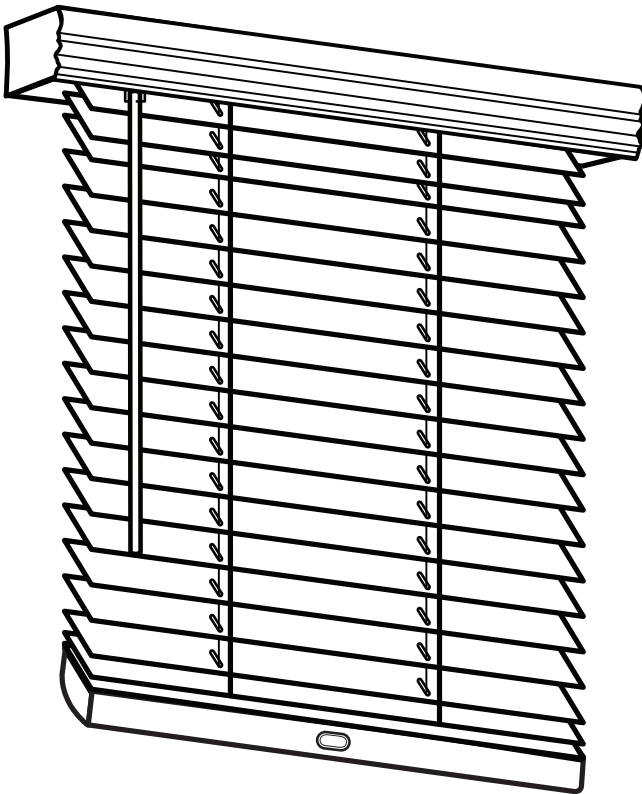


SMITH & NOBLE

STEP BY STEP INSTALLATION INSTRUCTIONS

Durawood Blinds



Easy Lift Cordless

Everything You Need

A Smooth Set-Up

We want you to love your new blinds and that includes having a smooth installation experience. If you encounter any difficulties or questions, please reach out to us for help. It's why we're here. Call us at 800.248.8888 or visit www.smithandnoble.com/knowhow for more info on installation.

We recommend you hold on to all packaging until your blinds are fully installed. Should something go wrong (we strongly doubt it), we want any potential returns to be a painless as possible.

Customer Service Hours

Monday – Friday: 6am – 7pm PT

Saturday – Sunday: 7am – 4pm PT

smithandnoble.com



Table of Contents

<i>Step 1 -</i>	Getting Started	3
<i>Overview -</i>	Easy Lift Cordless Control	4
<i>Step 2 -</i>	Mounting the Brackets	5 - 6
	Spacer Blocks	6
	Extension Brackets	7
<i>Step 3 -</i>	Inserting the Headrail	7
<i>Step 4 -</i>	Push Button Operation	8
<i>Step 5 -</i>	Attaching the Valance	8
<i>Step 6 -</i>	Attaching the Wand	9
	Leveling the Slats	10
	Care & Cleaning	10
	Safety	10
	Warranty	Back Cover

Getting Started

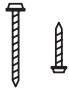
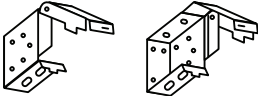



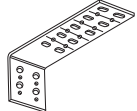


First, make sure you have all the parts and tools required to install your shades.

ALL THE HARDWARE YOU'LL NEED:

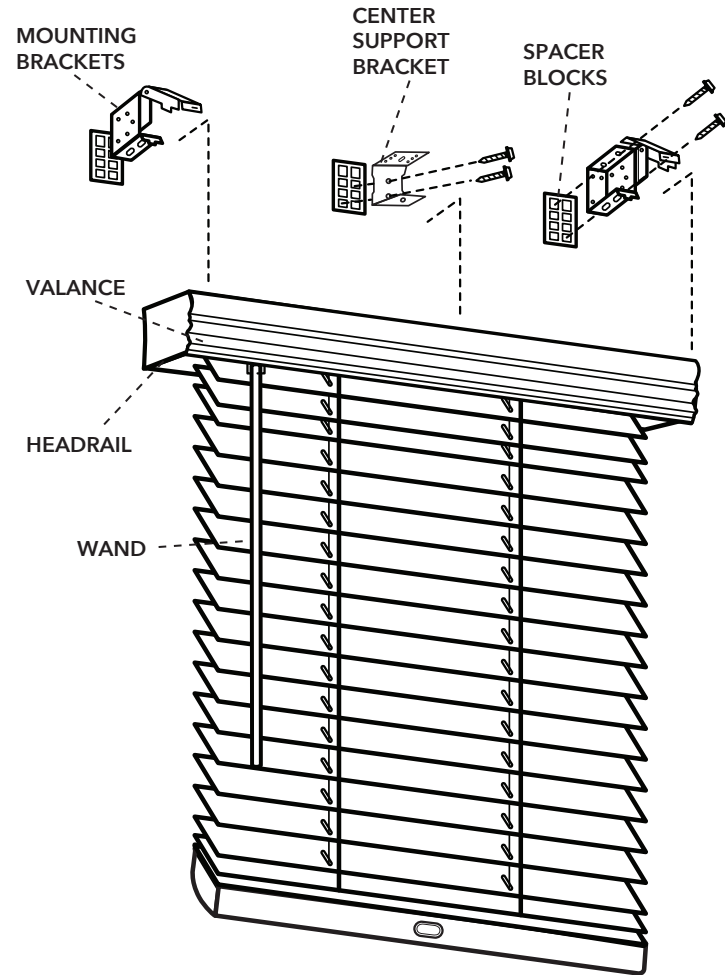
Pencil, screwdriver, ¼" nut driver, level, and a drill with a ⅛" drill bit.

Then find wooden studs where you'll want to attach the brackets; if you need to mount your shades to wallboard or plaster, use a secure fastener designed for hollow wall applications. For metal surfaces, pre-drill holes and use the included screws. For concrete, stone, brick, or tile surfaces, use a masonry drill and appropriate plugs, anchors, or screws.

It's important when selecting a fastener to make sure it's designed to support the weight of the shade. Follow the fastener manufacturer's instruction from there on out.

 <p>SCREWS</p>	 <p>MOUNTING BRACKETS</p>
 <p>POWER DRILL (NOT INCLUDED)</p>	 <p>CENTER SUPPORT BRACKET (OPTIONAL)</p>
 <p>LEVEL (NOT INCLUDED)</p>	 <p>EXTENSION BRACKET (OPTIONAL)</p>
 <p>SCREW DRIVER & PENCIL (NOT INCLUDED)</p>	 <p>SPACER BLOCKS (OPTIONAL)</p>

Easy Lift Cordless



Step 2 – Mounting Brackets

Inside Mount

All blinds require two mounting brackets (included). All 2-on-1 blinds receive one center support bracket. All 3-on-1 blinds receive two center support brackets. Center support brackets for 2-on-1 and 3-on-1 blinds should be placed over the gap between blinds. Place mounting brackets level and flush with window frame.

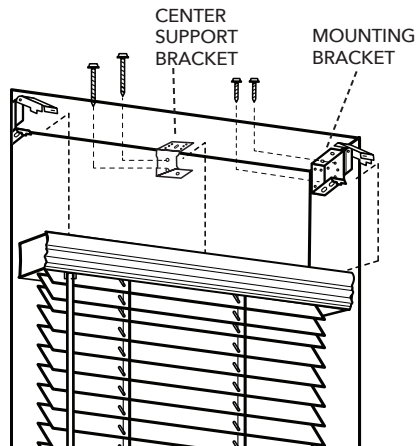
Screw into the window frame through the holes on the inside of the bracket as shown.

Always use all brackets supplied. All blinds over 48" wide require the use of center support brackets - be sure to mount center support bracket(s) in a position(s) that will not interfere with the lift mechanisms.

Always use at least two screws per bracket to ensure a strong, secure mount.

BLIND WIDTH	SUPPORT BRACKET QTY
up to 48"+	1/without extension bracket
up to 96"+	2/without extension bracket
up to 30"+	1/with extension bracket*
up to 60"+	2/with extension bracket*
up to 90"+	3/with extension bracket*

* When using extension brackets, certain widths require the use of one or more support brackets.



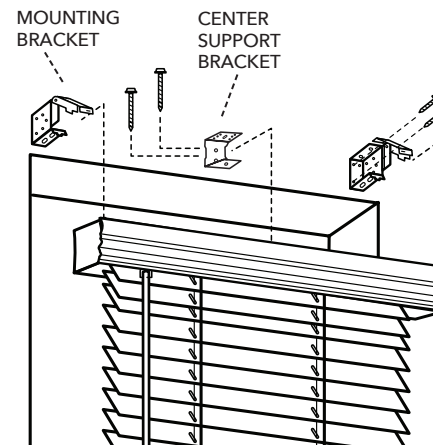
Step 2 – Mounting Brackets

Outside Mount

Hold the blind in the desired position and mark the window frame or ceiling 1/4" past each end of the headrail with a pencil.

Remove the blind and place the mounting brackets level with the pencil marks.

Be certain that the mounting brackets are aligned with each other. Securing with the screws provided.

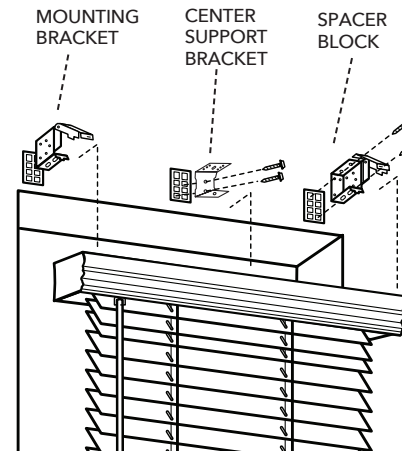


Spacer Blocks (optional)

Use spacer blocks or extension brackets to project the standard mounting brackets out over an obstruction (such as window moldings or ledges).

Align the holes in the back of the bracket to the holes in the spacer block and secure to the wall with screws.

Two spacer blocks per bracket may be used for additional projection.



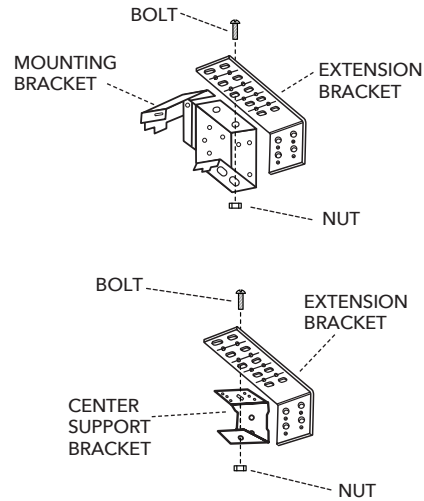
Outside Mount with Spacer Block (optional)

Optional Spacer block will project bracket 3/8".

Step 2 – Mounting

Extension Brackets (optional)

Extension brackets require a 2" flat surface for mounting. Nuts and bolts are provided for attachment.



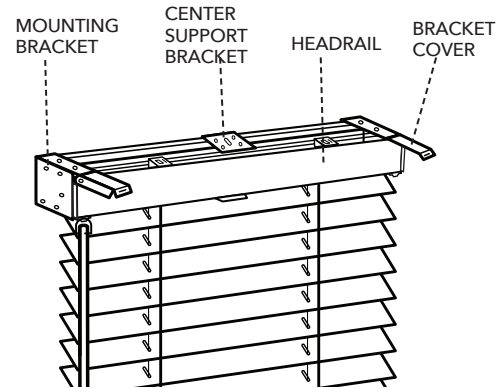
Step 3 – Inserting the Headrail

Inserting the Headrail

Position the headrail in the box-style mounting brackets as shown.

Push the blind into the mounting brackets until it won't go back any further.

Swing the covers down and snap them closed.



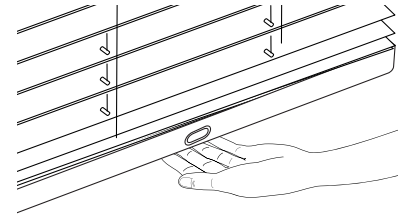
Step 4 – Push Button Operation

Push Button Operation

Press the button on the bottom rail to raise and lower the blind.

Continue to press the button until the blind is in the desired position.

The blind will stay in position when the button is released..

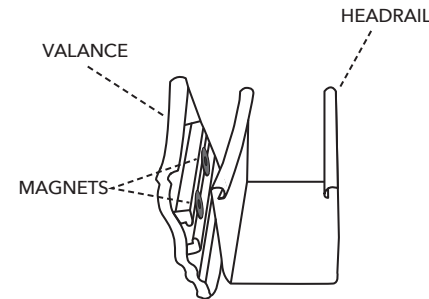


Step 5 – Attaching the Valance

Attach Valance

The valance comes with magnets already attached to the back. Simply snap the valance into place onto the headrail.

To remove the valance, putting your fingers behind the valance where the magnets are located, gently pull it towards you until the magnets pull away from the headrail.



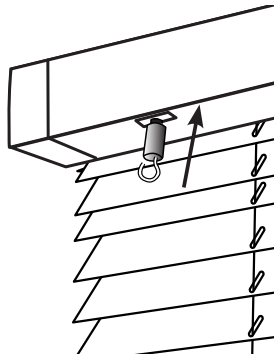
Step 6 – Attaching the Wand

Attach Wand

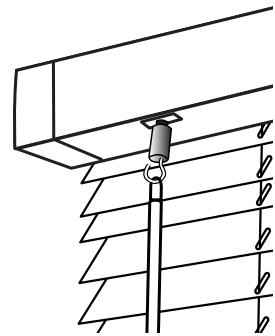
Slide the plastic sleeve up to expose the hook opening. (diag. 1)

Holding the plastic sleeve above the hook, slide the hole in the end of the wand onto the hook. (diag. 2)

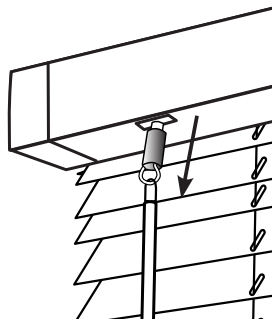
Slide the plastic sleeve down. (diag. 3)



diag. 1



diag. 2



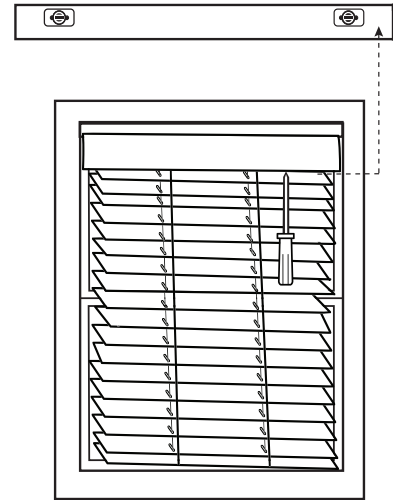
diag. 3

Leveling the Slats

Leveling the Slats

Using a flathead screwdriver, place it into the slot in the underside of the headrail.

Turn it to the right or left depending on which adjustment you need.



Care & Cleaning/Safety

Care & Cleaning

Occasional light vacuuming with a soft bristle attachment or gentle feather dusting is all that is required to keep your blinds looking fresh and neat. For maximum results, lower blinds to full length, then tilt slats until almost fully closed to dust. Repeat for reverse side of slats.

Safety First. Style Second To None™.

Great style should never come at the cost of safety. Every Smith & Noble window treatment conforms strictly to today's safety standards, including permanent tie-down devices and built-in cord stops. To protect young children and pets, there's no better way to eliminate risk than to use one of our cordless products.



Child Safety

Warranty Service

The enjoyment of your window covering should be everlasting, which is why our products come with a limited lifetime warranty. The warranty applies to the original owner, requires a proof of purchase (hang on to your receipt!) and covers defects in material or craftsmanship. Hardware must have been properly installed. We reserve the right to determine if your hardware warrants a repair or a replacement. Visit smithandnoble.com/guarantee to see full details. In need of warranty service? Call us at **800.248.8888** and we'll arrange for a repair or replacement ASAP.
