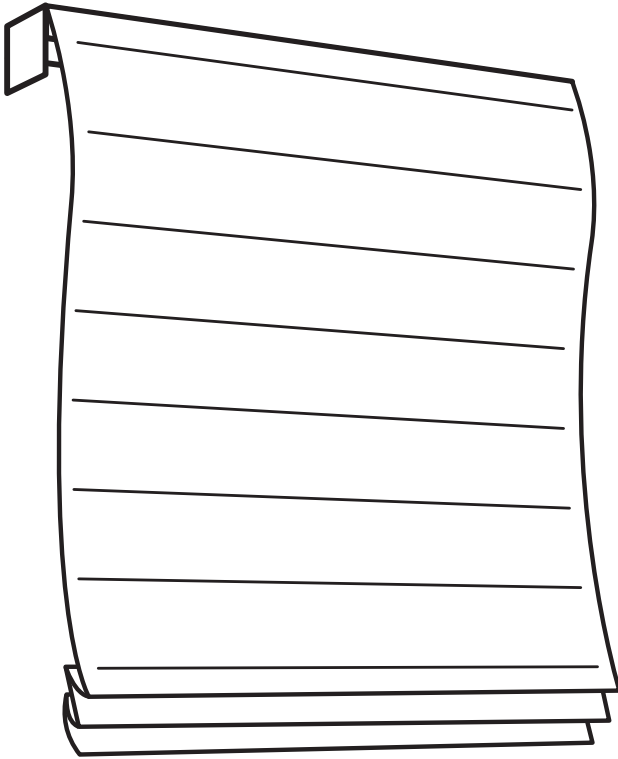


# SMITH & NOBLE

---

Step by Step Installation Instructions

## Fabric Shades



Cordless Control

---

---

# Everything You Need

## A Smooth Set-Up

We want you to love your new window coverings and that includes having a smooth installation experience. We recommend saving this guide. If you encounter any difficulties or questions, please reach out to us for help. It's why we're here. Call us at 800.248.8888 for more info on installation.

We recommend you hold on to all packaging until your window coverings are fully installed. Should something go wrong (we strongly doubt it), we want any potential returns to be a painless as possible.

---

### *Customer Service Hours*

Monday – Friday: 6am – 6pm PT

Saturday – Sunday: 7am – 4pm PT

[smithandnoble.com](http://smithandnoble.com)



---

## Table of Contents

<i>Step 1 -</i>	Getting Started .....	3
<i>Step 2 -</i>	Mounting the Brackets.....	4
<i>Step 3 -</i>	Operating your Shade .....	5
	Dressing Your Shade .....	5
	Troubleshooting.....	6
	Care & Cleaning .....	Back
	Safety .....	Back
	Warranty.....	Back

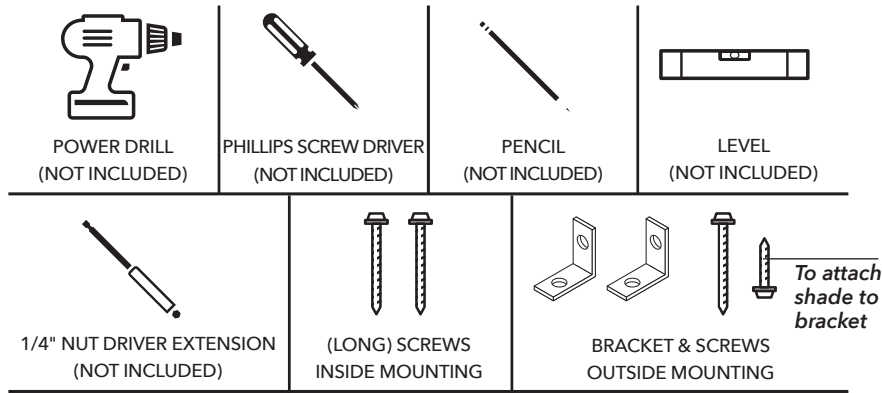
## Step 1 – Getting Started

### Getting Started

Before you begin, check the accompanying diagram to make sure you have all the parts you need.

**TOOLS YOU WILL NEED TO INSTALL YOUR HARDWARE:** Pencil, screwdriver, 1/4" nut driver, level, and a drill with a 7/64" drill bit.

*Note: It's important to monitor the amount of pressure you apply when using a drill. If the screws are too tight this may cause the screw itself to break off in the wall or window frame.*



*Inside mount shades will not have brackets.*

You'll need to make sure the surface you intend to install your hardware is sturdy enough to accommodate the brackets. If you're screwing directly into a surface this means locating wood studs that are strong enough to securely bond with the included screws. Otherwise, you'll need to use a secure fastener (as illustrated) but please note this piece is not included.

When selecting a fastener be sure it's designed to support the weight of the product being installed (if you're not sure, either give us a call or ask a professional at your local hardware store). Once obtained, follow the fastener manufacturer's instructions regarding proper installation.

**WALLBOARD OR PLASTER:** Hollow wall applications: Use a secure fastener designed specifically for this purpose.

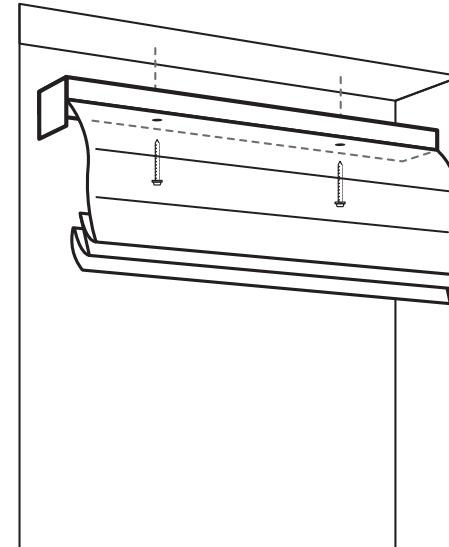
**METAL:** Prepare by pre-drilling holes and then using the included screws.

**CONCRETE, STONE, BRICK OR TILE:** Use a masonry drill and surface-specific plugs, anchors, or screws.



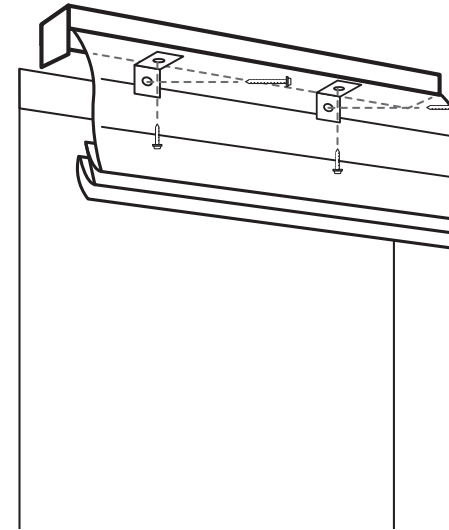
## Step 2 – Mounting the Brackets

### Inside Mount



Hold the shade inside the window frame so that the front edge of the shade and the front edge of the window line up. Don't forget to keep it centered. It should be a tight fit not much space to move around. With the shade positioned exactly as you'd like it, press a screw through each of the riveted holes on the headrail. The screws' tips will leave small indentations in the window frame to help you keep track. Remove the shade and use a 7/64" drill bit to pre-drill the mounting holes. Then attach the shade with the screws provided into the pre-drilled holes using the drill and 1/4" nut driver.

### Outside Mount



First, hold the shade above the window so that it's perfectly centered. Using a pencil, mark where the bottom of the headrail hits the window frame or wall and then place the provided brackets to window frame or wall, where they will be mounted. Mark one of the bracket holes with a pencil. (Some notes on accuracy: brackets should be level with one another, and 1/2" from the headrails edges.) Next, using the long screws provided, attach the brackets to the window frame or wall and place the headrail on top of the brackets. Then pierce the fabric and pre-drill the mounting holes using a 7/64" drill bit at each bracket location. Attach the shade to the brackets using the provided short screws.

2	up to 36"
2	36 1/8" - 72"

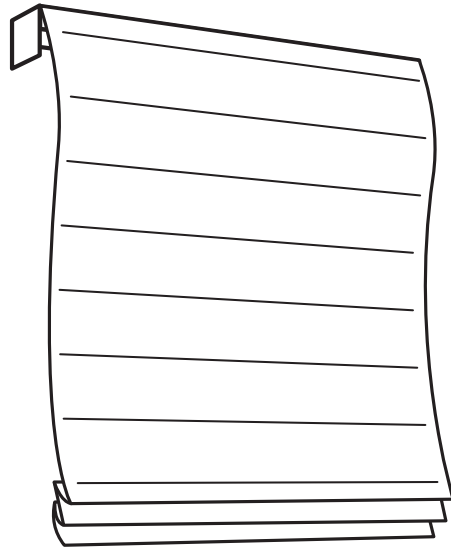
## Operating Your Shade

Opening and closing your new Smith & Noble shades is entirely hassle-free.

Always use the control handle on the back to operate your shade.

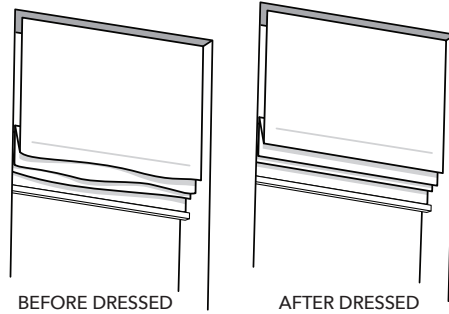
Just like a spring roller shade, a simple quick tug will get it started.

Never pull on the hem to operate your shade.



## Dressing Your Shade

Once installed, you'll want your Smith & Noble shades to look as stylized as they do in our catalog; to "dress" your shade simply smooth folds as you raise the shade. Your shade will gradually develop a pleat/fold memory and minimal dressing will be needed.



PROBLEM	SOLUTION
The shade will not raise or lower	Make sure the mounting brackets are not interfering with the mechanism on the headrail.
Only one side of the shade moves when raised or lowered	Make sure the lift cords on back of shade are properly attached.
Shade hangs uneven	Adjust cord levelers on back of shade by simply pushing in on the bottom to release cord. Slowly move up/down to adjust shade level, allows for a height adjustment up to 1/2" in either direction.
Adjust shade tension to a faster or slower speed.	Facing the front of the shade, the tension adjustment wheel is located on the right side of the shade. 1. Raise the shade fully to the top. 2. Grasp the tube with your right hand making sure it does not rotate. 3. Turn the white ribbed wheel (right side) away from you (toward window) one full rotation will INCREASE TENSION. Turn the white ribbed wheel (right side) from you (away from window) one full rotation will DECREASE TENSION.
Adjust stop point lift height of shade.	Facing the front of the shade, the stop adjustment wheel is located on the left side of the shade. The stop height is pre-set at factory 5" from the underside of the head rail to top of the first fold. 1. Grasp the tube with your right hand making sure it does not rotate. 2. Turn the white ribbed wheel (left side) away from you, toward the window to unlock pre-set height. 3. Position shade to the desired height, careful not to allow shroud cord to wrap around roller. 4. Turn the white ribbed wheel (left side) toward you, away from the window until the wheel stops rotating. The new stop height is now set.

*If these suggestions don't work, then please give us a call or visit our website.*

# Care & Cleaning / Safety

---

## Care & Cleaning

Occasional light vacuuming with a soft bristle attachment or gentle feather dusting is all that is required to keep your shades looking fresh and neat.

---

## Safety First. Style Second To None™.

Great style should never come at the cost of safety. Every Smith & Noble window treatment conforms strictly to today's safety standards, including permanent tie-down devices and built-in cord stops. To protect young children and pets, there's no better way to eliminate risk than to use one of our cordless products.



**Child Safety**

---

## Warranty Service

The enjoyment of your window covering should be everlasting, which is why our products come with a limited lifetime warranty. The warranty applies to the original owner, requires a proof of purchase (hang on to your receipt!) and covers defects in material or craftsmanship. Hardware must have been properly installed. We reserve the right to determine if your hardware warrants a repair or a replacement. Visit [smithandnoble.com/guarantee](http://smithandnoble.com/guarantee) to see full details. In need of warranty service? Call us at **800.248.8888** and we'll arrange for a repair or replacement ASAP.

---