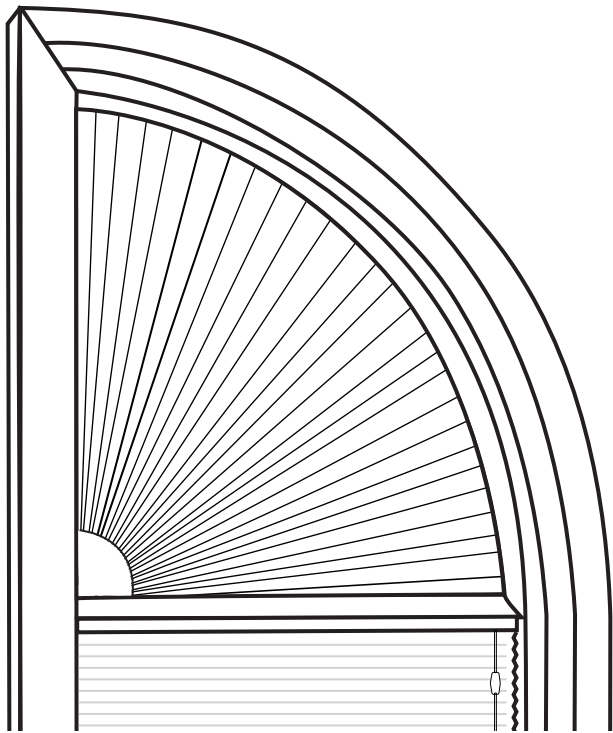


## Honeycomb Shades



Movable Quarter Round Arch

---

### Warranty Service

The enjoyment of your window coverings should be everlasting, which is why our products come with a limited lifetime warranty. The warranty applies to the original owner, requires a proof of purchase and covers defects in material or craftsmanship. Shades or blinds must have been properly installed. We reserve the right to determine if your window covering warrants a repair or a replacement. In need of warranty service? Call us at 800.248.8888 and we'll arrange for a repair or replacement ASAP.

---

---

# Everything You Need

## A Smooth Set-Up

We want you to love your new window coverings and that includes having a smooth installation experience. We recommend saving this guide. If you encounter any difficulties or questions, please reach out to us for help. It's why we're here. Call us at 800.248.8888 or visit [www.smithandnoble.com](http://www.smithandnoble.com) for help.

We recommend you hold on to all packaging until your window coverings are fully installed. Should something go wrong (we strongly doubt it), we want any potential returns to be a painless as possible.

---

### *Customer Service Hours*

Monday – Friday: 6am – 6pm PT

Saturday – Sunday: 7am – 4pm PT

[smithandnoble.com](http://smithandnoble.com)



---

## Table of Contents

<i>Step 1 -</i>	Getting Started . . . . .	3
<i>Overview -</i>	Movable Quarter Round Arch . . . . .	4
<i>Step 2 -</i>	Installing the Brackets . . . . .	5
<i>Step 3 -</i>	Installing the Rail . . . . .	6
<i>Step 4 -</i>	Installing the Cord Cleat . . . . .	6
<i>Step 5 -</i>	Operating the Shade . . . . .	7
<i>Step 6 -</i>	Removing the Shade . . . . .	8
	Care & Cleaning . . . . .	9
	Safety . . . . .	10
	Warranty . . . . .	Back Cover

## Getting Started

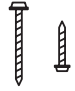
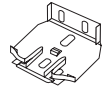
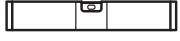
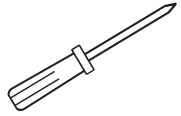


First, make sure you have all the parts and tools required to install your shades.

### ALL THE HARDWARE YOU'LL NEED:

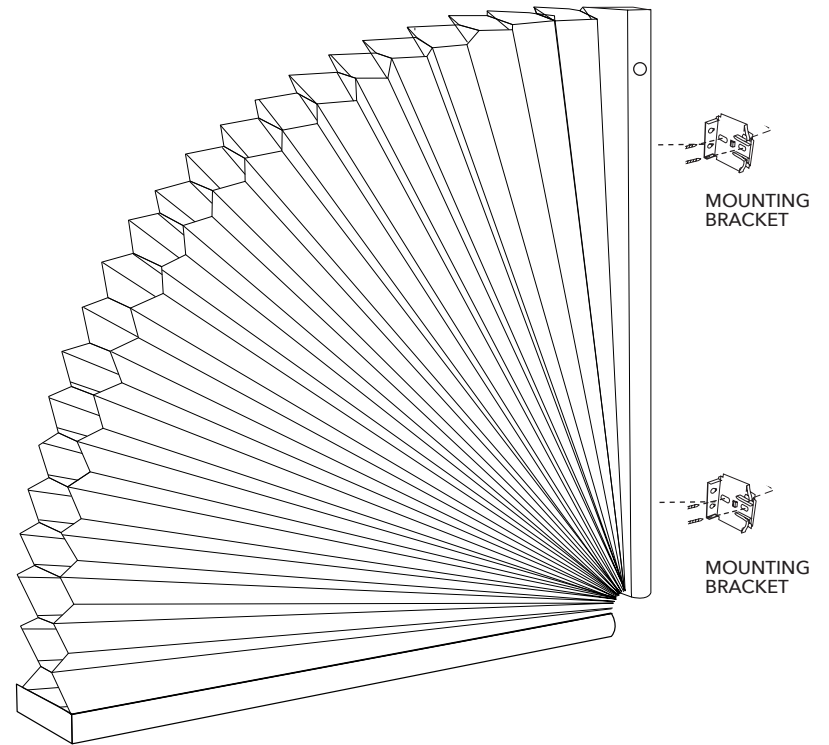
Pencil, screw-driver, 1/4" nut driver, level, and a drill with a 1/8" drill bit.

Then find wooden studs where you'll want to attach the brackets; if you need to mount your shades to wallboard or plaster, use a secure fastener designed for hollow wall applications. For metal surfaces, pre-drill holes and use the included screws. For concrete, stone, brick, or tile surfaces, use a masonry drill and appropriate plugs, anchors, or screws.

It's important when selecting a fastener to make sure it's designed to support the weight of the shade. Follow the fastener manufacturer's instruction from there on out.

 <p>SCREWS</p>	 <p>STANDARD MOUNTING BRACKET</p>
 <p>LEVEL (NOT INCLUDED)</p>	 <p>SCREWDRIVER (NOT INCLUDED)</p>
 <p>PENCIL (NOT INCLUDED)</p>	 <p>POWER DRILL (NOT INCLUDED)</p>

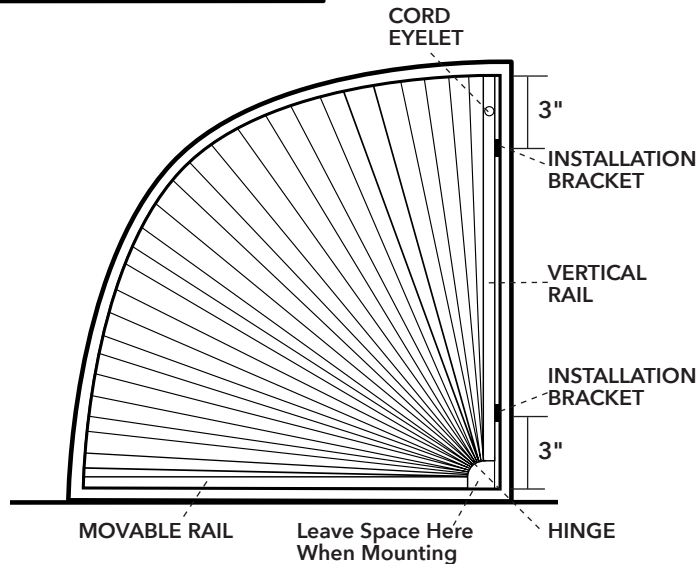
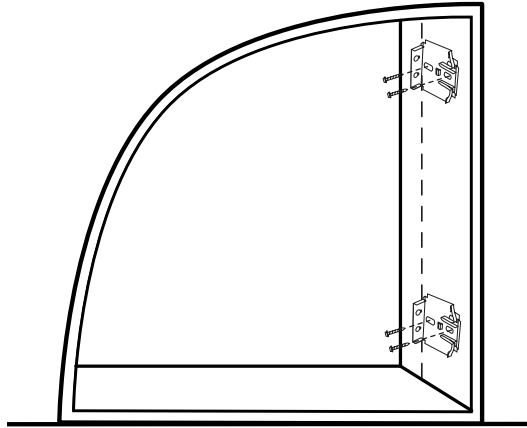
## Movable Quarter Round Arch



## STEP 2 – INSTALLING THE BRACKETS

### Quarter Round Bracket Installation

Mount the brackets to the inside vertical surface. Place one bracket approximately 3" from the bottom and the other bracket 3" from the top.



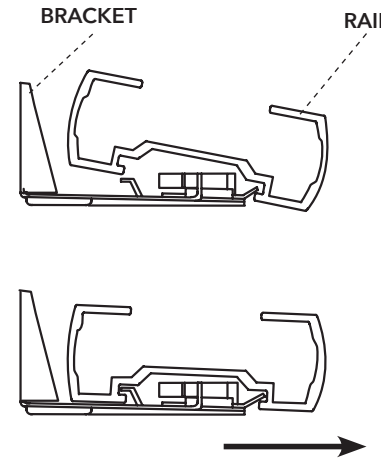
## STEP 3 – INSTALLING THE RAIL

### Quarter Round Rail Installation into the Bracket

The cord eyelet is on the top of the vertical rail.

Hold the shade up near the brackets and insert the front clip of the bracket into the front groove of the rail.

Push the rail back and toward the bracket until the back clips of the bracket are inserted in the back groove of the rail.



## STEP 4 – CORD CLEAT INSTALLATION

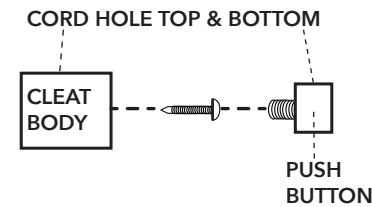
Mount the spring loaded cord cleat on the frame or wall at a convenient height.

Disassemble the cord cleat by pulling the push button out from the cleat body. Then install with the screw provided.

Replace the push button in the cleat body.

Push the button all the way in and string the single shade cord through the cleat.

Add the tassel.



## STEP 5 – OPERATING THE SHADE

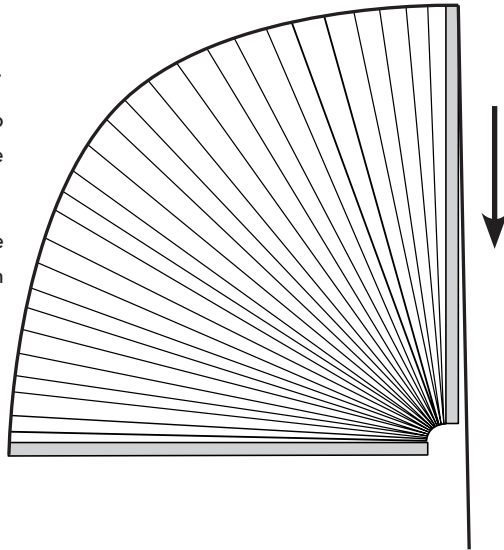
### Quarter Round Arch Operation

Pull the cord down to bring the shade to a stacked position.

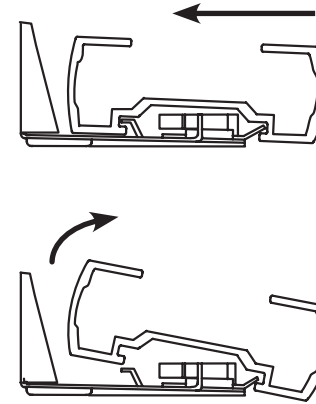
The shade stacks against the vertical rail.

Push the button in on the cord cleat to release the cord and lower the shade across the window.

**WARNING:** To avoid possible strangulation, keep cords out of reach of children.



## STEP 6 – REMOVING THE SHADE



Push the rail in toward the window.

Rotate the back of the rail away from the bracket.

As you release the brackets, support the rail to keep it from falling.

### Care & Cleaning

Occasional light vacuuming with a soft bristle attachment or gentle feather dusting is all that is required to keep your blinds looking fresh and neat.

For problem stains, the shade can be removed from the mounting brackets and soaked in warm water.

When damp, raise the shade tightly to re-crisp pleats.

Before using anything stronger than lukewarm water and mild detergent, test and unobtrusive corner of the shade.

### Safety First. Style Second To None™

Great style should never come at the cost of safety. Every Smith & Noble window treatment conforms strictly to today's safety standards, including permanent tie-down devices and built-in cord stops. To protect young children and pets, there's no better way to eliminate risk than to use one of our cordless products.



**Child Safety**