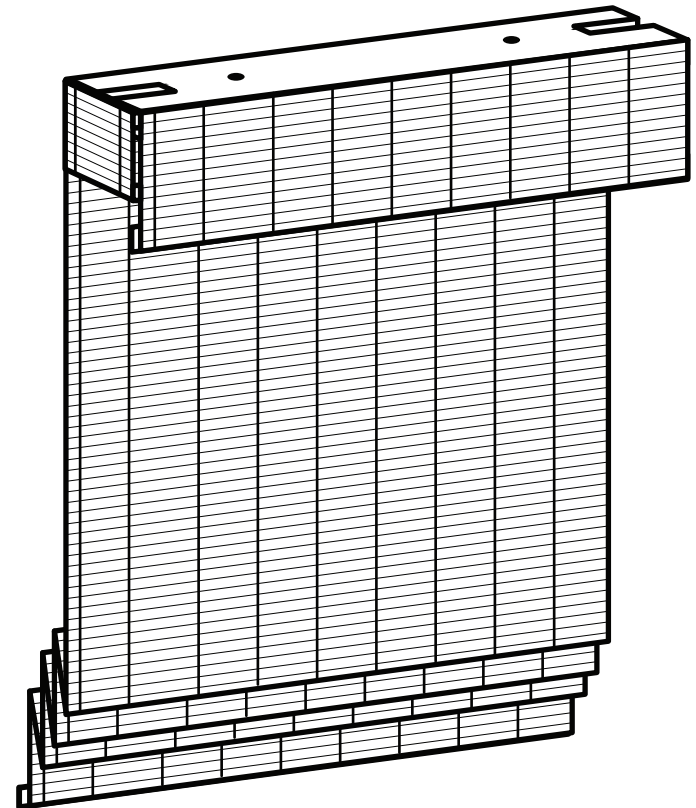


STEP BY STEP INSTALLATION INSTRUCTIONS

## Natural Woven Cordless Shades



Cordless Control  
2 on 1 Headrail with Cordless Control  
Operable Lining with Cordless Control

---

# Everything You Need

## A Smooth Set-Up

We want you to love your new window coverings and that includes having a smooth installation experience. If you encounter any difficulties or questions, please reach out to us for help. It's why we're here. Call us at 800.248.8888 or visit [www.smithandnoble.com/knowhow](http://www.smithandnoble.com/knowhow) for more info on installation.

We recommend you hold on to all packaging until your window coverings are fully installed. Should something go wrong (we strongly doubt it), we want any potential returns to be a painless as possible.

---

### *Customer Service Hours*

Monday – Friday: 6am – 6pm PT

Saturday – Sunday: 7am – 4pm PT

[smithandnoble.com](http://smithandnoble.com)



---

## Table of Contents

<i>Step 1</i> - Getting Started . . . . .	3
<i>Overview</i> - Cordless Shades . . . . .	4
<i>Step 2</i> - Mounting the Brackets . . . . .	5 - 6
<i>Step 3</i> - Operating the Shade . . . . .	7
Hold Down Brackets (optional) . . . . .	8
Troubleshooting . . . . .	9
Care & Cleaning . . . . .	10
Safety . . . . .	10
Warranty . . . . .	Back Cover

## Getting Started





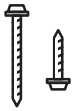
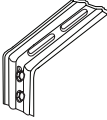
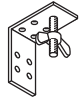
First, make sure you have all the parts and tools required to install your shades.

### ALL THE HARDWARE YOU'LL NEED:

Pencil, screw-driver, 1/4" nut driver, level, and a drill with a 1/8" drill bit.

Then find wooden studs where you'll want to attach the brackets; if you need to mount your shades to wallboard or plaster, use a secure fastener designed for hollow wall applications. For metal surfaces, pre-drill holes and use the included screws. For concrete, stone, brick, or tile surfaces, use a masonry drill and appropriate plugs, anchors, or screws.

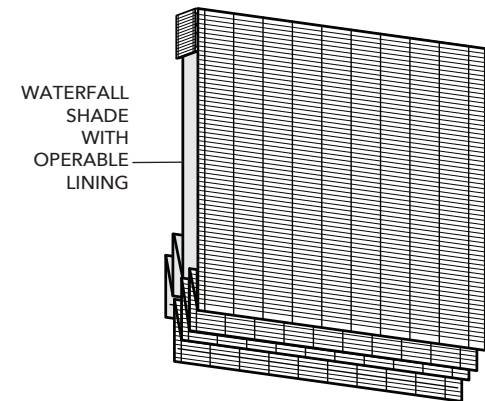
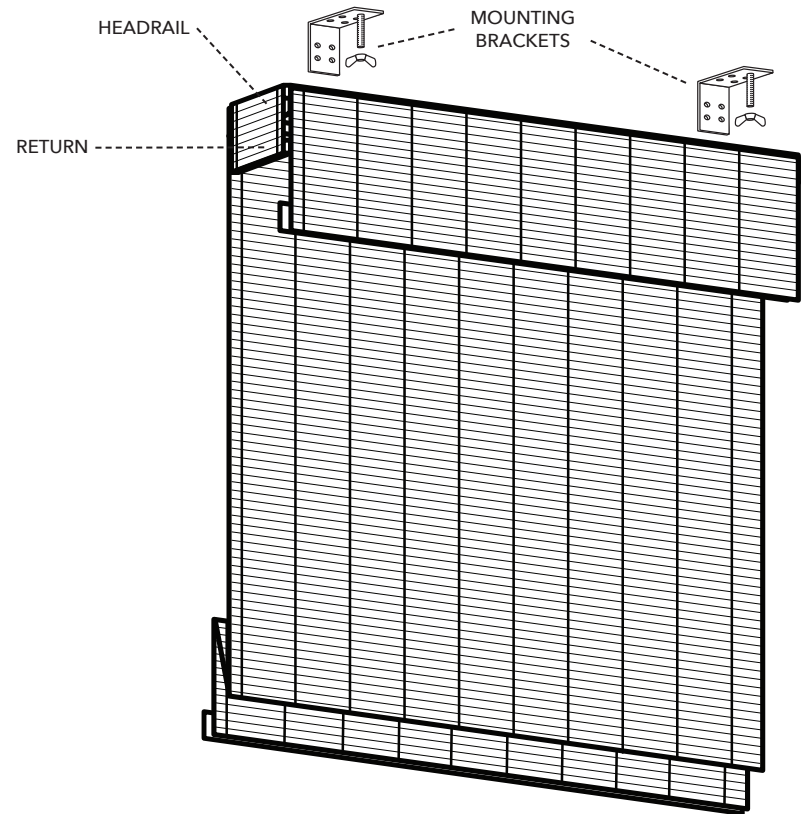
It's important when selecting a fastener to make sure it's designed to support the weight of the shade. Follow the fastener manufacturer's instruction from there on out.

 POWER DRILL (NOT INCLUDED)	 SCREW DRIVER (NOT INCLUDED)	 PENCIL (NOT INCLUDED)	 LEVEL (NOT INCLUDED)
 SCREWS	 EXTENSION BRACKETS (REQUIRED FOR OPERABLE LINING)	 MOUNTING BRACKETS	

BRACKET QTY	SHADE WIDTH
2	up to 48"
3	48 1/8" – 72"
4	72 1/8" – 96"

Bracket quantity for 2 on 1 headrail shades is based on individual shade widths.

## Cordless Headrail



## Step 2 – Mounting Brackets

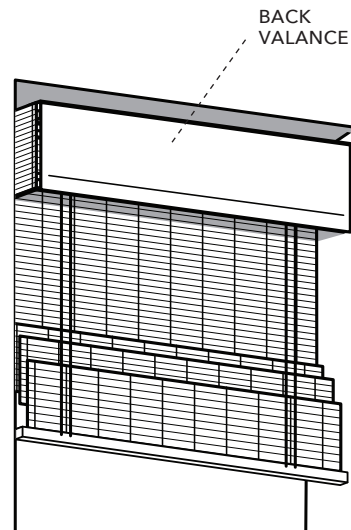
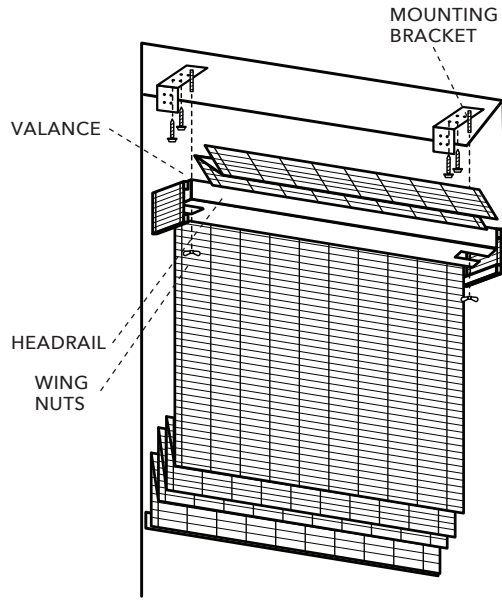
### Inside Mount – Standard

For an inside mount, hold the shade inside the window frame. Center the shade so the space between the end of the headrail and edges of the window frame are equal.

The brackets are mounted with two screws flat against the top sill surface. To fully recess the shade requires a flat surface with a minimum depth of 2 ¼". A minimum depth of 1 ¼" is required.

With the brackets installed and level with one another, remove the wing nuts from the bolts and place the shade onto the brackets. With the bolts coming through the mounting slots on each end of the headrail, reinstall the wing nuts onto the bolts and hand tighten.

**Please note:** Inside mount Waterfall-style shades will have a short valance in the back of the shade to hide mechanisms from street view.



BACK OF SHADE SHOWN

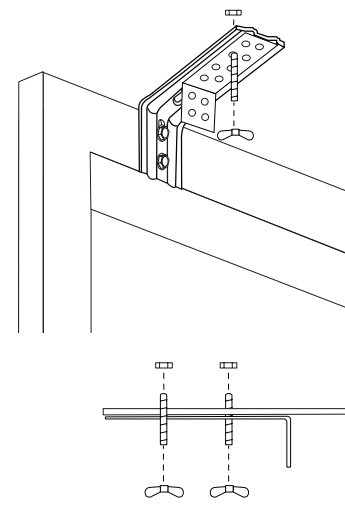
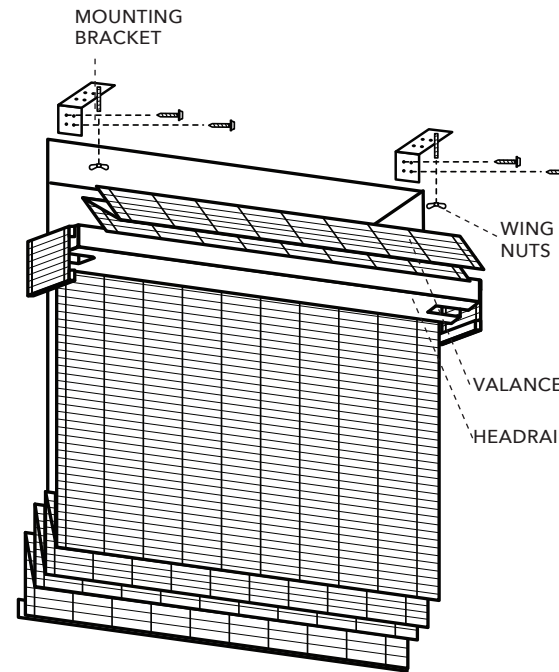
## Step 2 – Mounting Brackets

### Outside Mount – Standard

Center the shade over the window opening at the desired height. Mark the position of the ends of the headrail on the wall with a pencil.

Measure ½" in from the marks on each side and mark with a pencil. Place the outside edge of each bracket on these marks and attach with the screws provided using 2 screws per bracket.

With the brackets installed and level with one another, remove the wing nuts from the bolts and place the shade onto the brackets. With the bolts coming through the mounting slots on each end of the headrail, reinstall the wing nuts onto the bolts and hand tighten.



### Extension Bracket

Extension brackets are required for shades with operable lining and are optional for all other styles.

Extension brackets are used to project the back of the shade from the mounting surface.

Attach the Standard Mounting bracket to the Extension bracket as shown.

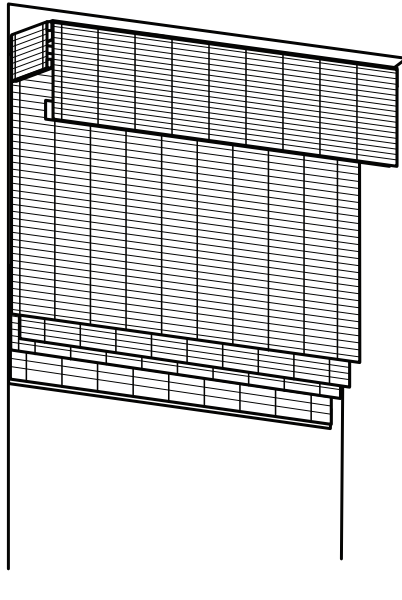
### Operating the Shade

To LOWER shade, pull down gently on the bottom bar to the desired position.

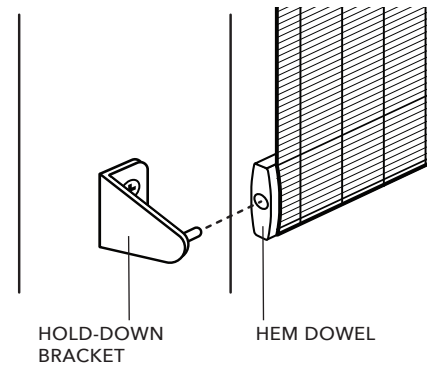
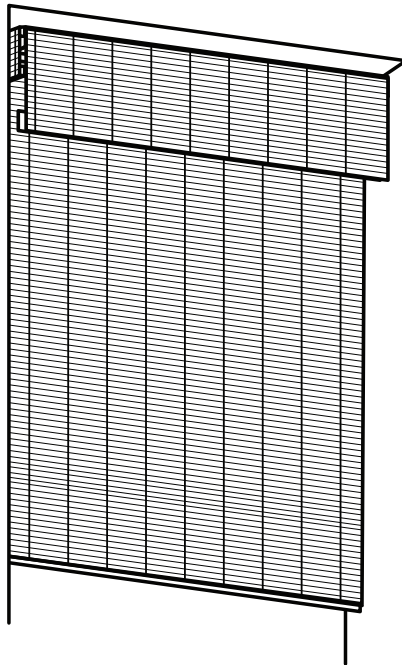
To RAISE shade, push up gently from the center of the bottom bar.

To prevent the cords from tangling in the headrail, make sure the shade does not encounter any obstructions when lowered.

RAISED



LOWERED



### Hold-Down Bracket (optional)

Hold-down brackets are used to secure the bottom hem of the shade in situations where excessive movement may be a problem.

To install, pre-drill the pin holes in each end of the hem dowel using a  $\frac{7}{64}$ " drill bit.

The depth of the holes should be half the length of the pin.

Lower the shade completely and mark the position where the hold-down bracket will be mounted.

Attach the hold-down bracket with the screws provided.

Be sure to release shade from hold down brackets prior to operating shade.

PROBLEM	SOLUTION
The shade will not raise or lower	Make sure the brackets are not interfering with the internal mechanism on the headrail.
Only one side of the shade moves when raised or lowered	Make sure the lift cords on back of shade are properly attached and are not tangled or caught.

*If these suggestions do not work, then please give us a call or visit our website.*

### Care & Cleaning

Occasional light vacuuming with a soft bristle attachment or gentle feather dusting is all that is required to keep your shades looking fresh and neat.

---

### Safety First. Style Second To None™.

Great style should never come at the cost of safety. Every Smith & Noble window treatment conforms strictly to today's safety standards, including permanent tie-down devices and built-in cord stops. To protect young children and pets, there's no better way to eliminate risk than to use one of our cordless products.



**Child Safety**

---

## Warranty Service

The enjoyment of your window coverings should be everlasting, which is why our products come with a limited lifetime warranty. The warranty applies to the original owner, requires a proof of purchase and covers defects in material or craftsmanship. Shades or blinds must have been properly installed. We reserve the right to determine if your window covering warrants a repair or a replacement. In need of warranty service? Call us at 800.248.8888 and we'll arrange for a repair or replacement ASAP.

---