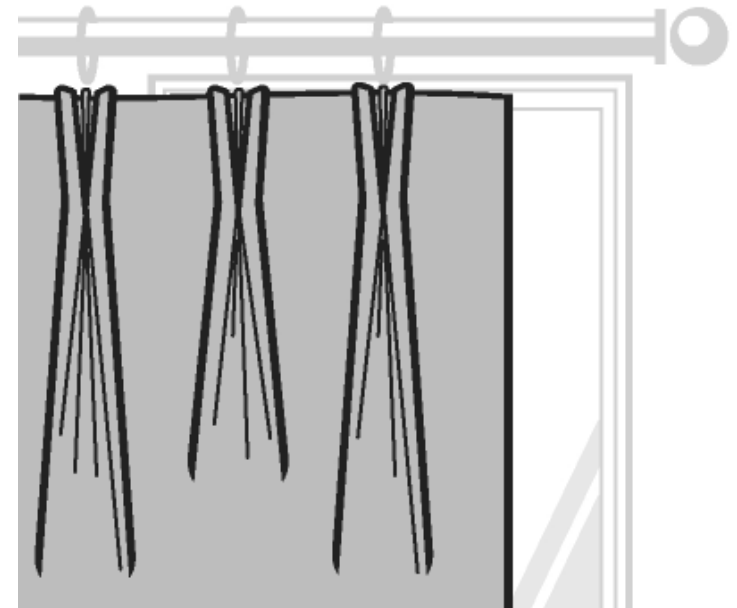


Step by Step Installation Instructions

## Pleated Drapery



---

### Warranty Service

The enjoyment of your window coverings should be everlasting, which is why our products come with a lifetime warranty. The warranty applies to the original owner, requires a proof of purchase and covers defects in material or craftsmanship. Shades or blinds must have been properly installed. We reserve the right to determine if your window covering warrants a repair or a replacement. In need of warranty service? Call us at 800.248.8888 and we'll arrange for a repair or replacement ASAP.

---

Single Pleat, X-Pleat, Modern Pleat,  
Parisian Pleat and Pinch Pleat

---

# Everything You Need

## A Smooth Set-Up

We want you to love your new drapery and that includes having a smooth installation experience. We suggest saving this guide. If you encounter any difficulties or questions, please reach out to us for help. It's why we're here. Call us at 800.248.8888 for more info on installation.

We recommend you hold on to all packaging until your drapery is fully installed. Should something go wrong (we strongly doubt it), we want any potential returns to be a painless as possible.

---

### *Customer Service Hours*

Monday – Friday: 6am – 6pm PT

Saturday – Sunday: 7am – 4pm PT

[smithandnoble.com](http://smithandnoble.com)



---

## Table of Contents

<i>Step 1 -</i>	Getting Started . . . . .	3
<i>Overview -</i>	Decorative and Traversing Rods . . . . .	4
<i>Step 2 -</i>	Installing Pleated Drapery . . . . .	5 - 6
<i>Step 3 -</i>	Breaking the Buckram . . . . .	7
<i>Step 4 -</i>	Dressing the Drapery . . . . .	8
<i>Step 4 -</i>	Setting the Pleats . . . . .	8
Accessories	Carriers & Wand . . . . .	9
Care & Cleaning . . . . .	Back Cover	
Warranty . . . . .	Back Cover	

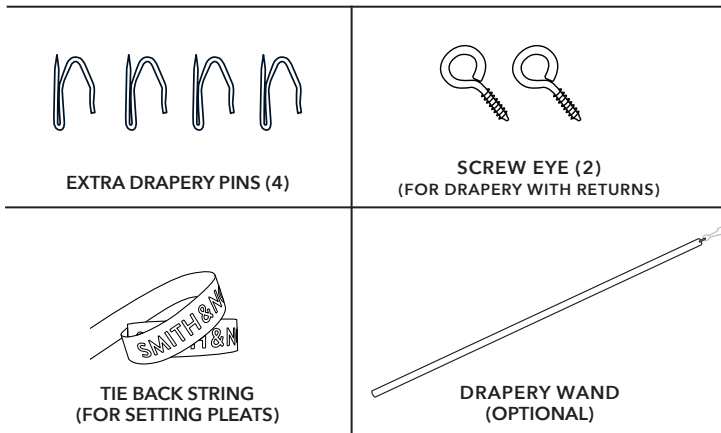
Parts & Tools

Please follow instructions for hardware rod installation and read through all instructions carefully before you begin.

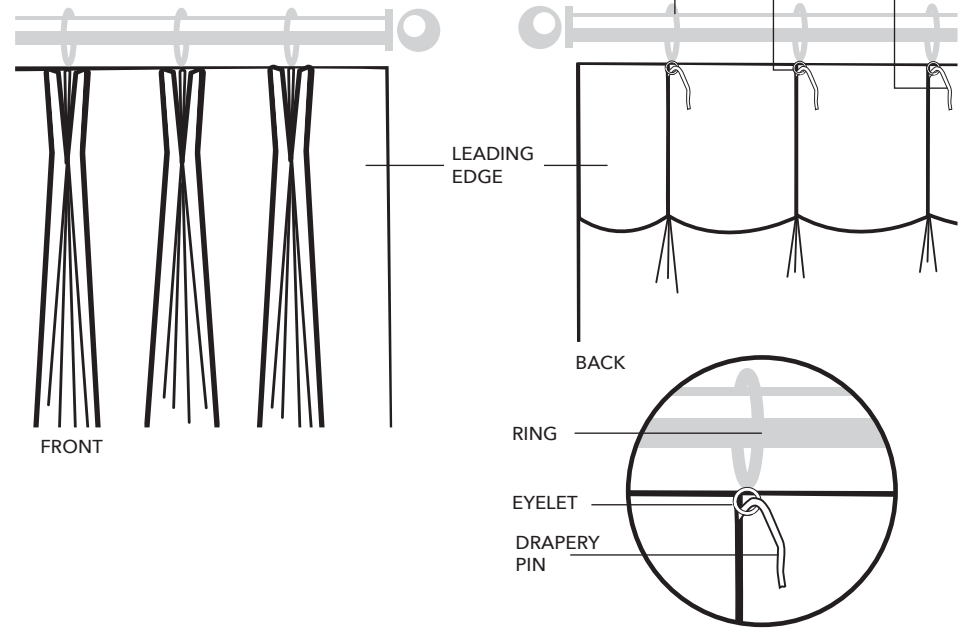
Carefully remove your new draperies from their packaging. Use caution as drapery pins have been pre-inserted into pleats of drapery so it is ready to hang on either a Decorative Rod with Rings or a Traversing Track with carriers.

We recommend you keep packaging until your hardware and drapery is fully installed.

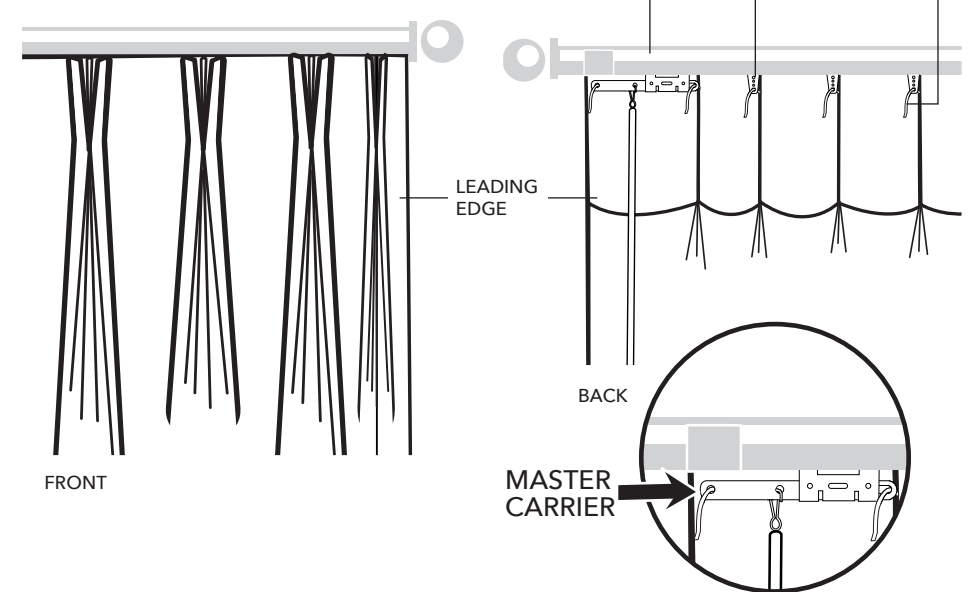
If you should need help or have any questions call us at 800.248.8888 for more info on installation.



Decorative Rod and Rings



Traversing Drapery Track



Installing your Pleated Drapes

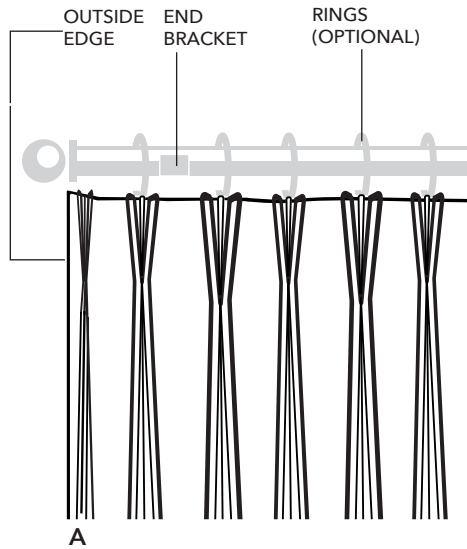
With drapery rod already installed, insert drapery pins through the eyelets of the rings/carriers.

You should begin hanging your draperies starting from the leading edge working outwards towards the outside edge or return.

When installing on a decorative rod with rings, the last ring should be positioned to the outside of the end bracket. (A)

When installing on a decorative rod with carriers, the first 2 pins go on the master carrier. (B)

NOTE: Once you have inserted drapery pins in rings/carriers, you may want to pinch the drapery pins closed to prevent pins from falling out of eyelets.

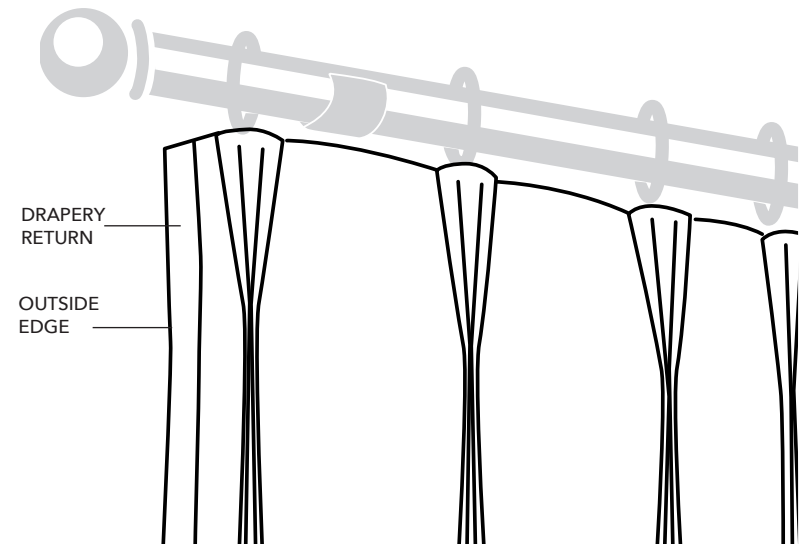
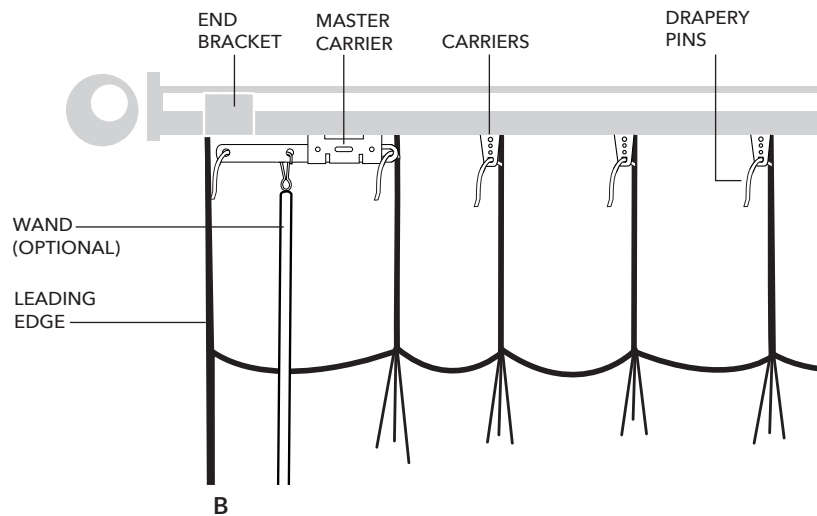
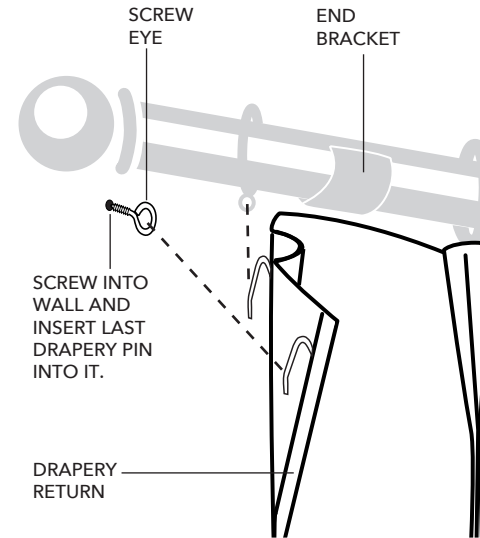


Draperies with Returns

For draperies with a return, you will pin the last pleat to the final ring/carrier and the return will get attached to the screw eye provided.

The return is the flat fabric following after the last pleat. The screw eye should screw easily into drywall.

The return allows for better light control and insulation or when you can see behind your draperies from the side.



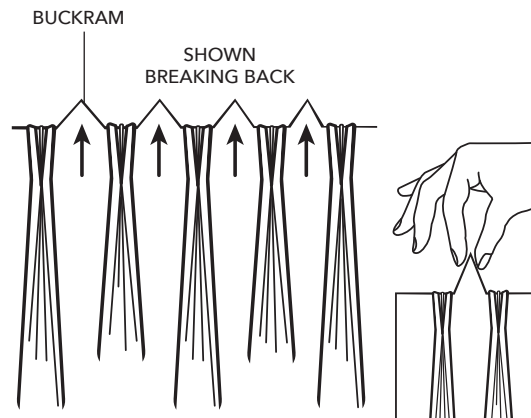
### Styling your Drapery Header

Now that your drapery is hanging from rings or carriers you can style the header (top of drapery) by "Breaking the Buckram". This is the practice of creating the buckram (the stiffener sewn in the drapery header, as shown in the illustration(s) below. Breaking the Buckram will allow the drapery to stack properly and gain memory.

#### Decorative Rods

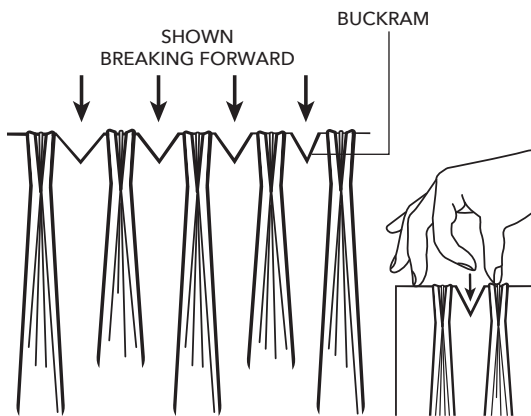
When the drapery hangs below the rod and the rod is visible, you will break the buckram to the back towards the wall or window.\*

For double layer drapery, break the buckram on the front drapery to the front and on the back drapery to the back to prevent the drapery from rubbing when operating it.



#### Non-Decorative Traverse Rods

When the drapery sits in front and covers the rod, you will break the buckram forward into the room.



\* If there are obstructions like molding, and the drapery will rub against it, then break it to the front.

### Dressing your Drapery

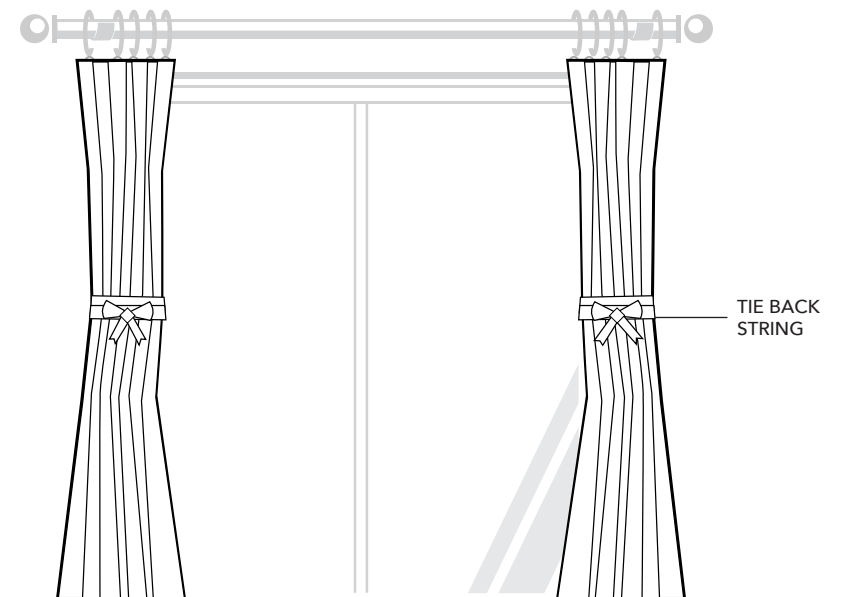
Once your draperies are installed, most wrinkles and folds will hang out on their own. You may also use a garment/commercial steamer to help eliminate wrinkles depending on your fabric selection.

*There are some fabrics that should not be steamed, such as Linen and Rayon. Check your packaging sticker for Fabric Content.*

NOTE: All of our draperies are hand-pressed prior to shipping, however due to transit, some additional wrinkling may occur.

### Setting the Pleats

To set the pleats, open drapery completely making sure that they are stacked neatly. Using the tie back string provided, tie them in the open position and leave them tied for 2 to 3 days. This will allow the pleats to set properly and gain memory.

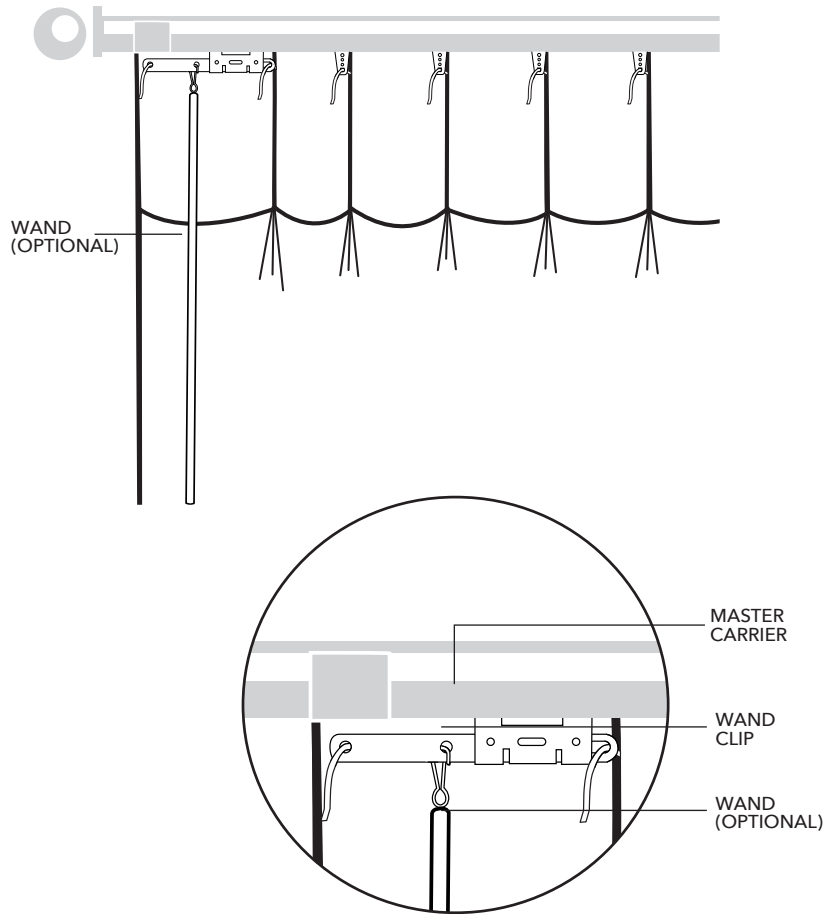


### Wand/Baton (optional)

If you have chosen to operate your drapery with a drapery wand you will need to attach it to the eyelet and ring on the side you wish to open from.

The wand is attached to the master carrier or the lead ring/eyelet and hangs behind the drapery.

### Decorative Rod and Rings



### Care & Cleaning

For stubborn stains and deep cleaning, professional dry cleaning is recommended.

If drapery is dusty, simply vacuum using an upholstery attachment.

### Traversing Drapery Track

