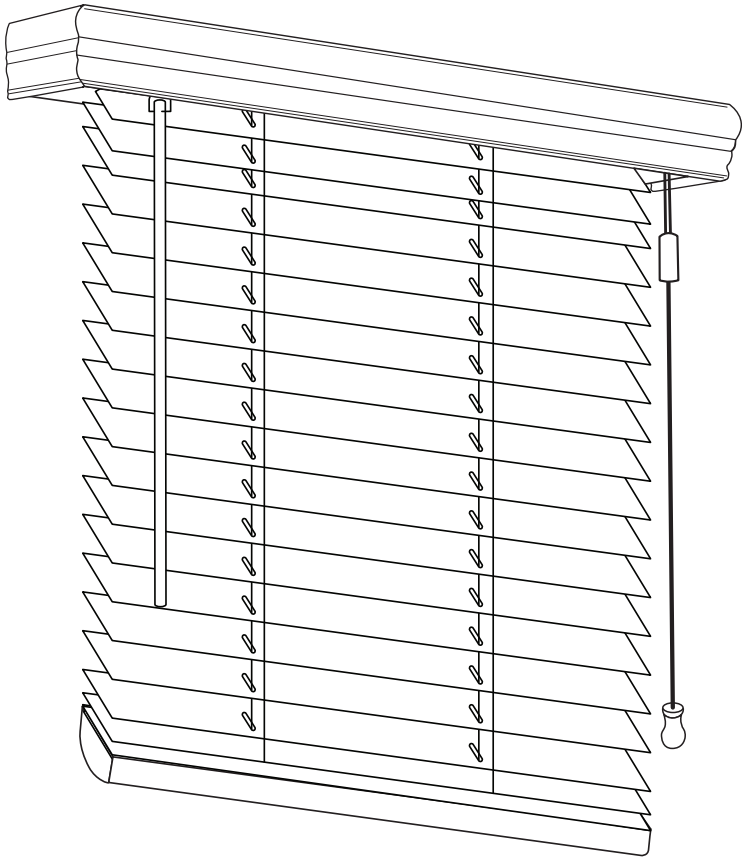


SMITH & NOBLE

STEP BY STEP INSTALLATION INSTRUCTIONS

Durawood Blinds



Standard Lift

Everything You Need

A Smooth Set-Up

We want you to love your new blinds and that includes having a smooth installation experience. If you encounter any difficulties or questions, please reach out to us for help. It's why we're here. Call us at 800.248.8888 or visit www.smithandnoble.com/knowhow for more info on installation.

We recommend you hold on to all packaging until your blinds are fully installed. Should something go wrong (we strongly doubt it), we want any potential returns to be a painless as possible.

Customer Service Hours

Monday – Friday: 6am – 7pm PT

Saturday – Sunday: 7am – 4pm PT

smithandnoble.com



Table of Contents

<i>Step 1 -</i>	Getting Started	3
<i>Overview -</i>	Durawood Standard Lift	4
<i>Step 2 -</i>	Mounting the Brackets	5 - 6
	Spacer Blocks	6
	Extension Brackets	6
<i>Step 3 -</i>	Attaching the Valance	7
<i>Step 4 -</i>	Installing Hold-Down Brackets (optional)	7
	Operating the Blinds	8
	Care & Cleaning	10
	Child Safety	10
	Cord Hazard / Safety Warning	10
	Warranty	Back Cover

Getting Started

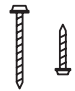
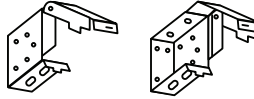



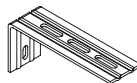


First, make sure you have all the parts and tools required to install your blinds.

ALL THE HARDWARE YOU'LL NEED:

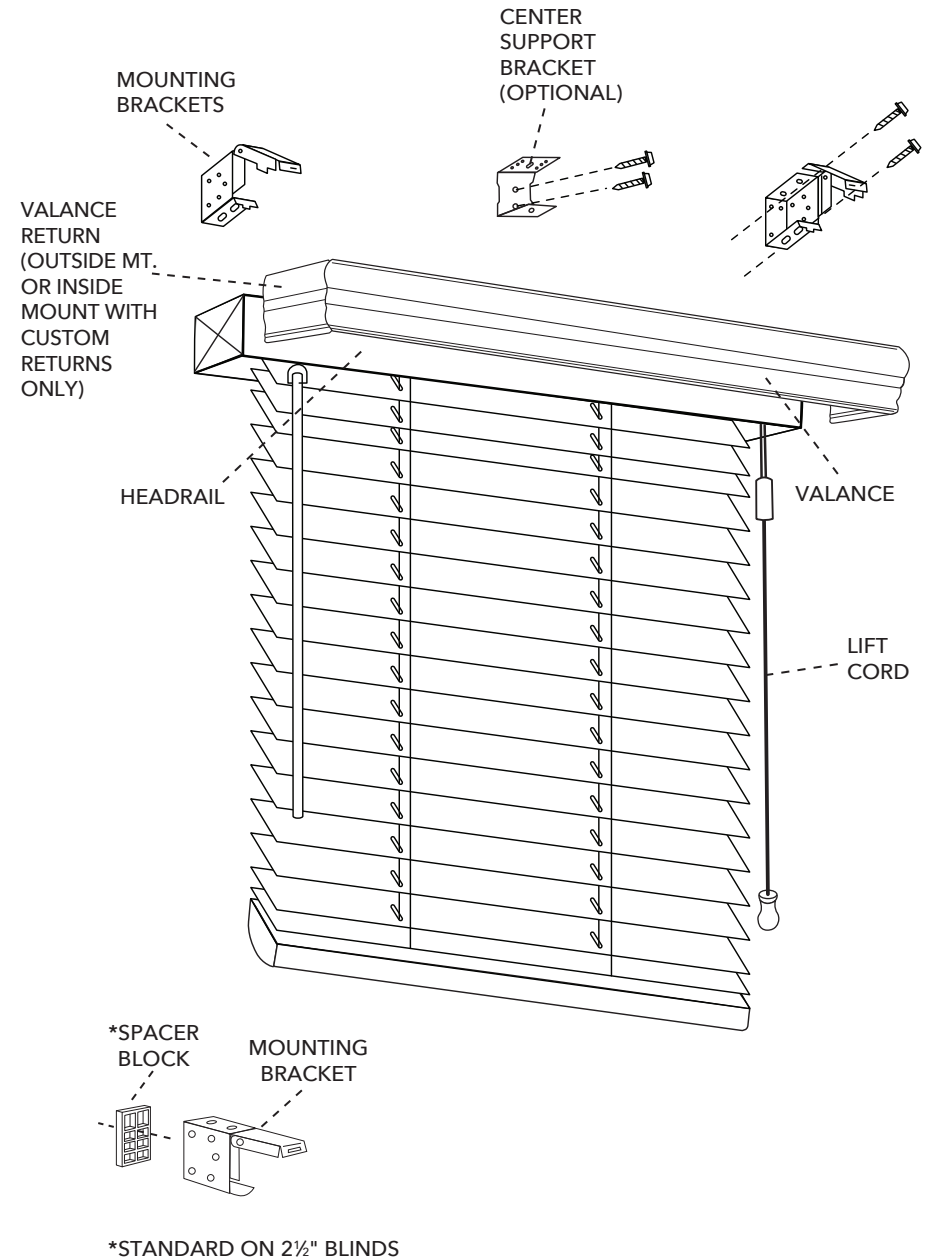
Pencil, screwdriver, ¼" nut driver, level, and a drill with a ⅛" drill bit.

Then find wooden studs where you'll want to attach the brackets; if you need to mount your shades to wallboard or plaster, use a secure fastener designed for hollow wall applications. For metal surfaces, pre-drill holes and use the included screws. For concrete, stone, brick, or tile surfaces, use a masonry drill and appropriate plugs, anchors, or screws.

It's important when selecting a fastener to make sure it's designed to support the weight of the shade. Follow the fastener manufacturer's instruction from there on out.

 <p>SCREWS</p>	 <p>MOUNTING BRACKETS</p>
 <p>POWER DRILL (NOT INCLUDED)</p>	 <p>CENTER SUPPORT BRACKET (OPTIONAL)</p>
 <p>LEVEL (NOT INCLUDED)</p>	 <p>EXTENSION BRACKET (OPTIONAL)</p>
 <p>SCREW DRIVER & PENCIL (NOT INCLUDED)</p>	 <p>SPACER BLOCKS (OPTIONAL)</p>

Durawood Blinds Standard Lift



Step 2 – Mounting the Brackets

All blinds require two mounting brackets (included). All 2-on-1 blinds receive one support bracket. All 3-on-1 blinds receive two support brackets. Center support brackets for 2-on-1 and 3-on-1 blinds should be placed between blinds.

NUMBER OF SUPPORT BRACKETS TO USE

BLIND WIDTH	SUPPORT BRACKET QTY
UP TO 48"+	1 / without extension bracket
UP TO 96"+	2 / without extension bracket
UP TO 30"+	1 / with extension bracket *
UP TO 60"+	2 / with extension bracket *
UP TO 90"+	3 / WITH EXTENSION BRACKET *

* When using extension brackets, certain widths require the use of one or more support brackets.

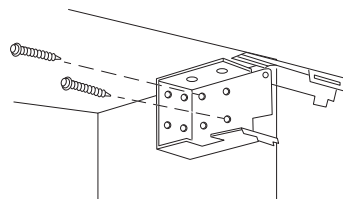
Inside Mount

Place mounting brackets level and flush with window frame.

Screw into the window frame through the holes on the inside of the bracket as shown.

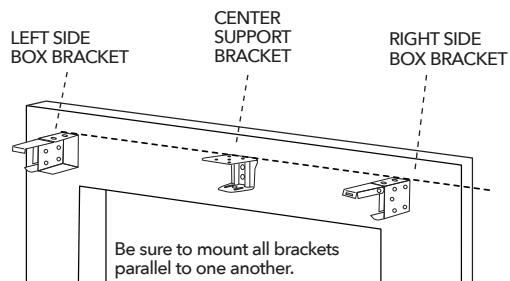
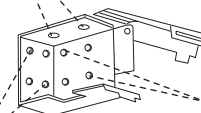
Always use all brackets supplied. All blinds over 60" wide require the use of center support brackets - be sure to mount support bracket(s) in position(s) that will not interfere with the lift mechanisms.

Always use at least two screws per bracket to ensure a strong, secure mount.



USE THESE HOLES FOR CEILING MOUNT

FOR SIDE MOUNT FOR OUTSIDE MOUNT



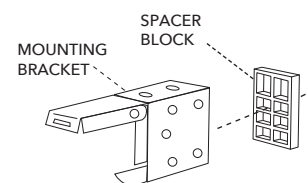
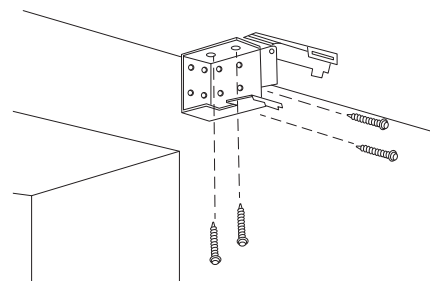
Step 2 – Mounting Brackets

Outside Mount

Hold the blind in the desired position and mark the window frame or ceiling 1/4" past each end of the headrail with a pencil.

Remove the blind and place the mounting brackets level with the pencil marks.

Be certain that the mounting brackets are aligned with each other. Secure the screws.

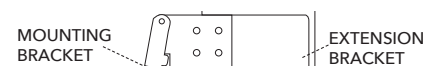
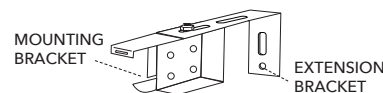
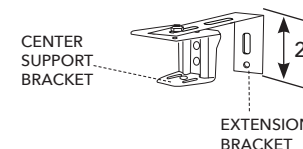


Spacer Blocks (optional)

Use spacer blocks or extension brackets to project the standard mounting brackets out over obstruction (such as window moldings or ledges).

Align the holes in the back of the bracket to the holes in the spacer block and secure to the wall with screws.

Two spacer blocks per bracket may be used for additional projection.



Extension Brackets (optional)

Extension brackets require a 2" flat surface for mounting.

Nuts and bolts are provided for attachment.

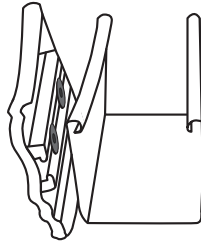


Step 3 – Attaching the Valance

After mounting the headrail, attach the valance directly onto it.

These blinds utilize a magnet system which allows you to simply place the valance onto the headrail.

No clips are used.



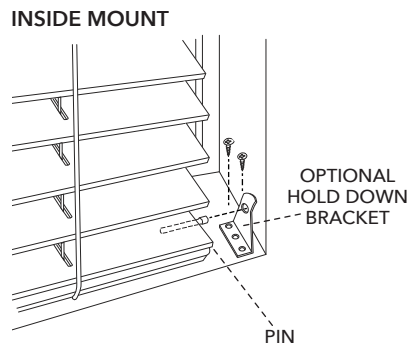
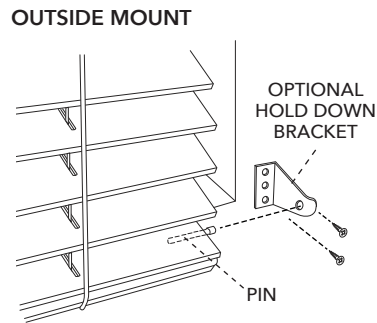
Step 4 – Installing the Hold Down Brackets (optional)

Use hold-down brackets to prevent blinds from swaying when mounted on doors or exposed to the wind.

Position the hold down clips so that they will align with the pins to secure the bottom rail.

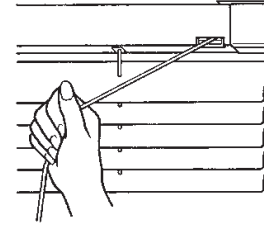
Screw hold-down bracket into the lower corner of the window jam or sill.

Drill a small hole in the center of the bottom rail to slip hold-down pin into blind.



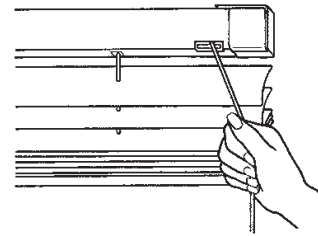
Operating the Blinds

TO RAISE OR LOWER BLIND



To raise or lower the blind, pull and angle the lift cords toward the middle of the blind. A slight tug will release the cord lock allowing the blind to be moved up or down.

TO LOCK BLIND



At the desired height, return the cord to the vertical position to re-engage the cordlock by pulling out, away from the blind.

When raising or lowering the blind, the slats should be horizontal (open).

Alignment

After installing the blinds, tilt the slats to the open position. Then raise and lower the blind several times. This motion will allow the cords and slats to properly align themselves.

Blind Removal

Remove the valance, then raise the slats to the headrail and lock them into place. Open both side mounting bracket door latches and pull forward to remove the blind.

Care & Cleaning

Occasional light vacuuming with a soft bristle attachment or gentle feather dusting is all that is required to keep your blinds looking fresh and neat. For maximum results, lower blinds to full length, then tilt slats until almost fully closed to dust. Repeat for reverse side of slats.

Safety First. Style Second To None™.

Great style should never come at the cost of safety. Every Smith & Noble window treatment conforms strictly to today's safety standards, including permanent tie-down devices and built-in cord stops. To protect young children and pets, there's no better way to eliminate risk than to use one of our cordless products.



Child Safety

	WARNING
	Cords on window covering products present a potential strangulation hazard.
	For child safety, consider cordless alternatives or products with inaccessible cords.
	ADVERTENCIA
	Las cuerdas y cadenas y persianas persentan un peligro de estrangulación.
	Para la seguridad de los niños, consider alternativas sin cuerdas o productos con cuerdas y cadenas inaccesibles.

Warranty Service

The enjoyment of your window coverings should be everlasting, which is why our products come with a limited lifetime warranty. The warranty applies to the original owner, requires a proof of purchase and covers defects in material or craftsmanship. Shades or blinds must have been properly installed. We reserve the right to determine if your window covering warrants a repair or a replacement. In need of warranty service? Call us at 800.248.8888 and we'll arrange for a repair or replacement ASAP.
