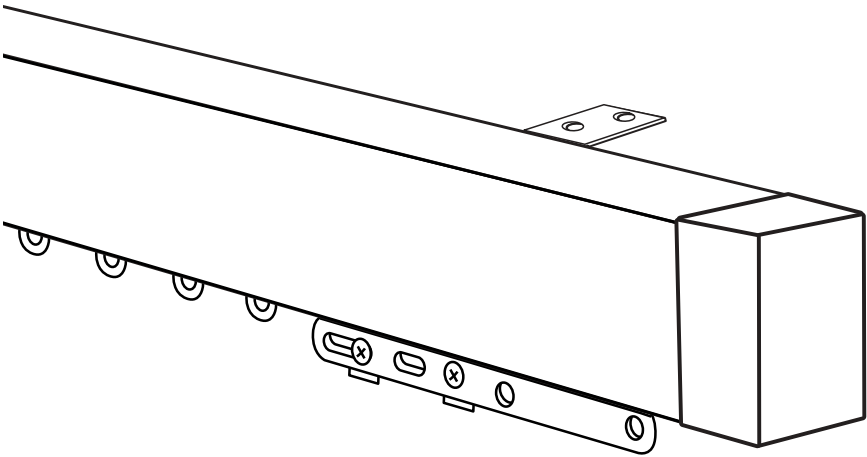


# SMITH & NOBLE

---

STEP BY STEP INSTALLATION INSTRUCTIONS

## Metro Chic Hardware



Ceiling Mount  
Single Rod Set

---

# Everything You Need

## A Smooth Set-Up

We want you to love your new hardware and that includes having a smooth installation experience. We suggest saving this guide. If you encounter any difficulties or questions, please reach out to us for help. It's why we're here. Call us at **800.248.8888** for more info on installation.

We recommend you hold on to all packaging until your hardware is fully installed. Should something go wrong (we strongly doubt it), we want any potential returns to be a painless as possible.

---

### Customer Service Hours

Monday – Friday: 6am – 6pm PT

Saturday – Sunday: 7am – 4pm PT

[smithandnoble.com](http://smithandnoble.com)



---

## Table of Contents

<i>Step 1 -</i>	Getting Started . . . . .	3
<i>Overview -</i>	Ceiling Mount Single Rod Set . . . . .	4
<i>Step 2 -</i>	Marking Bracket Placement . . . . .	5
<i>Step 3 -</i>	Attaching the Rod Connector. . . . .	6
<i>Step 4 -</i>	Adding or Removing Carriers & End Stops. . . . .	7
<i>Step 5 -</i>	Attaching Bracket to the Rod . . . . .	8
<i>Step 6 -</i>	Attaching the Finials . . . . .	9
<i>Step 7 -</i>	Attaching Brackets to the Ceiling . . . . .	10
<i>Step 8 -</i>	Attaching Drapery to Rod . . . . .	11
<i>Accessories -</i>	Baton/Wand . . . . .	12
	Care & Cleaning . . . . .	Back Cover
	Warranty . . . . .	Back Cover

## Tools & Parts

Before you begin, check the accompanying diagram to make sure you have all the parts you need. You'll need to make sure the surface you intend to install your hardware is sturdy enough to accommodate the brackets. If you're screwing directly into a surface this means locating wood studs that are strong enough to securely bond with the included screws. Otherwise, you'll need to use a secure fastener (as illustrated) but please note this piece is not included.

### WALLBOARD OR PLASTER:

Hollow wall applications: Use a secure fastener designed specifically for this purpose.



### METAL:

Prepare by pre-drilling holes and then using the included screws.





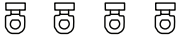


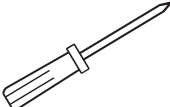

### CONCRETE, STONE, BRICK OR TILE:

Use a masonry drill and surface-specific plugs, anchors, or screws. When selecting a fastener be sure it's designed to support the weight of the product being installed (if you're not sure, either give us a call or ask a professional at your local hardware store). Once obtained, follow the fastener manufacturer's instructions regarding proper installation.

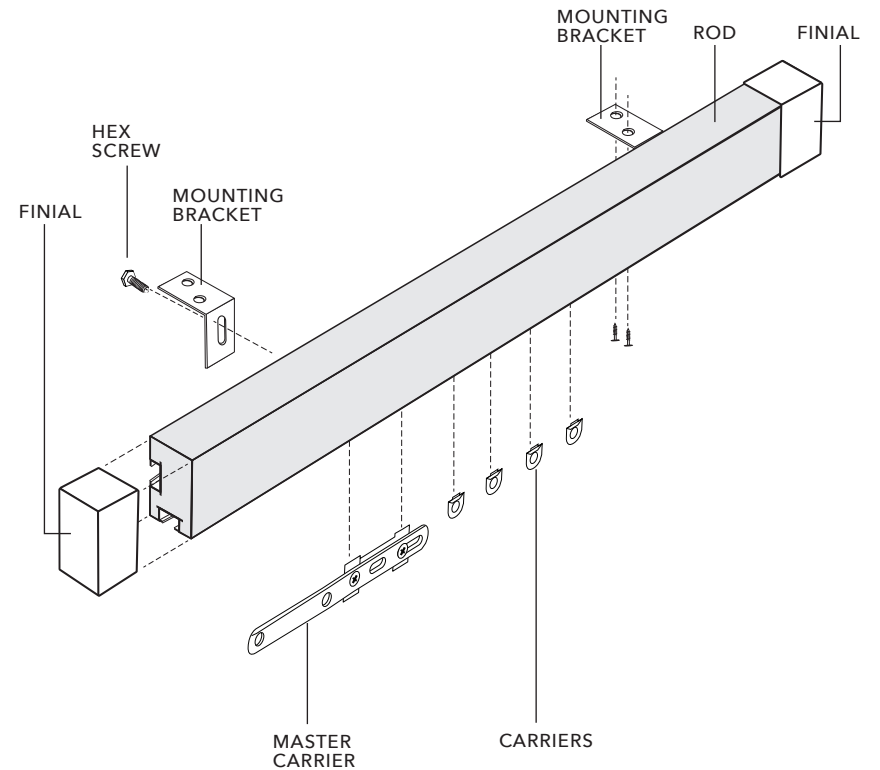
### TOOLS YOU WILL NEED TO INSTALL YOUR HARDWARE:

Pencil, screwdriver, 1/4" nut driver, level, and a drill with a 7/64" drill bit.

*Note: It's important to monitor the amount of pressure you apply when using a drill. If the screws are too tight this may cause the screw itself to break off in the wall or window frame.*

 SCREWS	 SET SCREWS	 CEILING MOUNT BRACKET
 ALLEN WRENCHES	 CARRIERS	 LEVEL (NOT INCLUDED)
 PENCIL (NOT INCLUDED)	 PENCIL & SCREWDRIVER (NOT INCLUDED)	 POWER DRILL (NOT INCLUDED)

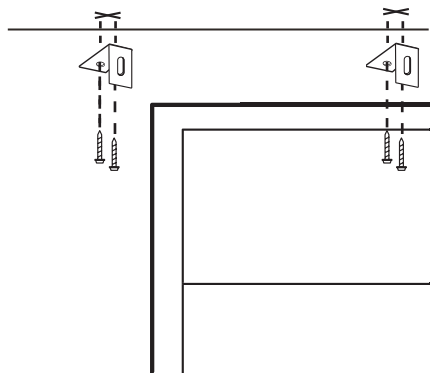
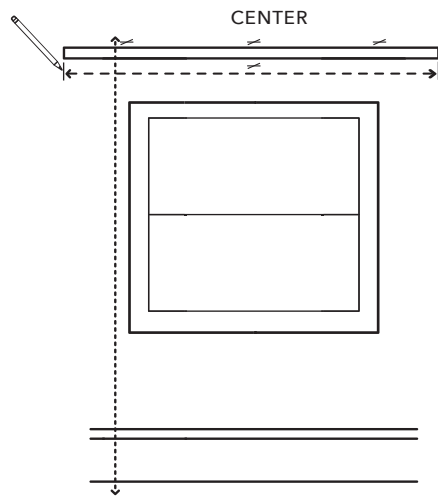
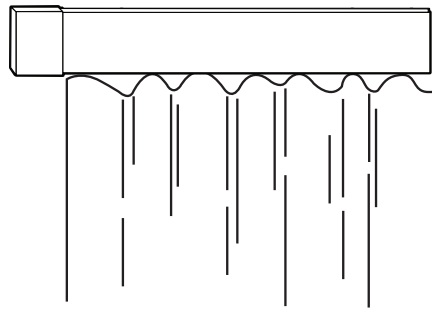
## Metro Chic Ceiling Mount Single Rod



## STEP 2 - MARKING BRACKET PLACEMENT

### Mounting the Brackets

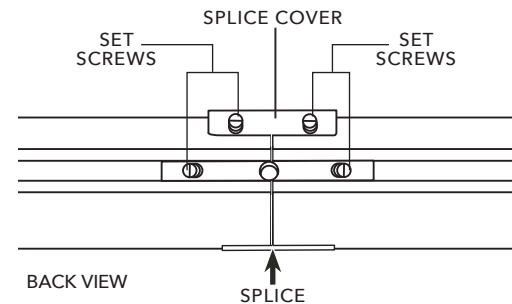
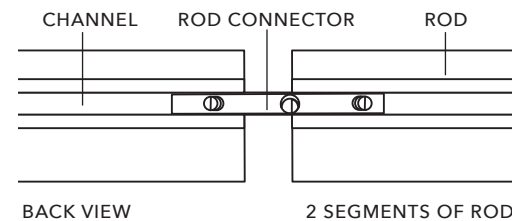
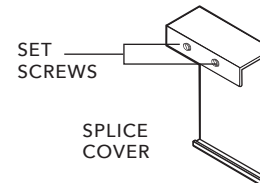
1. Place the panel on the rod. Hold it up to the spot you wish to install it making sure there is enough spacing from wall to where the back of drapery will hit. Usually about 2" away from wall or window. After you've located the ideal location, use a pencil to mark the ceiling where the back of the rod is resting.
2. Remove the panel from the rod and then center the rod over the window opening at the desired spot. Using the pencil, mark where the ends of each rod are positioned; if you're using a center bracket, note the middle point between these two spots. If you have more than one center bracket spread these evenly between the two end brackets and center point. If you have a spliced rod, mark where that splice is on the wall since you will need to add the special splice bracket at that point. Measure 6" inward from the marks you've made on both ends and mark those spots. This is where the end brackets will be installed.



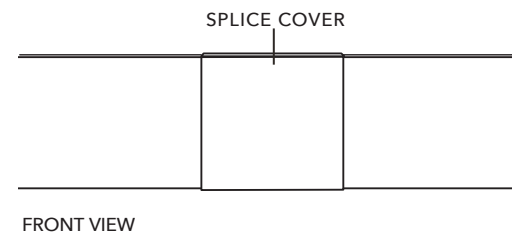
## STEP 3 - ATTACHING THE ROD CONNECTOR

Depending on your order, you may have received a rod connector.

A rod connector is the short piece of metal placed inside each end of the rods in a multi-segment system to join them together.



Join track sections together and fasten securely with set screws.



Attach the splice cover.

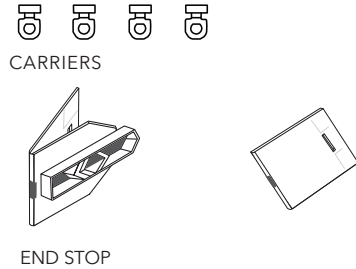
## STEP 4 - ADDING OR REMOVING CARRIERS

### Adding or Removing Carriers to the Rod

Your track rod will come with all master carriers and regular carriers pre-installed.

If you need to add or take out some carriers depending on your drapery, unscrew the End Cap from the rod.

Remove the carrier & end stop and either add or take out the carriers needed.



### Placing End Stop on the Rod

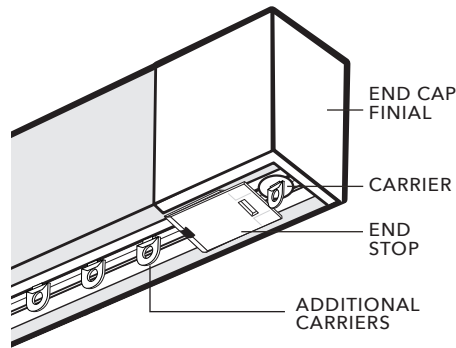
#### SPLIT DRAPERY (A)

Once all carriers have been placed in the track, for split drapery, place end stop in between the first carrier from each end and the second carrier so end of drape does not move when drape is closed.

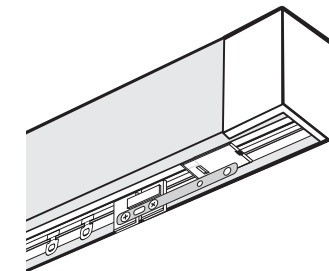
#### ONE WAY DRAW DRAPERY (B)

For one way draw drapery, place end stop in between the first carrier from the end and the second carrier of the side you won't be opening it from, so the end of drape does not move when drape is closed.

Place another end stop right before the beginning of the end cap to prevent master carrier from moving all the way to the end.

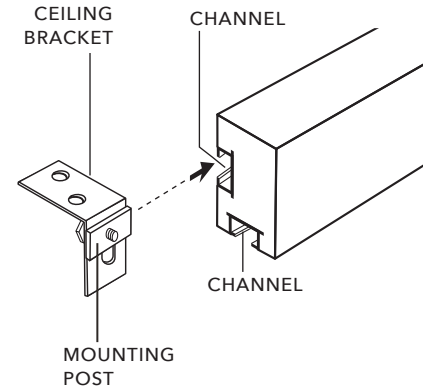


A) Split Draw  
End stop & Carrier positions

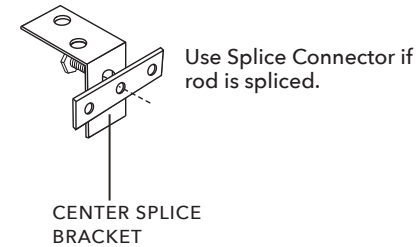
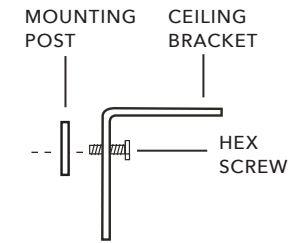


B) One Way Draw  
End stop & Carrier positions

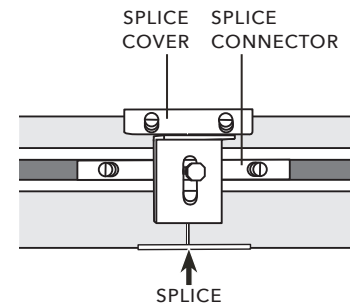
## STEP 5 - ATTACHING THE BRACKET TO THE ROD



Insert the ceiling brackets into the channel in the back of the track. Do not tighten at this time.



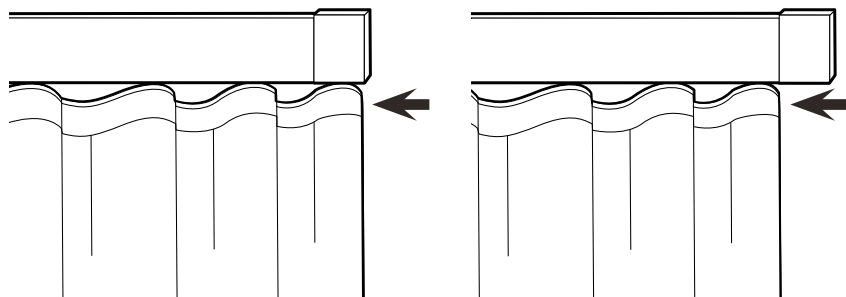
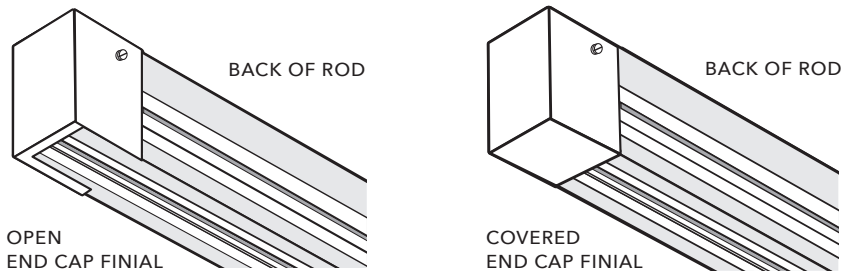
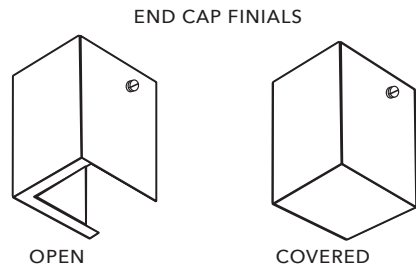
If your rod was spliced, attach the center spliced bracket by taking off the little metal plate and screwing it in the middle hole of the splice connector.



## STEP 6 - ATTACHING THE FINIALS

Slide in End Cap onto rod and tighten set screw.

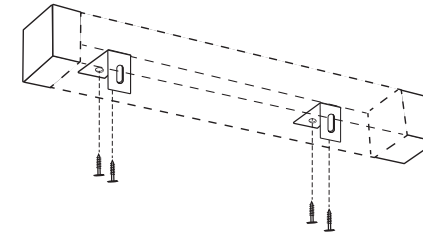
End Cap can be attached with the opening at the bottom or top depending on look you want to achieve.



If you want to get your drapery all the way to the end of the rod, then place opening of end cap at the bottom of rod where track is.

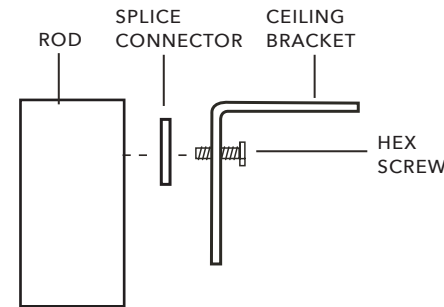
If you want your draperies to stop where the end cap starts, move the open side of the end cap to the top of track. The covered part of end cap will be at the bottom where track is.

## STEP 7 - ATTACHING BRACKETS TO THE CEILING



Hold the rod up and attach the bracket to the ceiling, aligning the holes of the bracket with the marks you made on ceiling on a previous step.

Be sure and attach the bracket to the ceiling with the appropriate mounting hardware.



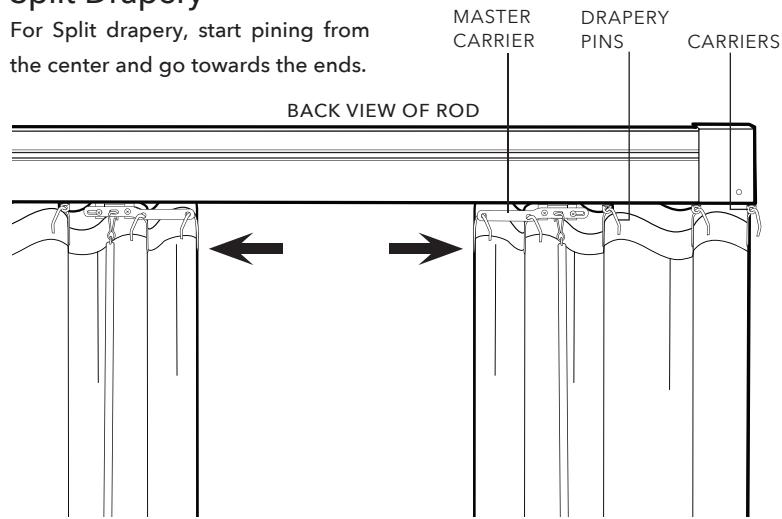
(It is always recommended to try and attach to the ceiling joists found inside ceiling. Where this is not possible please use an anchor suitable to carry the weight of your hardware selection as well as your draperies and any accessories.)

Tighten the hex screw on the back of the ceiling bracket to make sure the rod is attached strongly to the bracket.

Insert drapery pin hooks into carriers and master carriers.

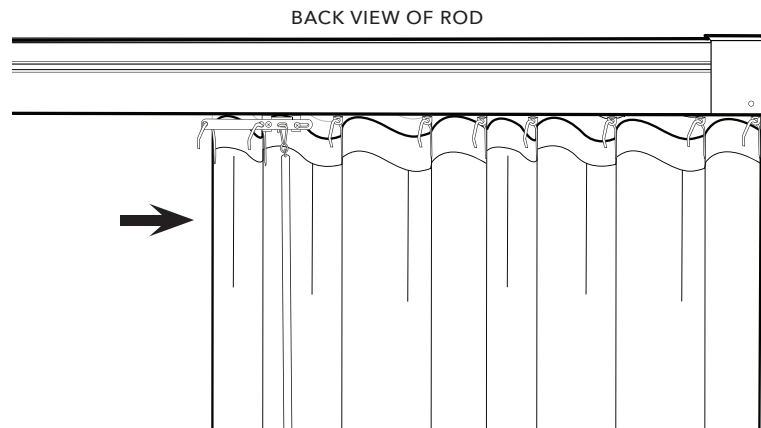
**Split Drapery**

For Split drapery, start pinning from the center and go towards the ends.



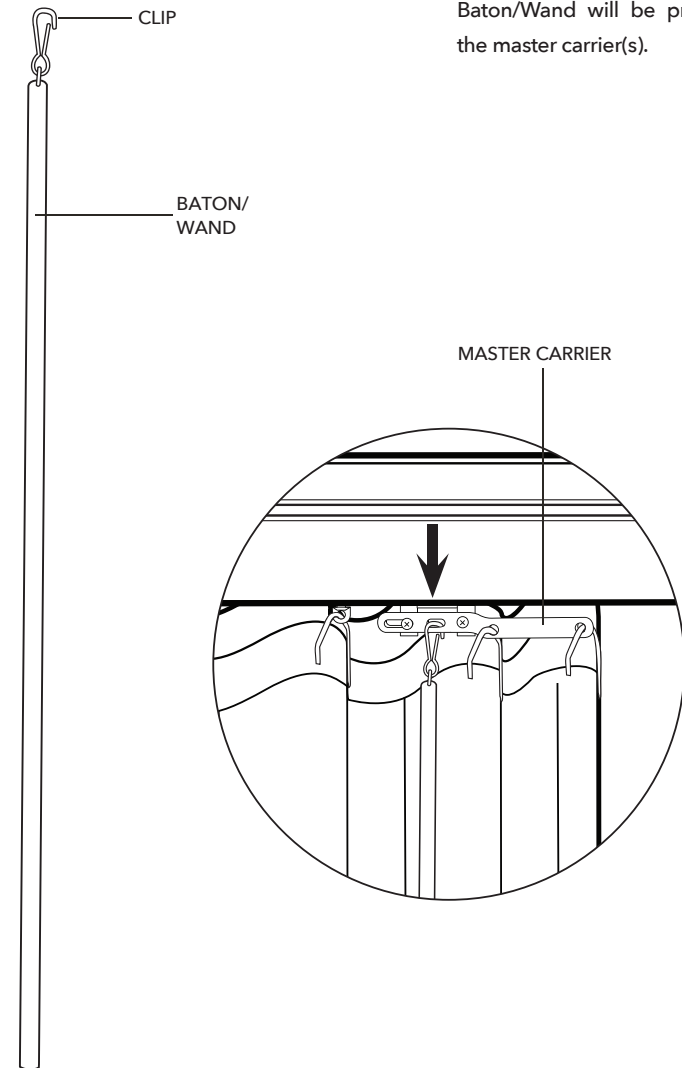
**Draw one side**

For drapery opening from one side only, start pinning from the opening side towards the end.



**Baton/Wand (optional)**

Baton/Wand will be pre-attached to the master carrier(s).



Minimal care and cleaning is needed to maintain the beauty of your Hardware.

To Vacuum: Use brush or dust head attachment.

To Dust: Use soft, clean cloth.



---

## Warranty Service

The enjoyment of your hardware should be everlasting, which is why our products come with a limited lifetime warranty. The warranty applies to the original owner, requires a proof of purchase (hang on to your receipt!) and covers defects in material or craftsmanship. Hardware must have been properly installed. We reserve the right to determine if your hardware warrants a repair or a replacement. Visit [smithandnoble.com/guarantee](https://smithandnoble.com/guarantee) to see full details. In need of warranty service? Call us at 800.248.8888 and we'll arrange for a repair or replacement ASAP.

---