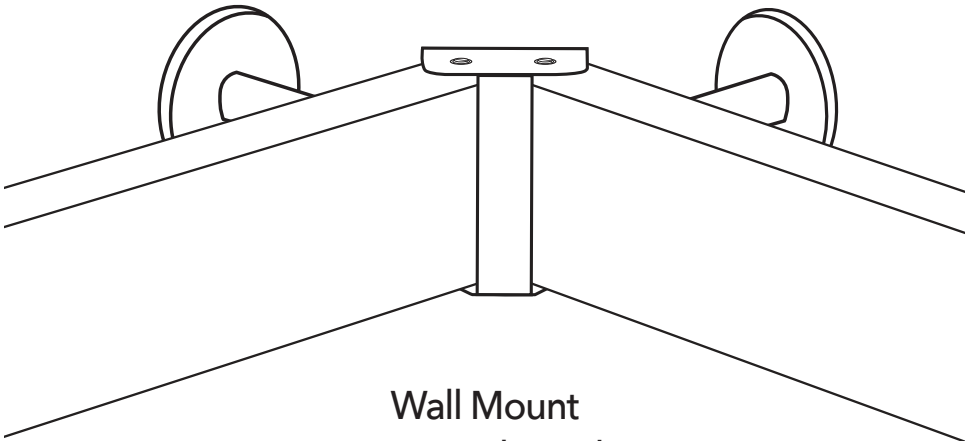
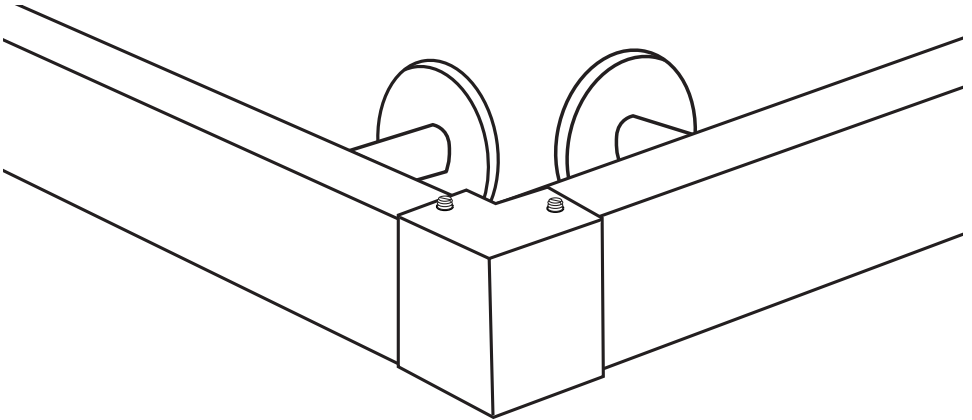


# SMITH & NOBLE

---

STEP BY STEP INSTALLATION INSTRUCTIONS

## Metro Chic Hardware



Wall Mount  
Corner Single Rod Set

---

# Everything You Need

## A Smooth Set-Up

We want you to love your new hardware and that includes having a smooth installation experience. We suggest saving this guide. If you encounter any difficulties or questions, please reach out to us for help. It's why we're here. Call us at **800.248.8888** for more info on installation.

We recommend you hold on to all packaging until your hardware is fully installed. Should something go wrong (we strongly doubt it), we want any potential returns to be as painless as possible.

---

### Customer Service Hours

Monday – Friday: 6am – 6pm PT

Saturday – Sunday: 7am – 4pm PT

[smithandnoble.com](http://smithandnoble.com)



---

## Table of Contents

<i>Step 1 -</i>	Getting Started . . . . .	3
<i>Overview -</i>	Corner Wall Mount Corner Rod Set . . . . .	4
<i>Step 2 -</i>	Mounting the Brackets . . . . .	5 - 6
<i>Step 3 -</i>	Attaching the Rod Connector. . . . .	7
<i>Step 4 -</i>	Placing Carriers & End Stops . . . . .	8
<i>Step 5 -</i>	Attaching Brackets to Rod . . . . .	9
<i>Step 6 -</i>	Attaching the Finials . . . . .	10
<i>Step 7 -</i>	Attaching Corner Brackets . . . . .	10
<i>Step 8 -</i>	Attaching Bracket Posts to Bracket Bases . . . . .	11
<i>Step 9 -</i>	Attaching Drapery to Rod . . . . .	12
<i>Accessories -</i>	Baton/Wand . . . . .	13
	Care & Cleaning . . . . .	14
	Warranty . . . . .	Back Cover

Getting Started

Before you begin, check the accompanying diagram to make sure you have all the parts you need. You'll need to make sure the surface you intend to install your hardware is sturdy enough to accommodate the brackets. If you're screwing directly into a surface this means locating wood studs that are strong enough to securely bond with the included screws. Otherwise, you'll need to use a secure fastener (as illustrated) but please note this piece is not included.

**WALLBOARD OR PLASTER:**

Hollow wall applications: Use a secure fastener designed specifically for this purpose.

**METAL:**

Prepare by pre-drilling holes and then using the included screws.

**CONCRETE, STONE, BRICK OR TILE:**

Use a masonry drill and surface-specific plugs, anchors, or screws. When selecting a fastener be sure it's designed to support the weight of the product being installed (if you're not sure, either give us a call or ask a professional at your local hardware store). Once obtained, follow the fastener manufacturer's instructions regarding proper installation.

**TOOLS YOU WILL NEED TO INSTALL YOUR HARDWARE:**

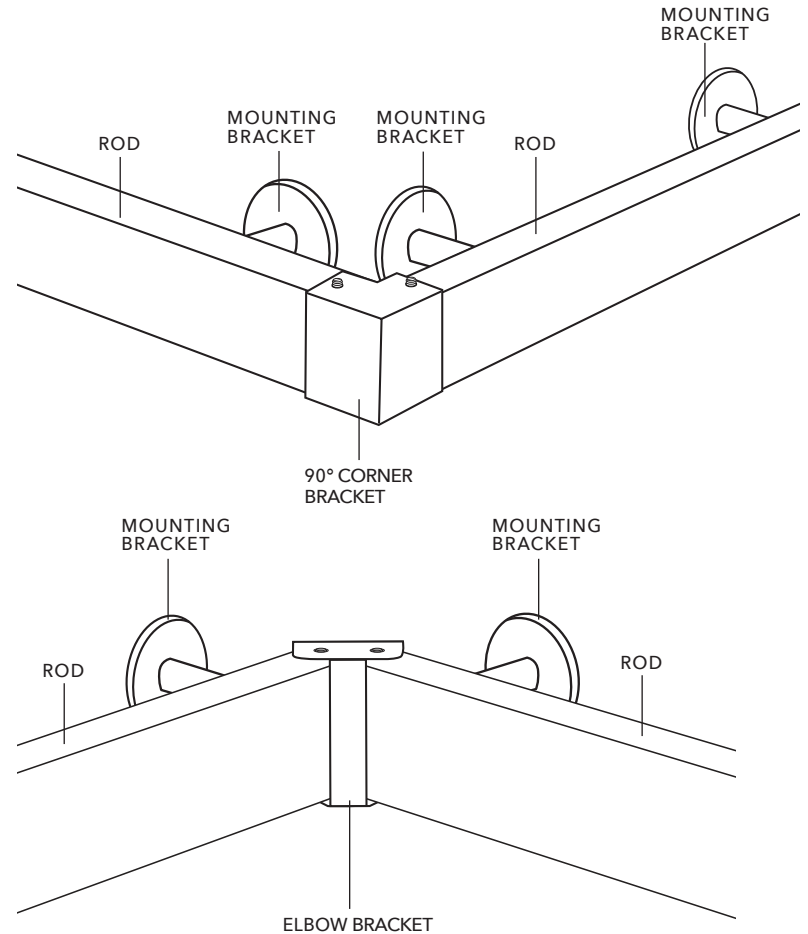
Pencil, screwdriver, 1/4" nut driver, level, and a drill with a 3/4" drill bit.

*Note: It's important to monitor the amount of pressure you apply when using a drill. If the screws are too tight this may cause the screw itself to break off in the wall or window frame.*



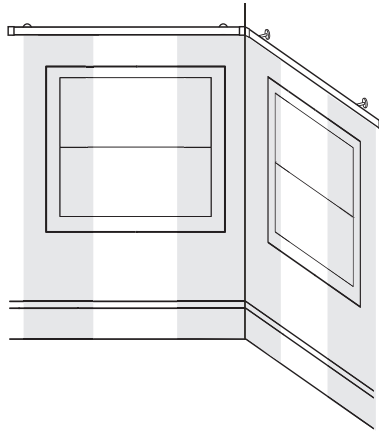
<p>MOUNTING SCREWS      SET SCREWS</p>	<p>END &amp; CENTER MOUNTING BRACKET</p>	<p>SPLICE CENTER MOUNTING BRACKET</p>
<p>ALLEN WRENCHES</p>	<p>CARRIERS (FRONT ROD)</p>	<p>CORNER/ELBOW BRACKETS</p>
<p>SCREWDRIVER &amp; PENCIL (NOT INCLUDED)</p>	<p>POWER DRILL &amp; LEVEL (NOT INCLUDED)</p>	<p>SPLICE COVER</p>

Metro Chic Corner Single Rod Set

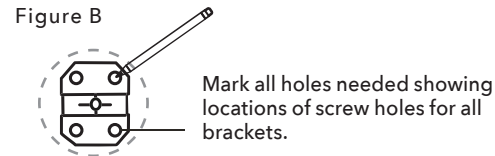
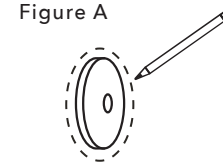
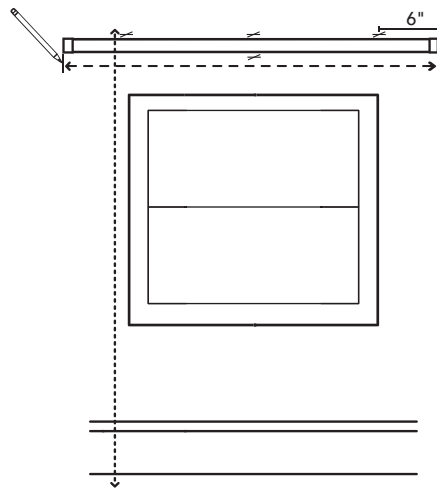


Mounting the Brackets

1. Place the panel on the rod. To ensure it drapes at the correct length, hold it up to the spot you wish to install it; this will allow you to raise or lower your treatment as desired. After you've located the ideal location, use a pencil to mark the wall where the top of the rod is resting.



2. Remove the panel from the rod and then center the rod over the window opening at the desired spot. Using the pencil, mark where the ends of each rod are positioned; if you're using a center bracket, note the middle point between these two spots. If you have more than one center bracket spread these evenly between the two end brackets and center point. *If you have a spliced rod, mark where that splice is on the wall since you will need to add the special splice bracket at that point.* Measure 6" inward from the marks you've made on both ends and mark those spots. This is where the end brackets will be installed. Proceed to do the same for the other side.

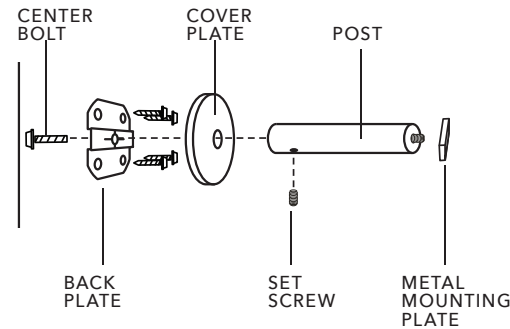


3. Place center of bracket cover plate level against wall at the marked spots. Using a pencil, lightly draw a circle around the base of the bracket onto wall, see Figure A. Check to make sure the circles are level & aligned with each other.

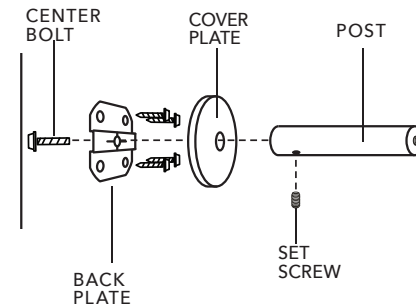
Remove mounting plate and center it inside of the circle outline on wall. Mark the screw hole locations for all brackets. See Figure B.

Attach the metal mounting plate to the wall, aligning the holes in the plate with the marks made in the previous step, see Figure B. Be sure and attach the plate to the wall with the appropriate mounting hardware. (It is always recommended to try and attach to the wood studs inside the wall. Where this is not possible please use a wall anchor suitable to carry the weight of your hardware selection as well as your draperies and any accessories.)

End & Center Brackets



Splice Bracket



4. Place bracket cover plate on top of back plate and thread in the inside post. Make sure to screw on inside post very tightly. Do not leave any play or wiggle room.

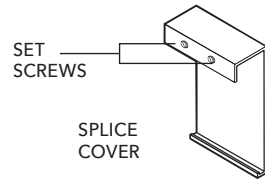
## STEP 3 - ATTACHING THE ROD CONNECTOR

Depending on your order, you may have received a rod connector.

A rod connector is the short piece of metal placed inside each end of the rods in a multi-segment system to join them together.



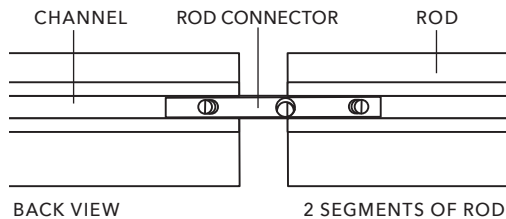
ROD CONNECTOR



SET SCREWS

SPLICE COVER

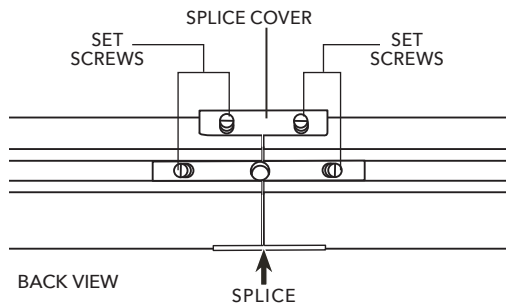
Join track sections together and fasten securely with set screws.



BACK VIEW

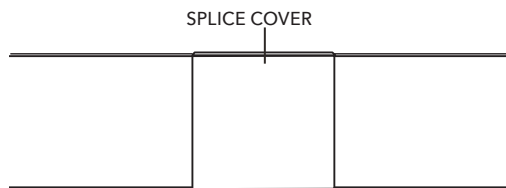
2 SEGMENTS OF ROD

Attach the splice cover to the front rod. (see belows)



BACK VIEW

SPLICE

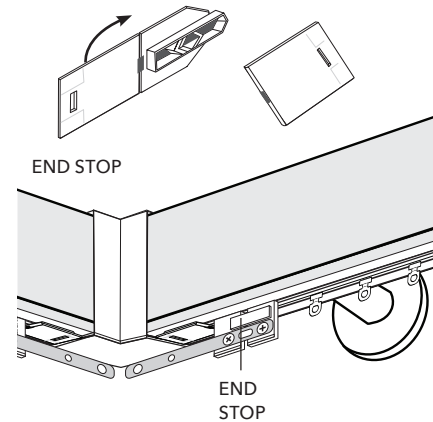


FRONT VIEW

## STEP 4 - PLACING CARRIERS & END STOPS



CARRIERS



END STOP

END STOP

### Adding or Removing Carriers to the Rod

Your track rod will come with all master carriers and regular carriers pre-installed.

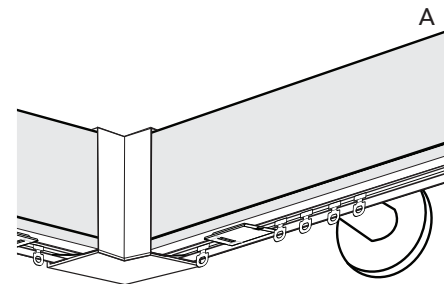
If you need to add or take out some carriers depending on your drapery, unscrew the 90° corner bracket or elbow.

Remove the carrier & end stop and either add or take out the carriers needed.

### Placing End Stop on the Rod

#### SPLIT DRAPERY

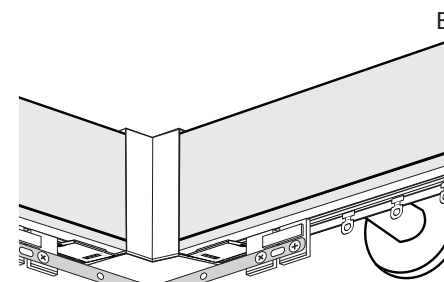
Once all carriers have been placed in the track, for split drapery, place end stop in between the first carrier from each end and the second carrier so end of drape does not move when drape is closed.



Split Draw  
End stop & Carrier positions

#### ONE WAY DRAW DRAPERY

For one way draw drapery, place end stop in between the first carrier from the end (A) and the second carrier of the side you won't be opening, so the end of drape does not move when drape is closed. Repeat for other rod.



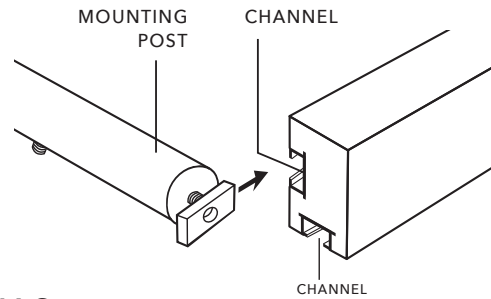
One Way Draw  
End stop & Carrier positions

Place another end stop right before the beginning of the end cap to prevent master carrier from moving all the way to the end (B).

## STEP 5 - ATTACHING BRACKETS TO ROD

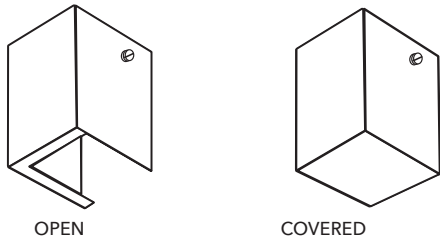
Insert the mounting posts into the channel in the back of the track.  
Do not tighten at this time.

Attach End Cap Finial.



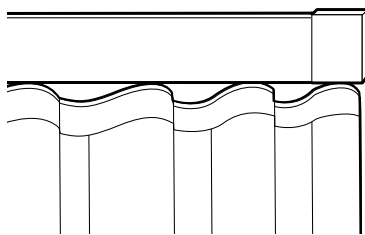
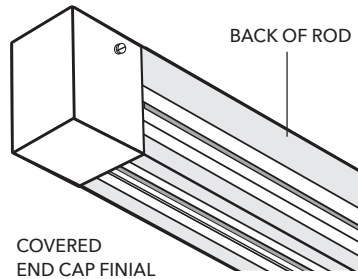
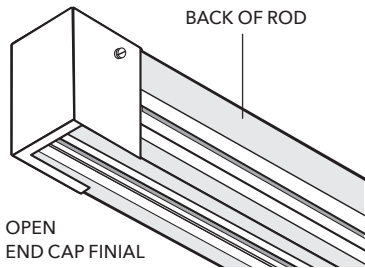
## STEP 6 - ATTACHING FINIALS

END CAP FINIALS

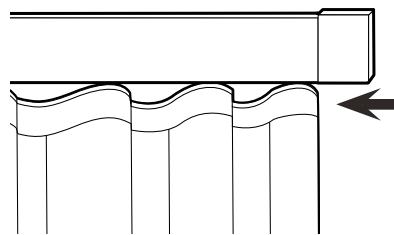


Slide in End Cap onto rod and tighten set screw.

End Cap can be attached with the opening at the bottom or top depending on look you want to achieve.



If you want to get your drapery all the way to the end of the rod, then place opening of end cap at the bottom of rod where track is.



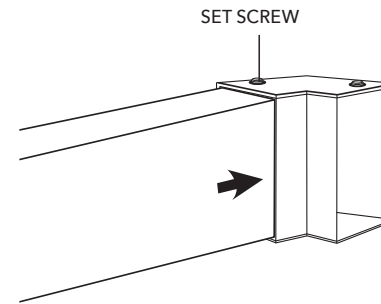
If you want your draperies to stop where the end cap starts, move the open side of the end cap to the top of track. The covered part of end cap will be at the bottom where track is.

## STEP 7 - ATTACHING CORNER BRACKETS

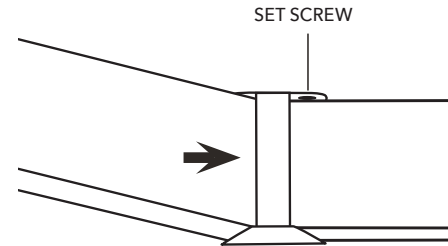
### 90° Corner or Elbow Bracket

Slide in 90° corner bracket or elbow into the end of the left rod where there is no finial end cap and tighten set screw.

Proceed to attach the corner elbow to the right side.



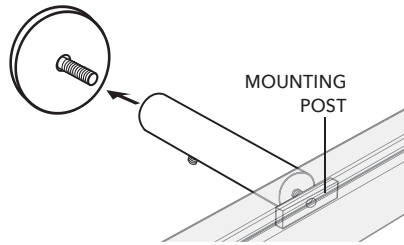
90° CORNER BRACKET



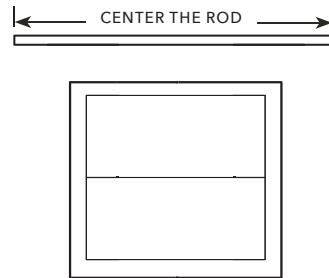
ELBOW BRACKET

## STEP 8 - ATTACHING BRACKET POSTS TO BRACKET BASES

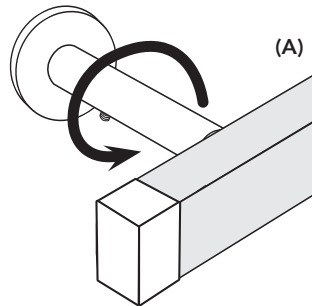
Align the mounting posts in the back of the track with the brackets mounted to the wall. Slide the mounting posts onto the brackets but don't tighten.



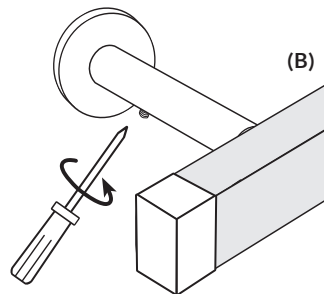
Center the track over the window opening by sliding the track left or right on the posts. When the track is centered, rotate the posts clockwise to tighten against the track. (A)



Tighten the set screw on the mounting post. (B)



Repeat all steps for right rod but make sure, before you tighten up posts, that the rod is inside the other end of the 90° corner bracket or elbow and you have tightened the set screws on that part to hold the rod in place.

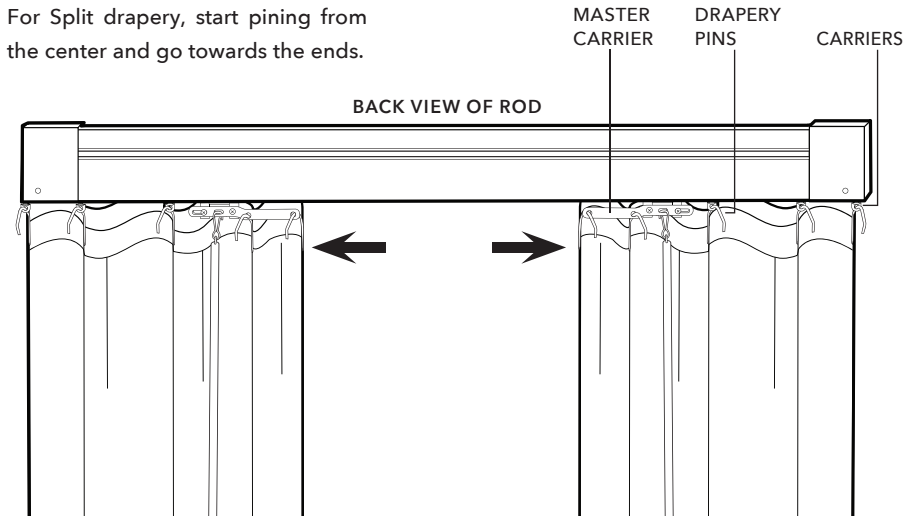


## STEP 9 - ATTACHING DRAPERY TO ROD

Insert drapery pin hooks into carriers and master carriers.

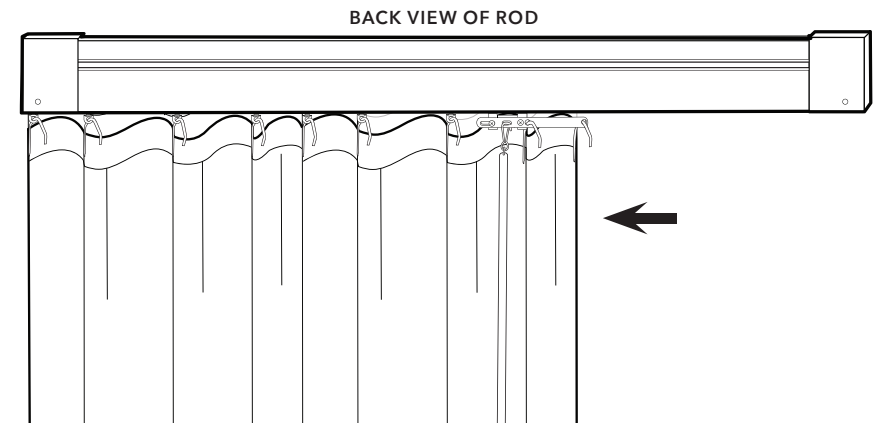
### Split Drapery

For Split drapery, start pinning from the center and go towards the ends.



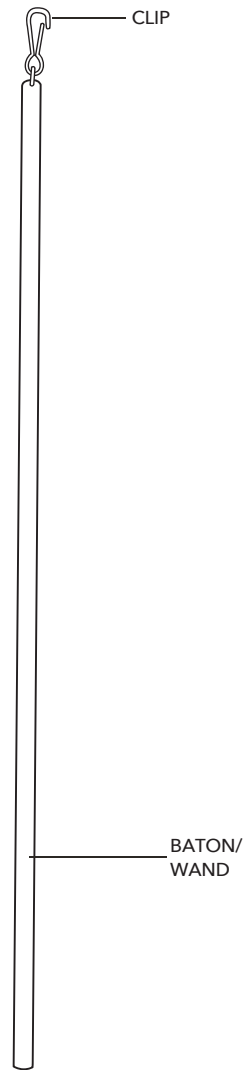
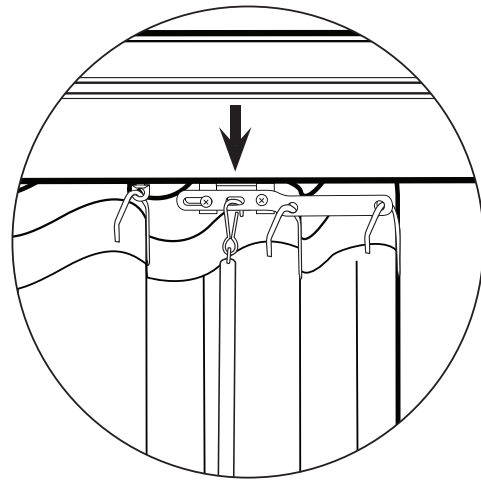
### Draw one side

For drapery opening from one side only, start pinning from the opening side towards the end.



Baton/Wand (optional)

Baton/Wand will be pre-attached to the master carrier(s).



Minimal care and cleaning is needed to maintain the beauty of your Hardware.

To Vacuum: Use brush or dust head attachment.

To Dust: Use soft, clean cloth.



---

## Warranty Service

The enjoyment of your hardware should be everlasting, which is why our products come with a limited lifetime warranty. The warranty applies to the original owner, requires a proof of purchase (hang on to your receipt!) and covers defects in material or craftsmanship. Hardware must have been properly installed. We reserve the right to determine if your hardware warrants a repair or a replacement. Visit [smithandnoble.com/guarantee](https://smithandnoble.com/guarantee) to see full details. In need of warranty service? Call us at 800.248.8888 and we'll arrange for a repair or replacement ASAP.

---