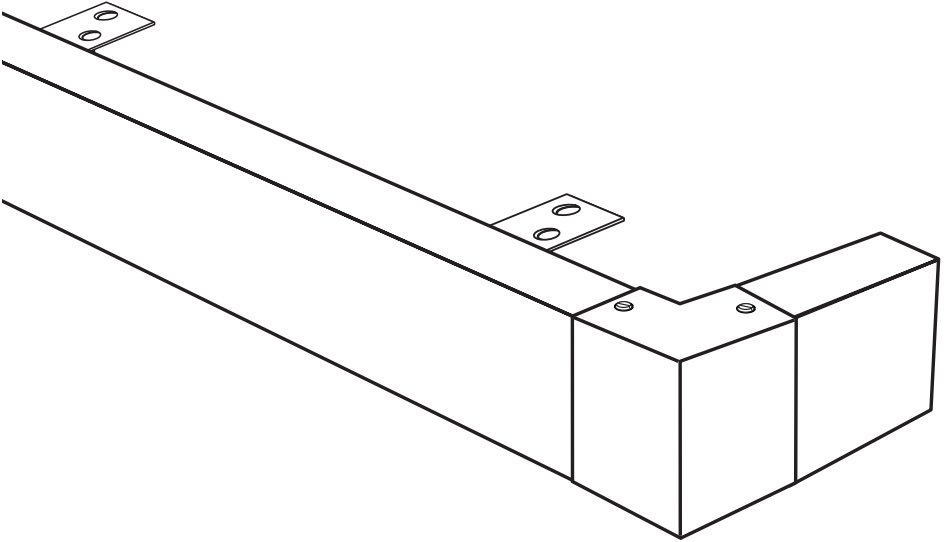


SMITH & NOBLE

STEP BY STEP INSTALLATION INSTRUCTIONS

Metro Chic Hardware



Ceiling Mount
Single Return Rod Set

Everything You Need

A Smooth Set-Up

We want you to love your new hardware and that includes having a smooth installation experience. We suggest saving this guide. If you encounter any difficulties or questions, please reach out to us for help. It's why we're here. Call us at **800.248.8888** for more info on installation.

We recommend you hold on to all packaging until your hardware is fully installed. Should something go wrong (we strongly doubt it), we want any potential returns to be as painless as possible.

Customer Service Hours

Monday – Friday: 6am – 6pm PT

Saturday – Sunday: 7am – 4pm PT

smithandnoble.com



Table of Contents

<i>Step 1</i> -	Getting Started	3
<i>Overview</i> -	Ceiling Mount Return Rod Set	4
<i>Step 2</i> -	Marking the Bracket Placement.	5 - 6
<i>Step 3</i> -	Attaching the Rod Connector.	7
<i>Step 4</i> -	Adding or Removing Carriers & End Stops.	8
<i>Step 5</i> -	Attaching Brackets to Rod	9
<i>Step 6</i> -	Attaching Returns.	10
<i>Step 7</i> -	Attaching Brackets to Ceiling.	11
<i>Step 8</i> -	Attaching Drapery to Rod	12
<i>Accessories</i> -	Baton/Wand	13
	Care & Cleaning	14
	Warranty	Back Cover

Getting Started

Before you begin, check the accompanying diagram to make sure you have all the parts you need. You'll need to make sure the surface you intend to install your hardware is sturdy enough to accommodate the brackets. If you're screwing directly into a surface this means locating wood studs that are strong enough to securely bond with the included screws. Otherwise, you'll need to use a secure fastener (as illustrated) but please note this piece is not included.

WALLBOARD OR PLASTER:

Hollow wall applications: Use a secure fastener designed specifically for this purpose.

METAL:

Prepare by pre-drilling holes and then using the included screws.

CONCRETE, STONE, BRICK OR TILE:



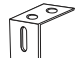


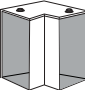
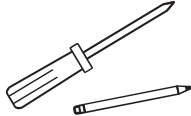
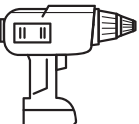
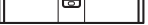
Use a masonry drill and surface-specific plugs, anchors, or screws. When selecting a fastener be sure it's designed to support the weight of the product being installed (if you're not sure, either give us a call or ask a professional at your local hardware store). Once obtained, follow the fastener manufacturer's instructions regarding proper installation.

TOOLS YOU WILL NEED TO INSTALL YOUR HARDWARE:

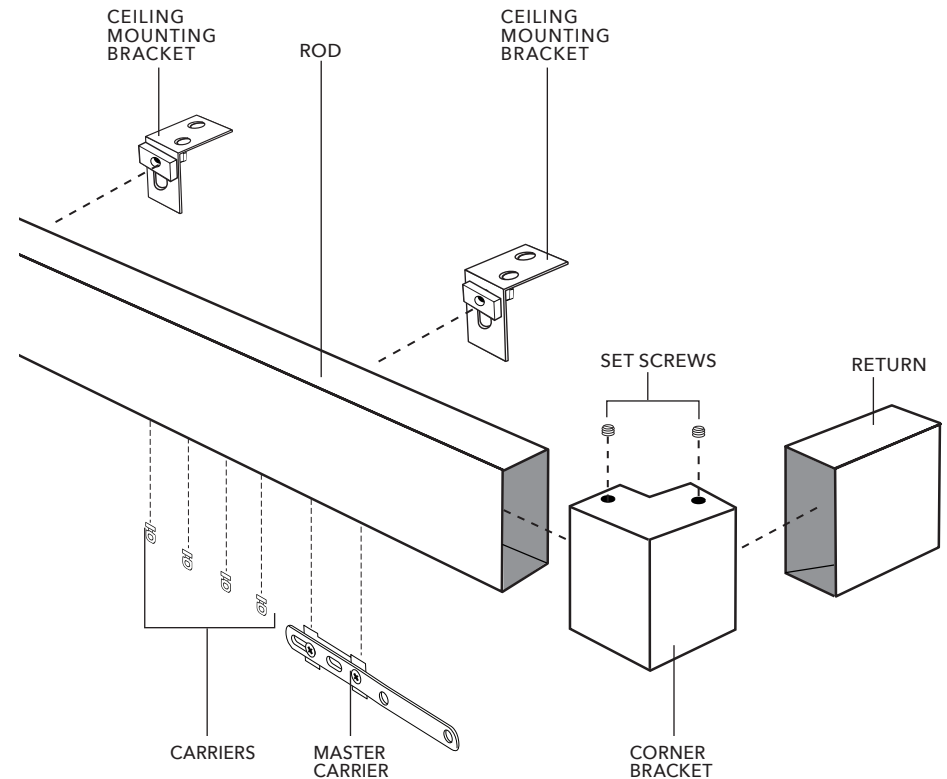
Pencil, screwdriver, 1/4" nut driver, level, and a drill with a 3/4" drill bit.

Note: It's important to monitor the amount of pressure you apply when using a drill. If the screws are too tight this may cause the screw itself to break off in the wall or window frame.



 SCREWS	 SET SCREWS	 CEILING MOUNT BRACKET
 ALLEN WRENCHES	 CARRIERS	 CORNER BRACKET
 PENCIL & SCREWDRIVER (NOT INCLUDED)	 POWER DRILL (NOT INCLUDED)	 LEVEL (NOT INCLUDED)

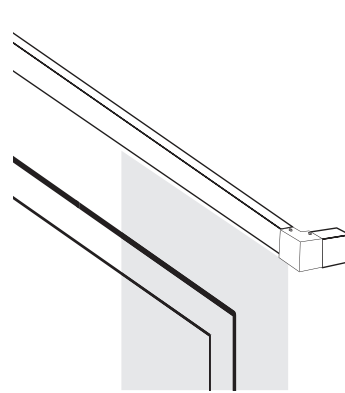
Metro Chic Ceiling Mount Return Rod



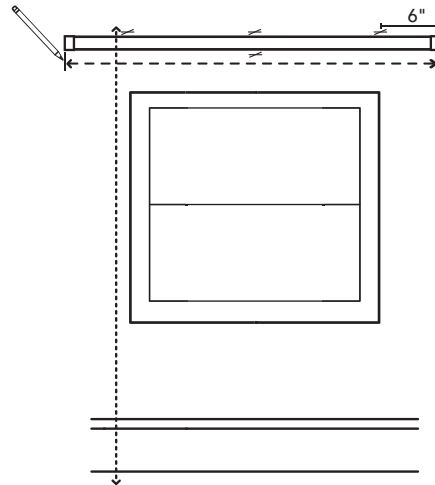
STEP 2 - MARKING BRACKET PLACEMENT

Mounting the Brackets

1. Place the panel on the rod. Hold it up to the spot you wish to install it making sure there is enough spacing from wall to where the back of drapery will hit. Usually about 2" away from wall or window. After you've located the ideal location, use a pencil to mark the ceiling where the back of the rod is resting.



2. Remove the panel from the rod and then center the rod over the window opening at the desired height. Using the pencil, mark where the ends of each rod are positioned; if you're using a center bracket, note the middle point between these two spots.



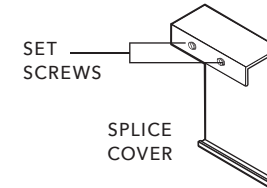
If you have more than one center bracket spread these evenly between the two end brackets and center point. If you have a spliced rod, mark where that splice is on the wall since you will need to add the special splice bracket at that point.

Measure 6" inward from the marks you've made on both ends and mark those spots. This is where the end brackets will be installed.

STEP 3 - ATTACHING THE ROD CONNECTOR



ROD CONNECTOR

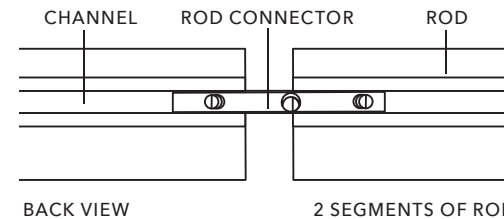


SET SCREWS

SPLICE COVER

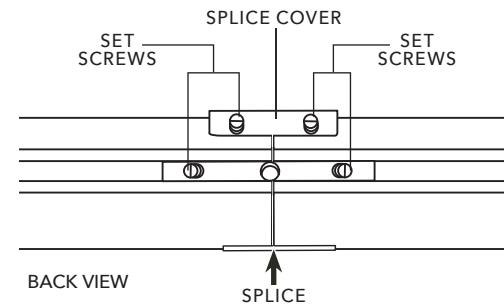
Depending on your order, you may have received a rod connector.

A rod connector is the short piece of metal placed inside each end of the rods in a multi-segment system to join them together.



BACK VIEW

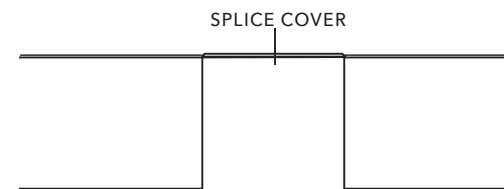
2 SEGMENTS OF ROD



BACK VIEW

SPLICE

Join track sections together and fasten securely with set screws.



FRONT VIEW

Attach the splice cover.

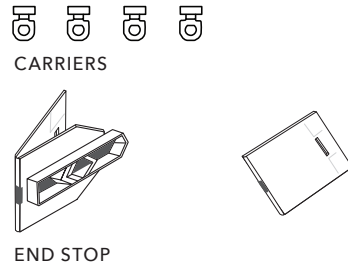
STEP 4 - PLACING CARRIERS & END STOPS

Adding or Removing Carriers to the Rod

Your track rod will come with all master carriers and regular carriers pre-installed.

If you need to add or take out some carriers depending on your drapery, unscrew the return from the rod.

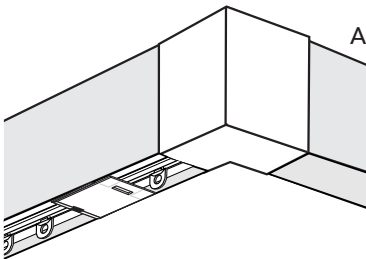
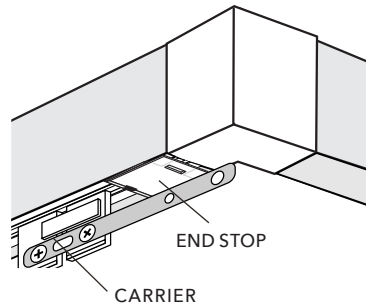
Remove the carrier & end stop and either add or take out the carriers needed.



Placing End Stop on the Rod

SPLIT DRAPERY (A)

Once all carriers have been placed in the track, for split drapery, place end stop in between the first carrier from each end and the second carrier so end of drape does not move when drape is closed.

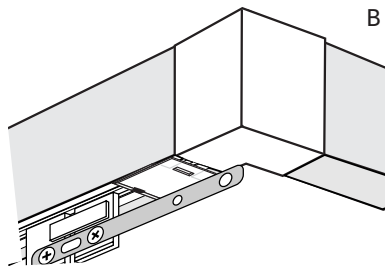


Split Draw
End stop & Carrier positions

ONE WAY DRAW DRAPERY (B)

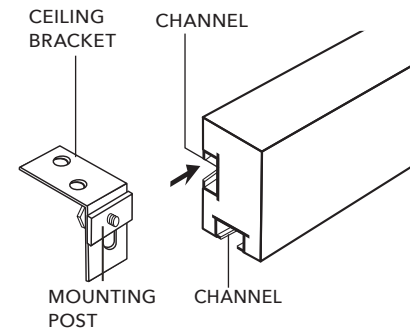
For one way draw drapery, place end stop in between the first carrier from the end and the second carrier of the side you won't be opening it from so the end of drape does not move when drape is closed.

Place another end stop right before the beginning of the return to prevent master carrier from moving all the way to the end.



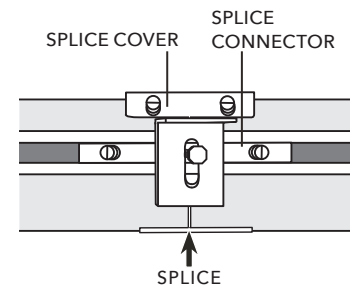
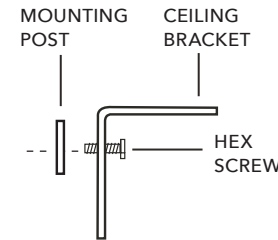
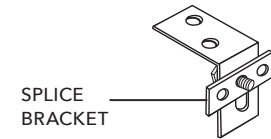
One Way Draw
End stop & Carrier positions

STEP 5 - ATTACHING BRACKETS TO ROD



Insert the mounting posts into the channel in the back of the track. Do not tighten at this time.

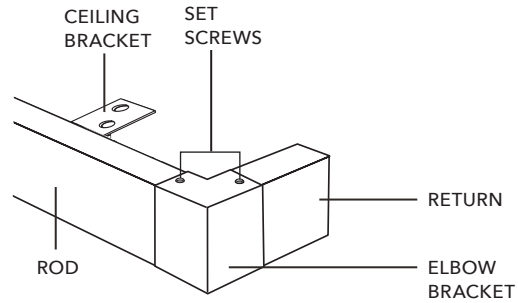
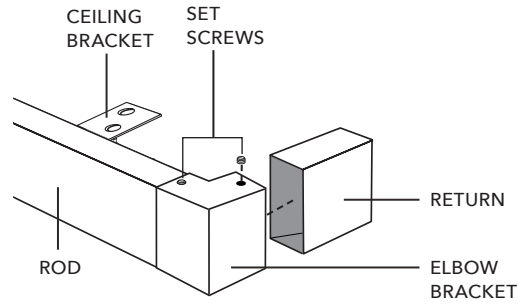
Attach Return (go to step 6)



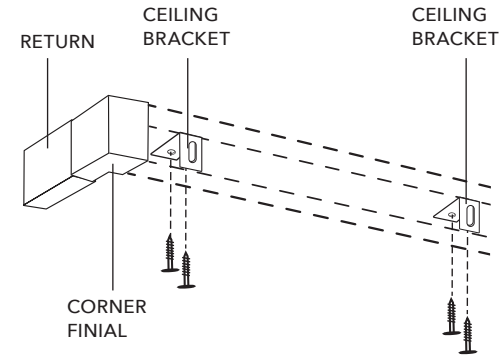
If your rod was spliced, attach the center spliced bracket by taking off the little metal plate and screwing it in the middle hole of the splice connector.

STEP 6 - ATTACHING RETURNS

Slide Return onto rod and tighten set screw.



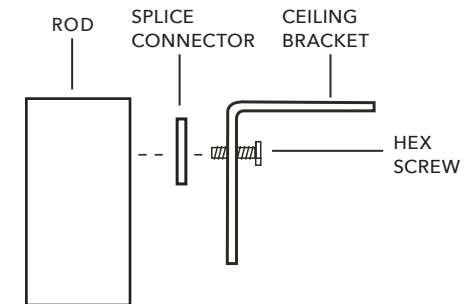
STEP 7 - ATTACHING BRACKETS TO THE CEILING



Hold the rod up and attach the bracket to the ceiling, aligning the holes of the bracket with the marks you made on ceiling on a previous step.

Be sure and attach the bracket to the ceiling with the appropriate mounting hardware.

(It is always recommended to try and attach to the ceiling joists found inside ceiling. Where this is not possible please use an anchor suitable to carry the weight of your hardware selection as well as your draperies and any accessories.)

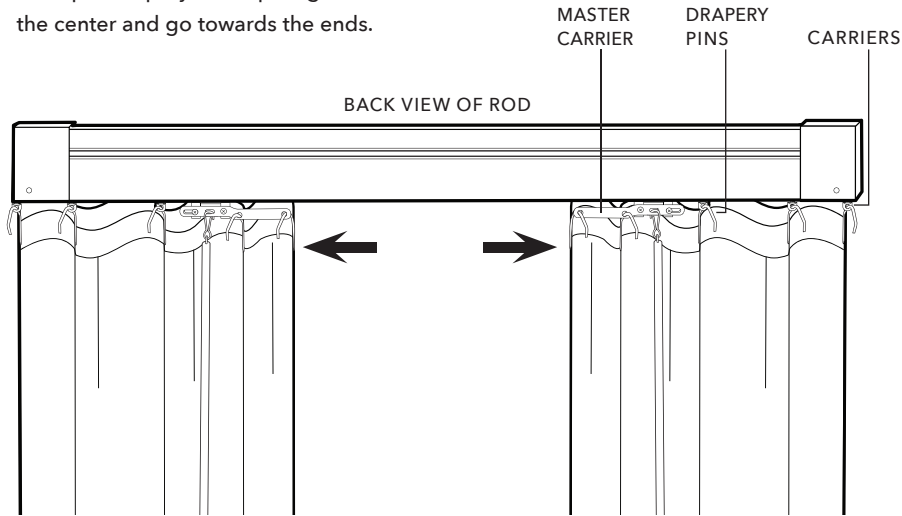


Tighten the hex screw on the back of the ceiling bracket to make sure the rod is attached strongly to the bracket.

Insert drapery pin hooks into carriers and master carriers.

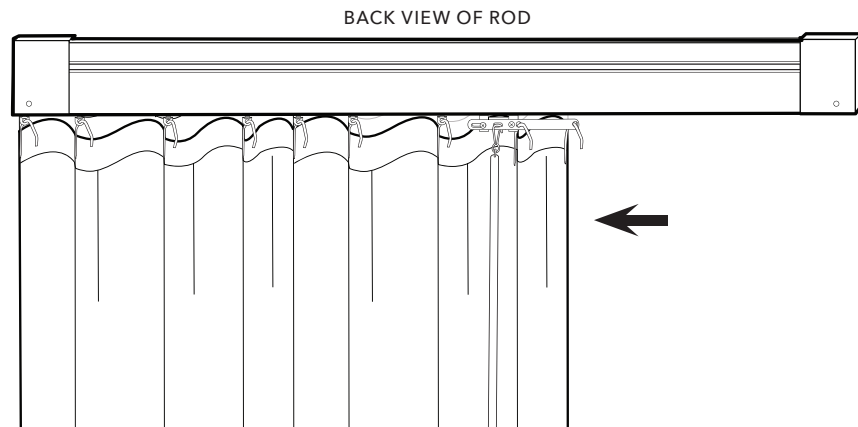
Split Drapery

For Split drapery, start pinning from the center and go towards the ends.



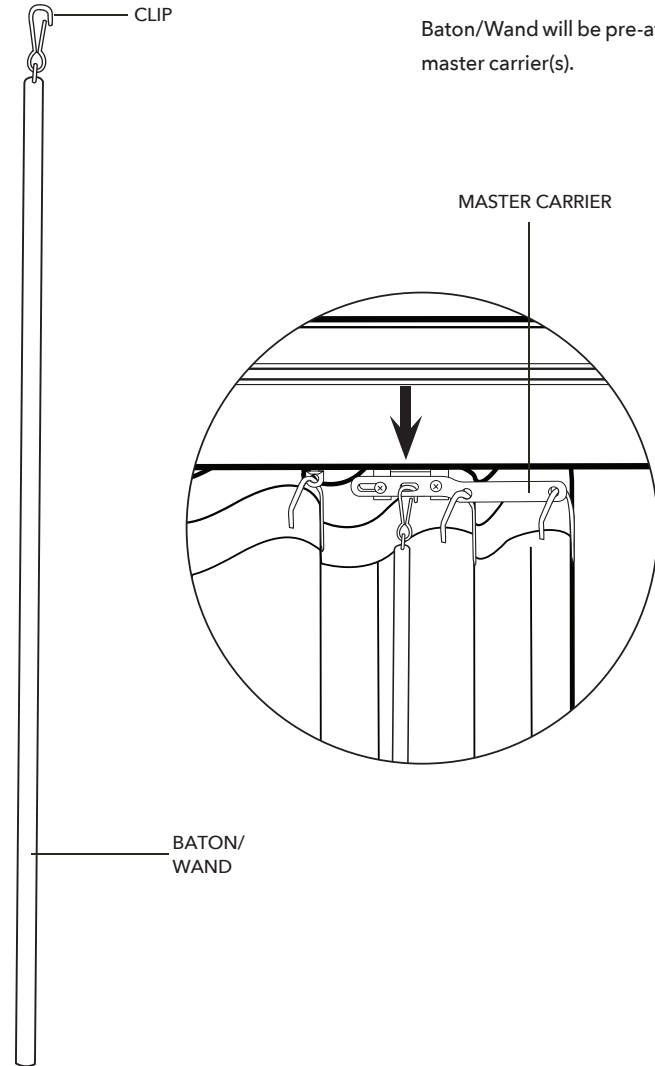
Draw one side

For drapery opening from one side only, start pinning from the opening side towards the end.



Baton/Wand (optional)

Baton/Wand will be pre-attached to the master carrier(s).



Minimal care and cleaning is needed to maintain the beauty of your Hardware.

To Vacuum: Use brush or dust head attachment.

To Dust: Use soft, clean cloth.

Warranty Service

The enjoyment of your hardware should be everlasting, which is why our products come with a limited lifetime warranty. The warranty applies to the original owner, requires a proof of purchase (hang on to your receipt!) and covers defects in material or craftsmanship. Hardware must have been properly installed. We reserve the right to determine if your hardware warrants a repair or a replacement. Visit smithandnoble.com/guarantee to see full details. In need of warranty service? Call us at 800.248.8888 and we'll arrange for a repair or replacement ASAP.
