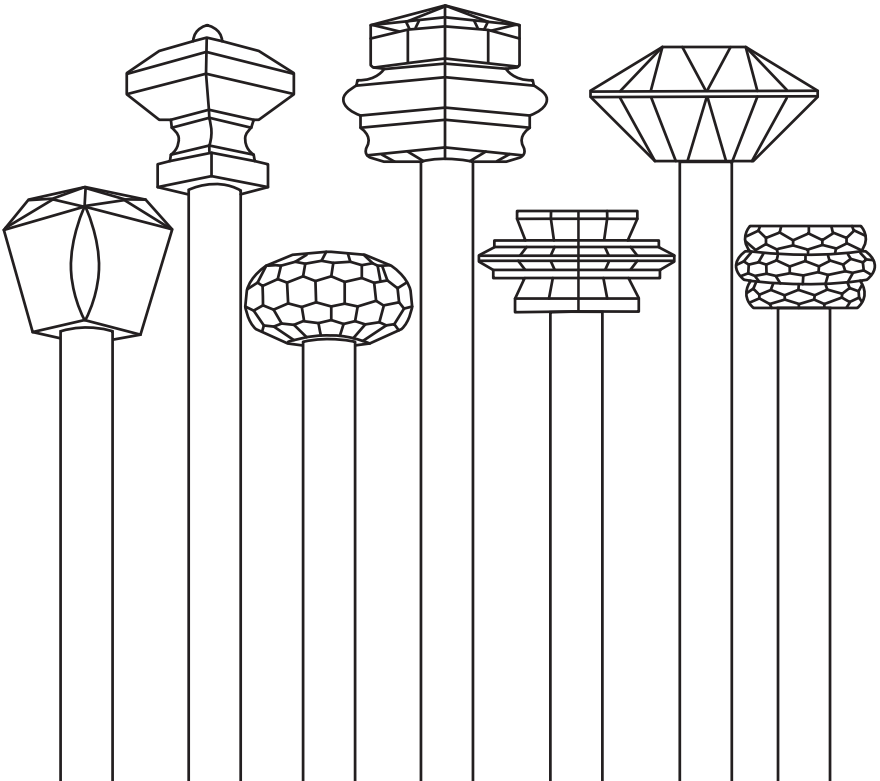


SMITH & NOBLE

Crystal Hardware

Step by Step Installation
Instructions



Wall Mount
Double Rod Set

Everything You Need

A Smooth Set-Up

We want you to love your new blinds and that includes having a smooth installation experience. We recommend saving this guide. If you encounter any difficulties or questions, please reach out to us for help. It's why we're here. Call us at 800.248.8888 for more info on installation.

We recommend you hold on to all packaging until your blinds are fully installed. Should something go wrong (we strongly doubt it), we want any potential returns to be a painless as possible.

Customer Service Hours

Monday – Friday: 6am – 6pm PT

Saturday – Sunday: 7am – 4pm PT

smithandnoble.com



Table of Contents

<i>Step 1 -</i>	Getting Started	3
<i>Overview -</i>	Wall Mount Double Rod Set.	4
<i>Step 2 -</i>	Mounting the Brackets	5
<i>Step 3 -</i>	Rod Connectors	6
<i>Step 4 -</i>	Attaching the Finials	6
<i>Step 5 -</i>	Attaching the Rings	7
<i>Accessories</i>	Tiebacks (optional)	8
<i>Accessories</i>	Baton/Wand (optional)	9
	Care & Cleaning	10
	Warranty	Back Cover

Getting Started

Before you begin, check the accompanying diagram to make sure you have all the parts you need. You'll need to make sure the surface you intend to install your hardware is sturdy enough to accommodate the brackets. If you're screwing directly into a surface this means locating wood studs that are strong enough to securely bond with the included screws. Otherwise, you'll need to use a secure fastener (as illustrated) but please note this piece is not included.

WALLBOARD OR PLASTER:

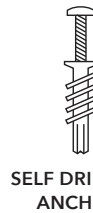
Hollow wall applications: Use a secure fastener designed specifically for this purpose.

METAL:

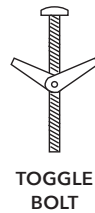
Prepare by pre-drilling holes and then using the included screws.



MOLLY BOLT



SELF DRILLING ANCHOR



TOGGLE BOLT

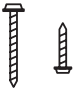
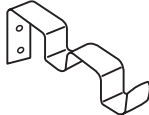
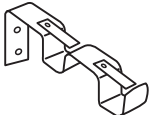




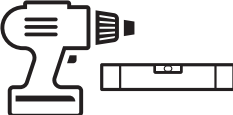
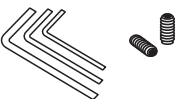
CONCRETE, STONE, BRICK OR TILE:

Use a masonry drill and surface-specific plugs, anchors, or screws. When selecting a fastener be sure it's designed to support the weight of the product being installed (if you're not sure, either give us a call or ask a professional at your local hardware store). Once obtained, follow the fastener manufacturer's instructions regarding proper installation.

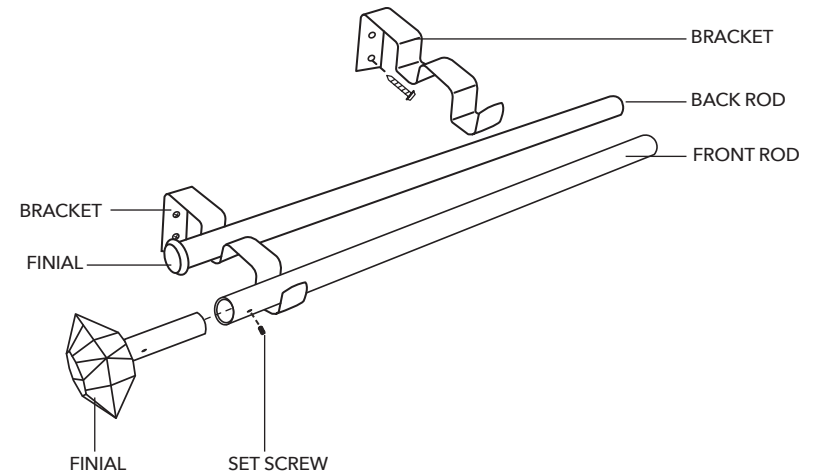
TOOLS YOU WILL NEED TO INSTALL YOUR HARDWARE:

Pencil, screwdriver, 1/4" nut driver, level, and a drill with a 7/64" drill bit.

Note: It's important to monitor the amount of pressure you apply when using a drill. If the screws are too tight this may cause the screw itself to break off in the wall or window frame.

 <p>REGULAR SCREWS</p>	 <p>STANDARD DOUBLE & CENTER BRACKET</p>	 <p>DOUBLE BRACKET FOR ONE WAY DRAW</p>
 <p>DOUBLE CENTER PASS BRACKET</p>	 <p>REGULAR RINGS</p>	 <p>C-RINGS</p>
 <p>SCREWDRIVER & PENCIL (NOT INCLUDED)</p>	 <p>POWER DRILL & LEVEL (NOT INCLUDED)</p>	 <p>ALLEN WRENCH & SET SCREWS</p>

Crystal Double Rod Set



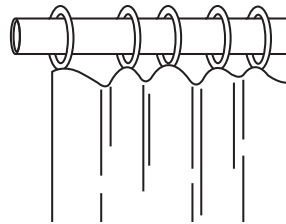
ROD QTY	BRACKET QTY	ROD WIDTH
2	2	12" - 48"
2	3	48 1/4" - 96"
4	3	96 1/4" - 108"
4	5	108 1/4" - 192"
4	7	192 1/4" - 204"
8	7	204 1/4" - 312"
12	9	312 1/4" - 384"

*Note: Width determines if rod comes with a rod connector.

Mounting the Brackets

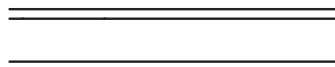
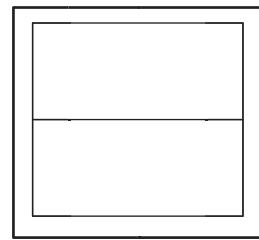
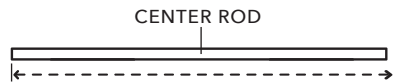
STEP 1:

Place the panel on the rod. To ensure it drapes at the correct length, hold it up to the spot you wish to install it. Raise or lower your treatment as desired. After you've located the ideal location, use a pencil to mark the wall above the window or door frame where the top of the rod is resting.



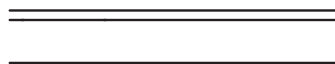
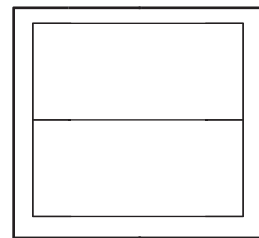
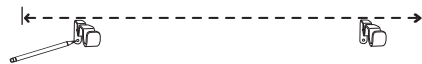
STEP 2:

Remove the panel from the rod and then center the rod over the window opening at the desired height. Using the pencil, mark where the ends of each rod are positioned; if you're using a center bracket, note the middle point between these two spots as well. Measure 2" inward from the marks you've made on both ends and mark those spots. This is where the brackets will be installed.



STEP 3:

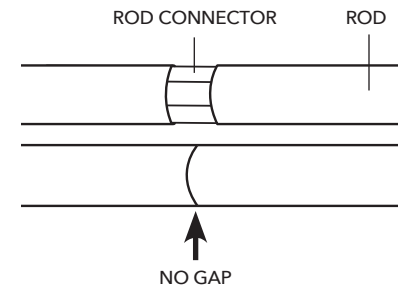
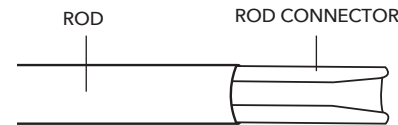
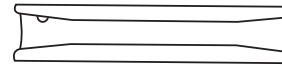
Place the top of the bracket directly at the marked height and then note the location of the bottom screw hole with your pencil. Once you've established where everything should go, put the bracket aside and double-check to make sure the pencil marks are level with each other. Next, pre-drill the holes in their assigned spot, making sure it's the right depth for the supplied screws. Install your brackets.



Rod Connector

Depending on your order, you may have received a rod connector. A rod connector is the short piece of metal tubing placed inside each end of the rods in a multi-segment system to join them together.

ROD CONNECTOR



STEP 1:

On the open end of one-rod segment, slide the connector halfway inside, leaving the other half exposed.

STEP 2:

Now slide the second rod segment over the exposed end of the connector, making sure there is no gap between the two segments.

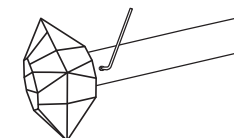
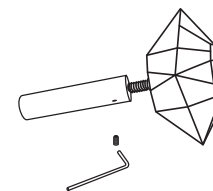
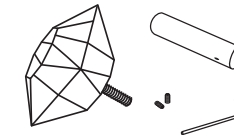
STEP 4 - ATTACHING THE FINIALS

Attaching the Finials

Crystal finials will come with a threaded base, insert post and set screws.

STEP 1:

Screw the finial into the threaded post end.



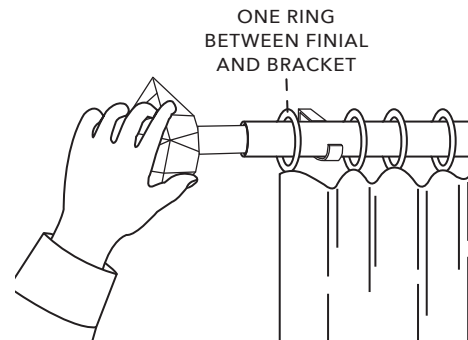
STEP 2:

Insert the posts into the ends of the rod and tighten the set screws with the supplied allen wrench.

STEP 4:

For treatments using rings: attach the finial to one end of the rod, place the required number of rings on the rod, and then cap the opposite end with the second finial. When placing the rod on the bracket, if drapery is opening from the center, leave one ring between the finial and bracket on each side. If the drapery is opening from one side only, put the ring between the finial and the bracket on the opposite side of where you are opening from. This will prevent drapery to be pulled all the way to one side or the other when opening and closing it.

For treatments without rings: Attach the finial to one end of the rod, position the drapery panels on rod, and then cap the opposite end with the second finial.



Tiebacks (Optional)

STEP 1

In order to locate where to install your tiebacks, measure the height of the window and divide this by two.

STEP 2

Using the previous calculation, mark that spot on the wall with a pencil. To ensure you like the way the panel drapes, gather one side and sweep it over to the approximate proposed location.

STEP 3

Once you're sure the tieback is in the perfect location, use your pencil to mark the spot to install it.

STEP 4

Measure the distance from the bottom or top of the window to the tieback to mark the other side and ensure they're even.

STEP 5

Now hold the tieback hardware on the wall at the desired location and rest a level above it, adjusting it until it's straight.

STEP 6

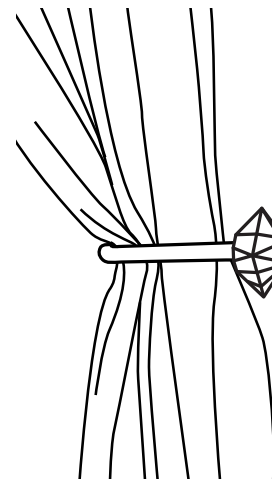
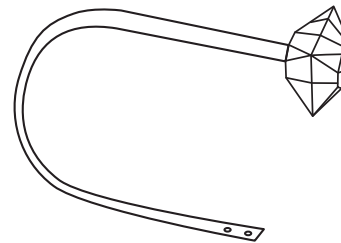
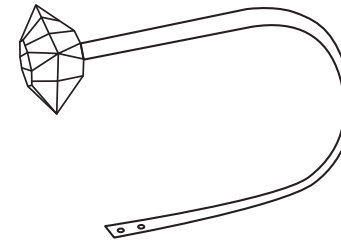
Run the pencil along the top border of the tieback as a guideline then make a mark through the screw holes so you know exactly where to install the wall anchors.

STEP 7

Install anchors. Use screws provided to secure the back to anchors.

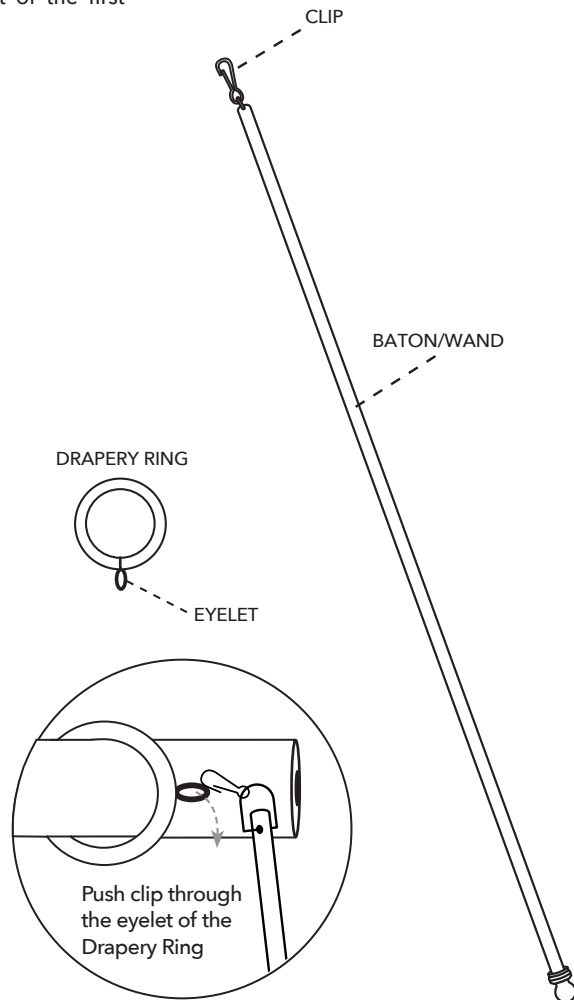
Make sure opening of tieback faces away from the window.

Repeat process on the other side.



Baton/Wand (optional)

After your hardware is installed, attach the baton to the eyelet of the first ring by the clip.



Care & Cleaning

Minimal care and cleaning is needed to maintain the beauty of your hardware.

Gentle feather dusting is all that is required to keep your hardware looking fresh and neat.

To Vacuum: Use brush or dust head attachment.

Warranty Service

The enjoyment of your hardware should be everlasting, which is why our products come with a limited lifetime warranty. The warranty applies to the original owner, requires a proof of purchase (hang on to your receipt!) and covers defects in material or craftsmanship. Hardware must have been properly installed. We reserve the right to determine if your hardware warrants a repair or a replacement. Visit smithandnoble.com/guarantee to see full details. In need of warranty service? Call us at 800.248.8888 and we'll arrange for a repair or replacement ASAP.
