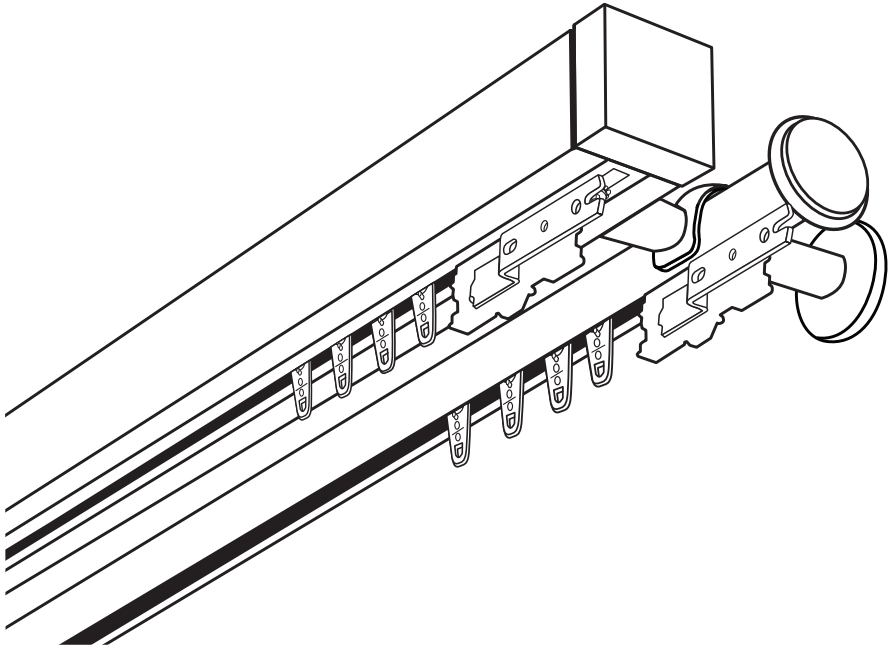


SMITH & NOBLE

STEP BY STEP INSTALLATION INSTRUCTIONS

Studio Hardware



Wall Mount
Double Rod Set
Traversing

Everything You Need

A Smooth Set-Up

We want you to love your new hardware and that includes having a smooth installation experience. We recommend saving this guide. If you encounter any difficulties or questions, please reach out to us for help. It's why we're here. Call us at 800.248.8888 for more info on installation.

We recommend you hold on to all packaging until your window coverings are fully installed. Should something go wrong (we strongly doubt it), we want any potential returns to be a painless as possible.

Customer Service Hours

Monday – Friday: 6am – 6pm PT

Saturday – Sunday: 7am – 4pm PT

smithandnoble.com



Table of Contents

<i>Step 1 -</i>	Getting Started	3
<i>Overview -</i>	Wall Mount Double Rod Set Traversing	4
<i>Step 2 -</i>	Mounting the Brackets	5 - 6
<i>Step 3 -</i>	Attaching Rods Together.	7
<i>Step 4 -</i>	Attaching the Finials	7
<i>Step 5 -</i>	Securing Rod to Brackets	8
<i>Accessories -</i>	Baton/Wand (optional)	9
	Care & Cleaning	10
	Warranty	Back Cover

Getting Started

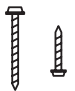
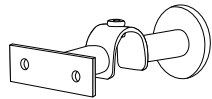

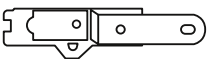
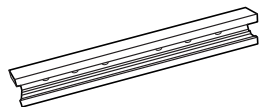

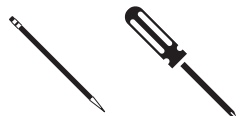



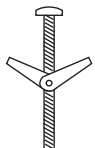
First, make sure you have all the parts and tools required to install your shades.

ALL THE HARDWARE YOU'LL NEED:

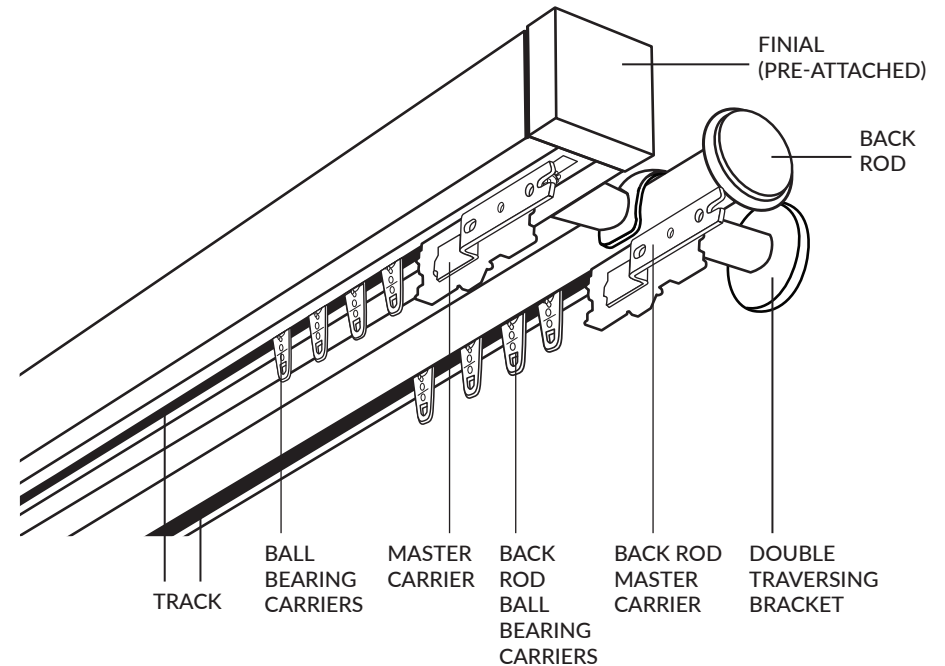
Pencil, tape measure, screwdriver, 1/8" drill bit, level, a drill with a 3/16" drill bit, a hammer and a 7/16" wrench. Then find wooden studs where you'll want to attach the brackets; if you need to mount your shades to wallboard or plaster, use a secure fastener designed for hollow wall applications. For metal surfaces, pre-drill holes and use the included screws. For concrete, stone, brick, or tile surfaces, use a masonry drill and appropriate plugs, anchors, or screws.

It's important when selecting a fastener to make sure it's designed to support the weight of the shade. Follow the fastener manufacturer's instruction from there on out. (see anchor screws below)

Note: It's important to monitor the amount of pressure you apply when using a drill. If the screws are too tight this may cause the screw itself to break off in the wall or window frame.

 <p>SCREWS</p>		 <p>DOUBLE TRAVERSING BRACKET</p>	
 <p>BALL BEARING CARRIER</p>	 <p>MASTER CARRIER</p>	 <p>ROD CONNECTOR</p>	
 <p>POWER DRILL (NOT INCLUDED)</p>	 <p>PENCIL & SCREWDRIVER (NOT INCLUDED)</p>	 <p>LEVEL (NOT INCLUDED)</p>	
<p>Anchor Screws (NOT INCLUDED)</p>	 <p>MOLLY BOLT</p>	 <p>SELF DRILLING ANCHOR</p>	 <p>TOGGLE BOLT</p>

Wall Mount Double Rod Set Traversing



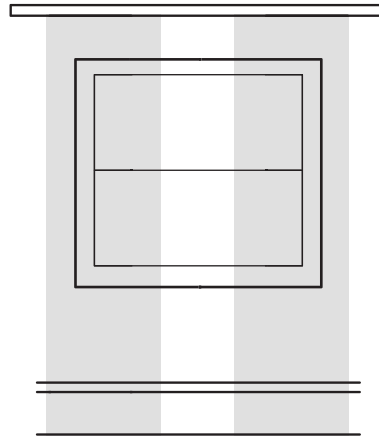
BRACKET SCHEDULE

ROD QTY	BRACKET QTY	ROD WIDTH
2	2	12" – 48"
2	3	48 1/8" – 96"
4	5	96 1/8" – 192"

Step 2 – Mounting Brackets

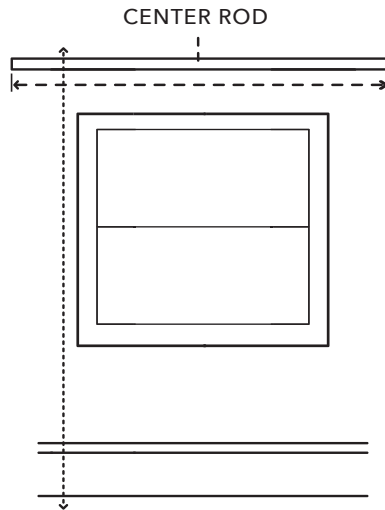
STEP 1:

Place the panel on the rod. To ensure it drapes at the correct length, hold it up to the spot you wish to install it. Raise or lower your treatment as desired. After you've located the ideal location, use a pencil to mark where the top of the rod is resting.



STEP 2:

Remove the panel from the rod and then center the track over the window opening at the desired height. Using the pencil, mark where the ends of track are positioned. If you're using a center bracket, note the middle point between these two spots as well. Measure 4 1/2" inward from the marks you've made on both ends and mark those spots. This is where the brackets will be installed.

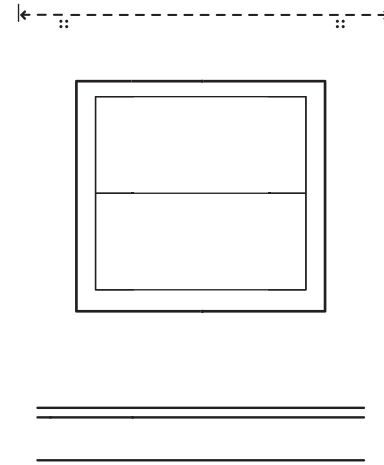


Step 2 – Mounting Brackets

STEP 3:

Drill 4 pilot holes per side for each bracket using 1/8" drill bit. If there is no wood backing behind drywall then drill bigger holes using 3/16" drill bit and insert drywall anchors using hammer.

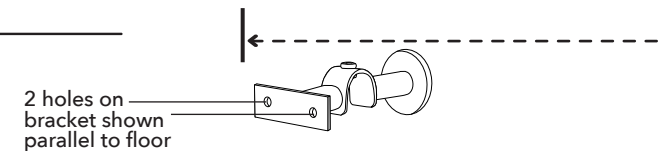
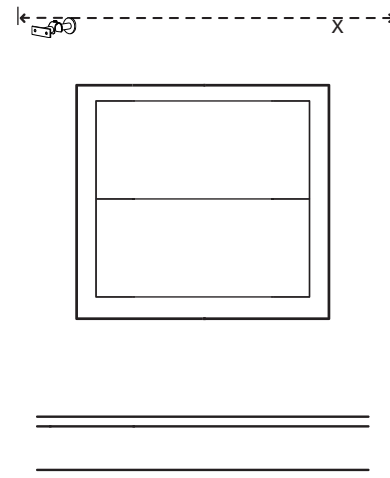
Note: Do not use 3/16" drill bit or use anchors if there is wood backing behind drywall.



STEP 4:

Attach wall brackets using screws provided. Place wall plate covers over threaded studs and hand tighten bracket onto wall plate until snug. Turn bracket until the 2 holes on bracket are parallel to the floor.

Repeat for remaining brackets.



NOTE: Attach bracket to mounting plate. Then turn bracket until the 2 holes on bracket are parallel to the floor.

Step 3 – Attaching Rods Together

STEP 1:

If a rod was spliced, it will have the aluminium mounting track and traverse track extending past the end of the segment. Connect these two end points by sliding the ends together (Figure 1). Align pre-drilled holes with both tracks and hand tighten screws using screws provided (Figure 2).

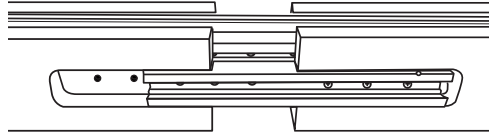


FIG. 1



FIG. 2

STEP 2:

If back rod was spliced, remove the screw from the middle of the rod segment connector and slide segments together (Figure 3). Secure rod segments together with the screw, leaving the center hole on the connector open for the center bracket (Figure 4).

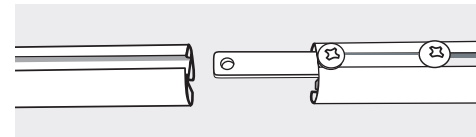


FIG. 3

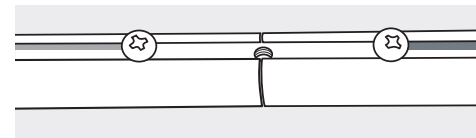
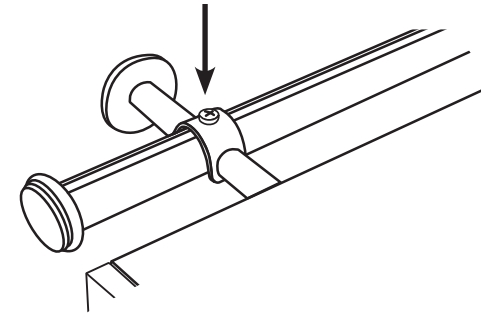


FIG. 4

Step 4 – Attaching Finials

Finials will come already attached to the rods.

Step 5 – Securing the Rod to Brackets

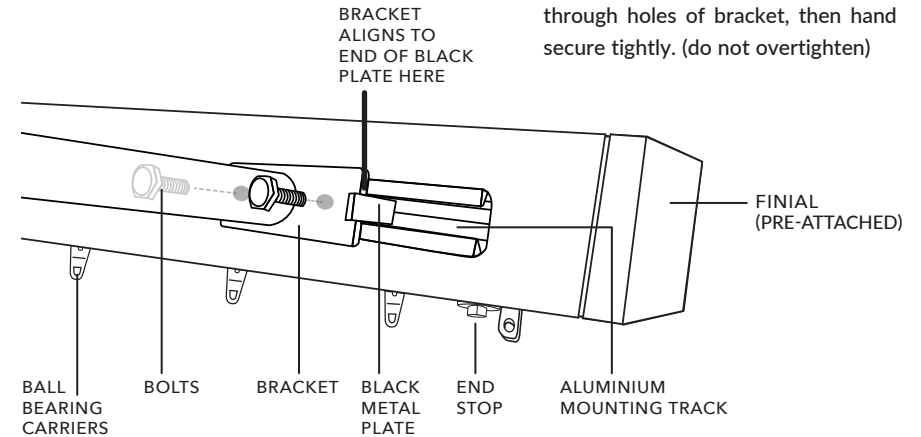


Attach the metal back rod to the back cradle of the bracket by screwing it in place.

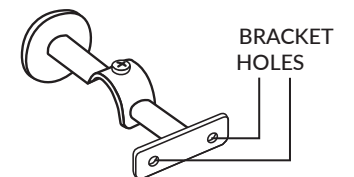
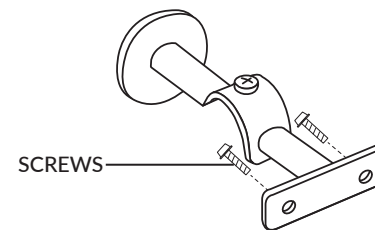
Repeat for all brackets until rod is attached to all the brackets.

To attach wood rod to brackets, unscrew the bolts in the black metal plate in the aluminium mounting track.

Align the bracket to the end of the black metal plate and slide bolts through holes of bracket, then hand secure tightly. (do not overtighten)



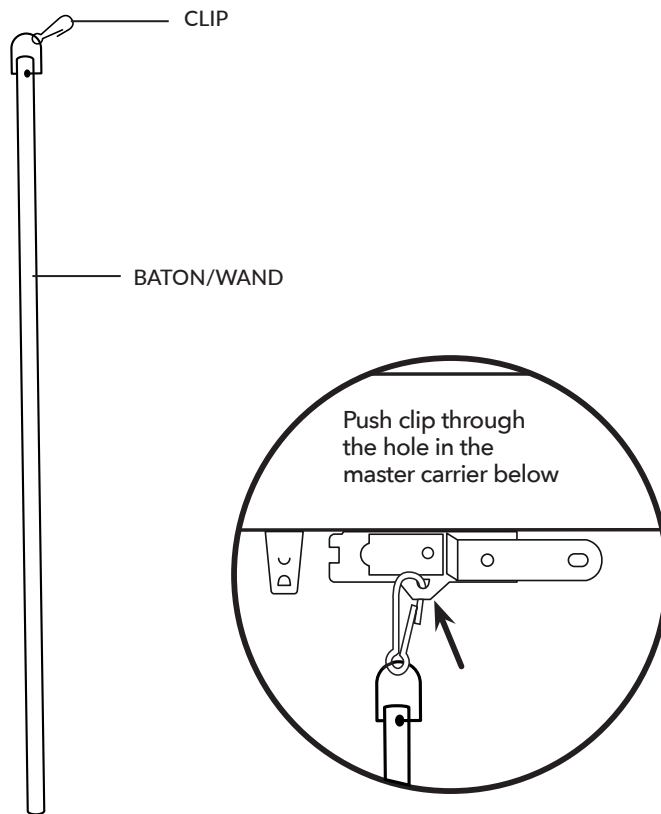
Proceed to do the same with all brackets until they are all attached to the rod. Hand tighten nuts firmly using $\frac{3}{16}$ " wrench.



Accessories (optional)

Baton/Wand (optional)

After your hardware is installed, attach the baton to the second hole of the master carrier by the clip.



Care & Cleaning

Care & Cleaning

Minimal care and cleaning is needed to maintain the beauty of your hardware.

To Vacuum: Use a hand-held vacuum or dust head attachment for a more thorough cleaning.

To Dust: Use a soft, clean cloth.

Warranty Service

The enjoyment of your hardware should be everlasting, which is why our products come with a limited lifetime warranty. The warranty applies to the original owner, requires a proof of purchase (hang on to your receipt!) and covers defects in material or craftsmanship. Hardware must have been properly installed. We reserve the right to determine if your hardware warrants a repair or a replacement. Visit smithandnoble.com/guarantee to see full details. In need of warranty service? Call us at **800.248.8888** and we'll arrange for a repair or replacement ASAP.