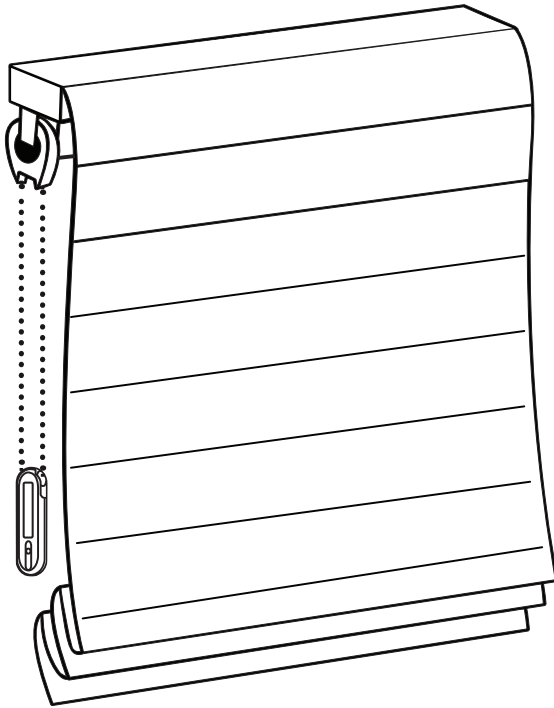


# SMITH & NOBLE

---

Step by Step Installation Instructions

## *Fabric Shades*



Loop Control

---

---

# Everything You Need

## A Smooth Set-Up

We want you to love your new window coverings and that includes having a smooth installation experience. If you encounter any difficulties or questions, please reach out to us for help. It's why we're here. Call us at 800.248.8888 or visit [www.smithandnoble.com/knowhow](http://www.smithandnoble.com/knowhow) for more info on installation.

We recommend you hold on to all packaging until your window coverings are fully installed. Should something go wrong (we strongly doubt it), we want any potential returns to be a painless as possible.

---

### *Customer Service Hours*

Monday – Friday: 6am – 7pm PT

Saturday – Sunday: 7am – 4pm PT

[smithandnoble.com](http://smithandnoble.com)



---

## Table of Contents

|                   |                                      |      |
|-------------------|--------------------------------------|------|
| <i>Step 1</i> -   | Getting Started .....                | 3    |
| <i>Step 2</i> -   | Mounting the Brackets.....           | 4    |
| <i>Step 3</i> -   | Attaching the Loop Control .....     | 5    |
| <i>Step 4</i> -   | Operating & Dressing Your Shade..... | 5-6  |
| <i>Optional</i> - | Troubleshooting.....                 | 6    |
|                   | Care & Cleaning .....                | Back |
|                   | Safety .....                         | Back |
|                   | Warranty.....                        | Back |

## Step 1 – Getting Started

### Getting Started

Before you begin, check the accompanying diagram to make sure you have all the parts you need.

You'll need to make sure the surface you intend to install your hardware is sturdy enough to accommodate the brackets. If you're screwing directly into a surface this means locating wood studs that are strong enough to securely bond with the included screws. Otherwise, you'll need to use a secure fastener (as illustrated) but please note this piece is not included.



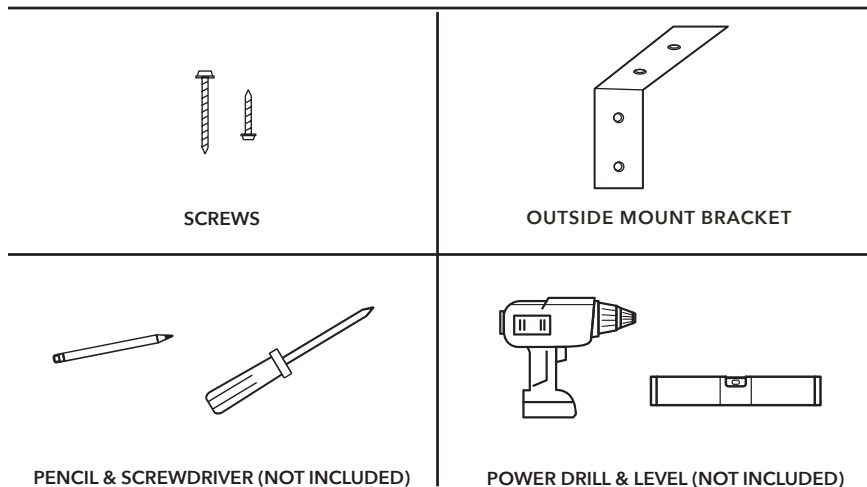
**WALLBOARD OR PLASTER:** Hollow wall applications: Use a secure fastener designed specifically for this purpose.

**METAL:** Prepare by pre-drilling holes and then using the included screws.

**CONCRETE, STONE, BRICK OR TILE:** Use a masonry drill and surface-specific plugs, anchors, or screws. When selecting a fastener be sure it's designed to support the weight of the product being installed (if you're not sure, either give us a call or ask a professional at your local hardware store). Once obtained, follow the fastener manufacturer's instructions regarding proper installation.

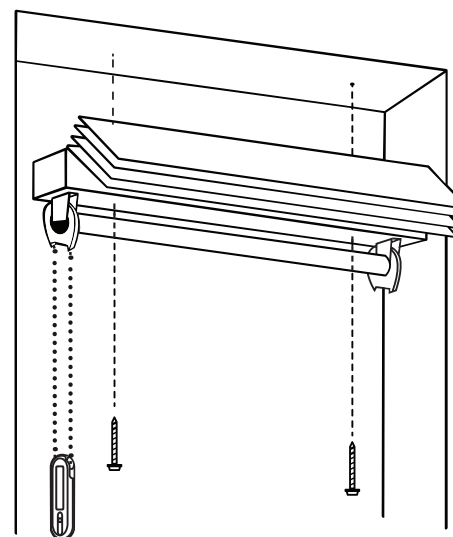
**TOOLS YOU WILL NEED TO INSTALL YOUR HARDWARE:** Pencil, screwdriver, 1/4" nut driver, level, and a drill with a 7/64" drill bit.

*Note: It's important to monitor the amount of pressure you apply when using a drill. If the screws are too tight this may cause the screw itself to break off in the wall or window frame.*



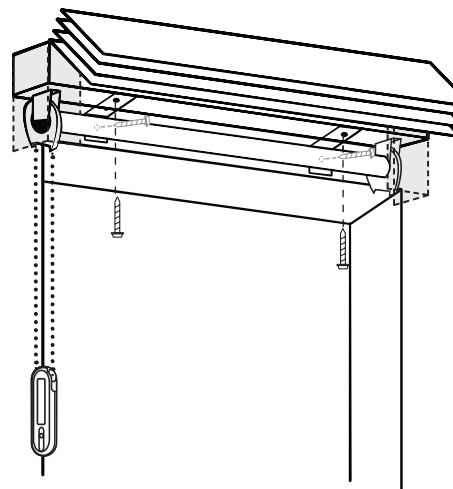
## Step 2 – Mounting the Brackets

### Inside Mount



Hold the shade inside the window frame so that the front edge of the shade and the front edge of the window line up. Don't forget to keep it centered, should be a tight fit not much space to move around. With the shade positioned exactly as you'd like it, press a screw through each of the riveted holes on the headrail. The screws' tips will leave small indentations in the window frame to help you keep track. Remove the shade and use a 7/64" drill bit to pre-drill the mounting holes. Then attach the shade with the screws provided into the pre-drilled holes using the drill and the 1/4" nut driver.

### Outside Mount



Center the blind over the window opening at the desired height. Mark the position where the brackets are to be placed making sure the bracket won't interfere with the operating mechanism loop. Place the mounting brackets on the wall over the marks making sure the mounting brackets are level with one another. Secure with two long screws in each bracket making sure the screws hit a solid object otherwise use secure fastener. Set headrail on top of brackets and center shade, push back against wall/window. Pierce fabric, pre-drill mounting holes and attach shade to brackets using short screws - use front hole only.

| BRACKET QTY | SHADE WIDTH  |
|-------------|--------------|
| 2           | up to 36"    |
| 3           | 36 1/8"–72"  |
| 4           | 72 1/8"–96"  |
| 5           | 96 1/8"–120" |

Larger shades may require additional brackets. If this is the case, space the additional brackets equally along the top of the window opening and align with the end brackets.

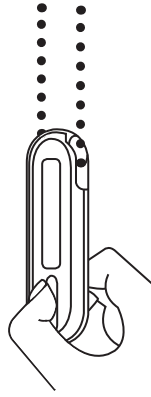
## Step 3 – Attaching the Loop Control

### Cord Tensioner Installation

Your window shade has arrived with the cord tensioner positioned near the head rail to comply with current child safety standards. The cord tensioner must be mounted and secured before the window shade will operate correctly.

The tension device reduces the hazards of strangulation and entanglement of young children by limiting access to the control cord.

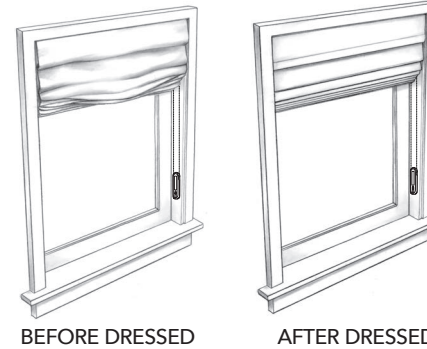
Please read the instructions included in the mounting hardware packet prior to installation.



## Step 4 – Operating & Dressing Your Shade

### Dressing Your Shade

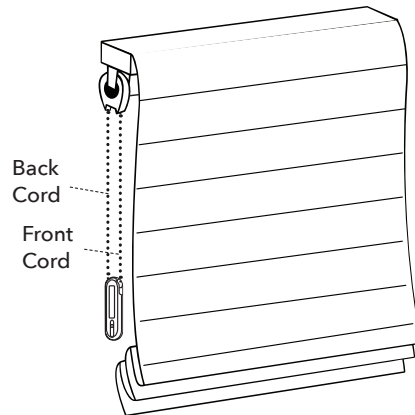
Once installed, you'll want your Smith & Noble shades to look as stylized as they do in our catalog; to "dress" your shade simply smooth folds as you raise the shade. Your shade will gradually develop a pleat/fold memory and minimal dressing will be needed.



## Step 4 – Operating & Dressing Your Shade

### Operating Your Shade

Opening and closing your new Smith & Noble shades is entirely hassle-free. To lower shade, pull the front cord down. To raise shade, pull the back cord down until it's at your desired height then release.



### Optional - Troubleshooting

| PROBLEM   | SOLUTION  |
|---|---|
| The shade will not raise or lower                           | Make sure the lift cords aren't caught under mounting brackets or screws. If they are, then simply remove them. Make sure cord tensioner is attached to bracket or wall.                            |
| Only one side of the shade moves when draw cords are pulled | The shade may be caught on an obstruction such as a window crank or latch; if this is the case feel free to untangle.   |
| Lift cord came out of cord leveler                          | Simply re-thread cord.  |
| Shade hangs uneven  | Adjust cord levelers on back of shade by simply pushing in on the bottom to release cord. Slowly move up/down to adjust shade level, allows for a height adjustment up to 1/2" in either direction. |

If these suggestions don't work, then please give us a call or visit our website.

# Care & Cleaning/Safety

---

## Care & Cleaning

Occasional light vacuuming with a soft bristle attachment or gentle feather dusting is all that is required to keep your shades looking fresh and neat.

---

## Safety First. Style Second To None™.

Great style should never come at the cost of safety. Every Smith & Noble window treatment conforms strictly to today's safety standards, including permanent tie-down devices and built-in cord stops. To protect young children and pets, Loop Control works with a cord tensioner, which must be mounted to your window frame or wall. The shade or blind will not work if the cord tensioner is not mounted.



## Child Safety

---

## Warranty Service

The enjoyment of your window covering should be everlasting, which is why our products come with a limited lifetime warranty. The warranty applies to the original owner, requires a proof of purchase (hang on to your receipt!) and covers defects in material or craftsmanship. Hardware must have been properly installed. We reserve the right to determine if your hardware warrants a repair or a replacement. Visit [smithandnoble.com/guarantee](http://smithandnoble.com/guarantee) to see full details. In need of warranty service? Call us at 800.248.8888 and we'll arrange for a repair or replacement ASAP.

---