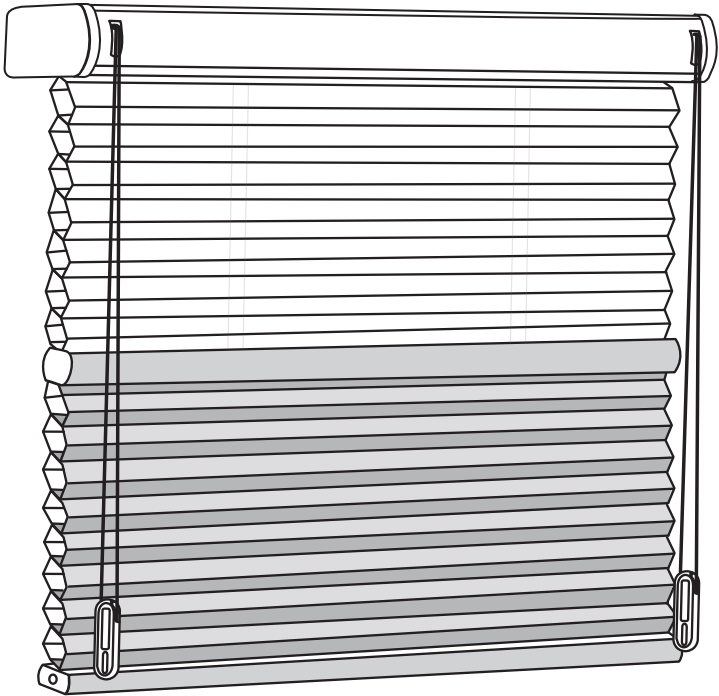


# SMITH & NOBLE

---

STEP BY STEP INSTALLATION INSTRUCTIONS

# Day/Night Honeycomb Shades



Loop Control

---

---

# Everything You Need

## A Smooth Set-Up

We want you to love your new window coverings and that includes having a smooth installation experience. We recommend saving this guide. If you encounter any difficulties or questions, please reach out to us for help. It's why we're here. Call us at 800.248.8888 for more info on installation.

We recommend you hold on to all packaging until your window coverings are fully installed. Should something go wrong (we strongly doubt it), we want any potential returns to be as painless as possible.

---

### *Customer Service Hours*

Monday – Friday: 6am – 6pm PT

Saturday – Sunday: 7am – 4pm PT

[smithandnoble.com](http://smithandnoble.com)



---

## Table of Contents

<i>Step 1 -</i>	Getting Started . . . . .	3
<i>Overview -</i>	Loop Control . . . . .	4
<i>Step 2 -</i>	<b>Mounting the Brackets . . . . .</b>	<b>5 - 6</b>
	Inside Mount . . . . .	5
	Side Mount with Extension Brackets (optional) . . . . .	5
	Outside Mount . . . . .	6
	Extension Brackets (optional). . . . .	6
	Spacer Blocks (optional) . . . . .	6
<i>Step 3 -</i>	Hanging the Shade . . . . .	7
	Removing the Shade . . . . .	7
<i>Step 4 -</i>	Installing Cord Tensioner . . . . .	8
	Operating the Shade . . . . .	8
<i>Optional -</i>	Hold Down Brackets (optional) . . . . .	9
	Leveling the Bottom Rail . . . . .	9
	Care & Cleaning . . . . .	10
	Safety . . . . .	10
	Warranty . . . . .	Back Cover

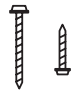


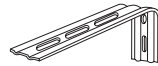



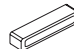
## Getting Started

First, make sure you have all the parts and tools required to install your shades.

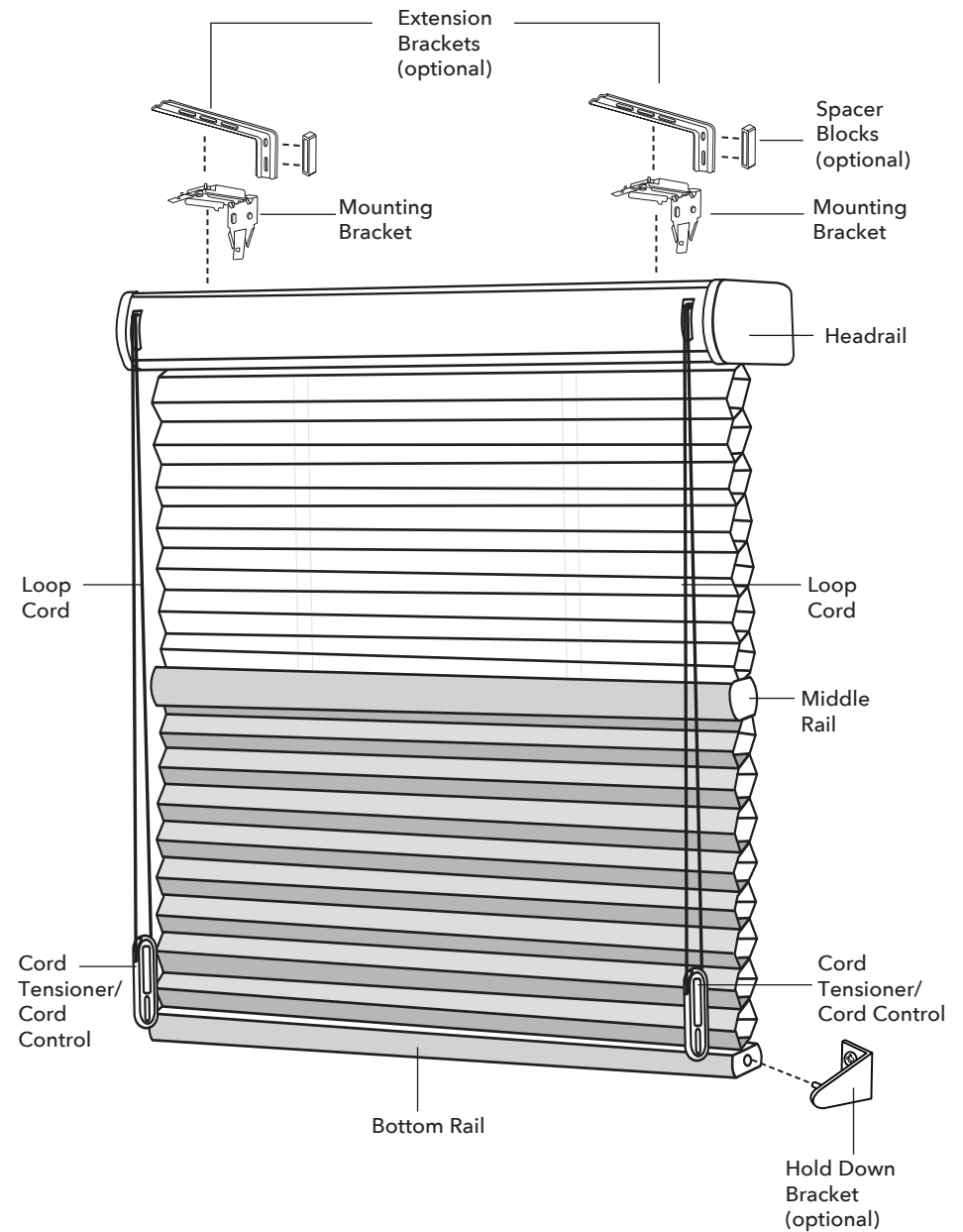
**ALL THE HARDWARE YOU'LL NEED:** Pencil, screw-driver, ¼" nut driver, level, and a drill with a 1/16" drill bit.

Locate wooden studs where you'll want to attach the brackets; if you need to mount your shades to wallboard or plaster, use a secure fastener designed for hollow wall applications. For metal surfaces, pre-drill holes and use the included screws. For concrete, stone, brick, or tile surfaces, use a masonry drill and appropriate plugs, anchors, or screws.

It's important when selecting a fastener to make sure it's designed to support the weight of the shade. Follow the fastener manufacturer's instruction from there on out.

 <p><b>SCREWS</b></p>	 <p><b>MOUNTING BRACKETS</b></p>
 <p><b>LEVEL (NOT INCLUDED)</b></p>	 <p><b>EXTENSION BRACKET (OPTIONAL)</b></p>
 <p><b>SCREW DRIVER &amp; PENCIL (NOT INCLUDED)</b></p>	 <p><b>HOLD DOWN BRACKET (OPTIONAL)</b></p>
 <p><b>POWER DRILL (NOT INCLUDED)</b></p>	 <p><b>SPACER BLOCK (OPTIONAL)</b></p>

## Loop Control



## Step 2 – Mounting Brackets

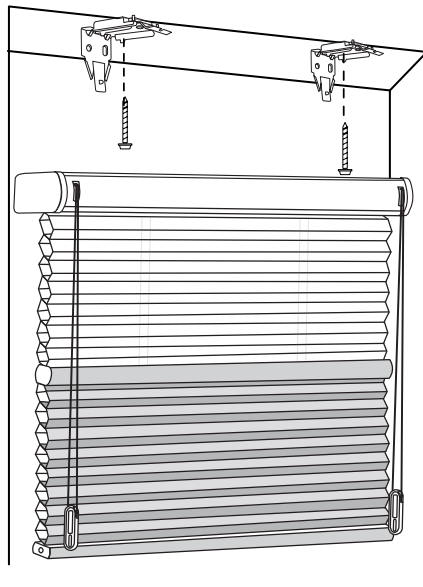
### Inside Mount

Hold the shade inside the window frame so that the front edge of the shade and the front edge of the window line up. Don't forget to keep it centered (you'll want the spaces between the ends of the headrail and window edges to be equal).

End brackets should be located 2½" in from each end.

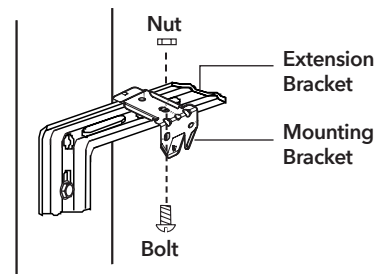
Attach the two brackets flat against the top window sill frame. Use the top bracket holes.

2	up to 40"
3	40⅞ – 72"
4	72⅞ – 84"
5	84⅞ – and up



### Side Mount with Extension Brackets (optional)

Measure from window sill up to desired mounting position on each side of the window frame. Mark position. Mount Extension Brackets on each side of window frame, as shown. Make sure to confirm that the headrail will sit perfectly level. Once the Extension Brackets are installed and properly positioned, attach the mounting brackets using the nuts and bolts provided.



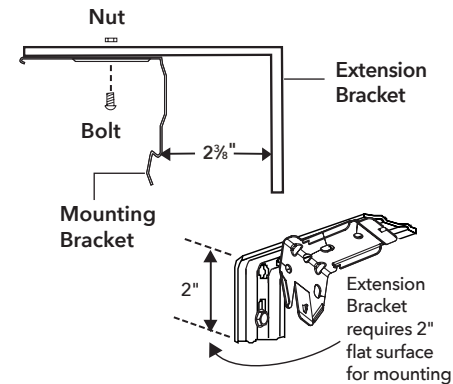
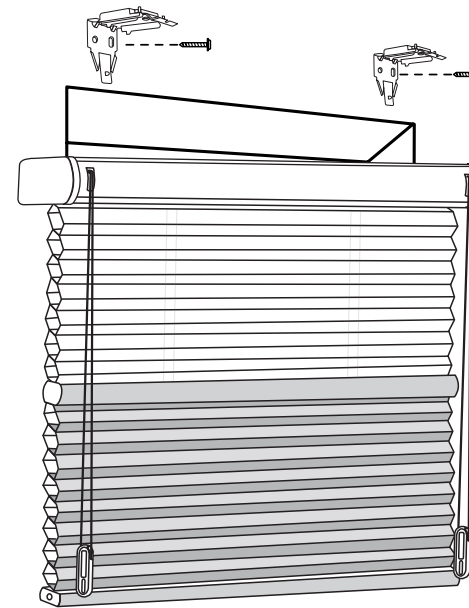
## Step 2 – Mounting Brackets

### Outside Mount

First, hold the shade above the window so that it's perfectly centered. Using a pencil, mark where the ends of the headrail hit the window frame or wall.

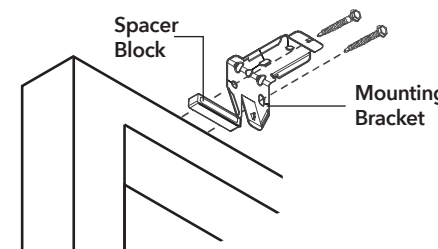
(NOTES on accuracy: Brackets should be evenly spaced, level with one another, and not too close to the headrail's edges and operating mechanism.)

Next, using the screws provided, mount the brackets to the window frame or wall above the window using the provided screws. Use the rear bracket holes. The bracket requires a minimum surface of ⅞" high.



### Extension Brackets (optional)

Optional Extension Brackets are used to project the back of the shade up to 2⅞" from the mounting surface. Attach the Installation Bracket to the Extension Bracket with the nut and bolt provided.



### Outside Mount with Spacer Block (optional)

Optional Spacer block will project bracket ⅞" from the mounting surface.

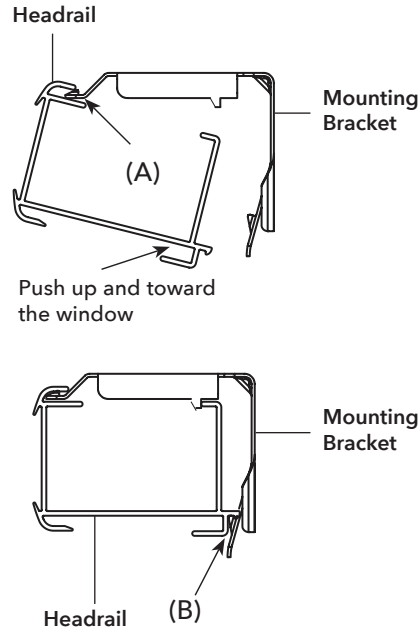
## Step 3 – Hanging & Removing the Shade

### Inserting the Headrail

First, lower the middle and bottom rails about an inch. This will help keep the fabric from getting caught between the brackets and the headrail.

Position the headrail with the front lip (A) resting on the top hooks of all the brackets. Make sure that no fabric is pinched between the brackets and the headrail.

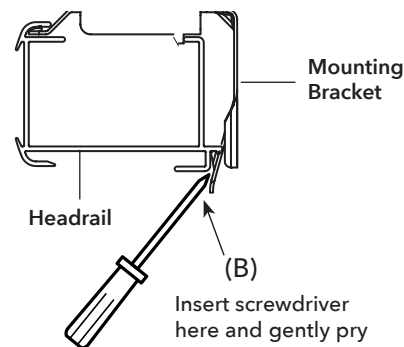
Push the bottom of the headrail firmly upwards and toward the window until the groove at the bottom of the headrail snaps into place, (B) as shown.



### Removing the Shade

Figure (B) - To remove a shade, insert a screwdriver between the headrail and the bottom back of the bracket (tab which extends out slightly from each bracket). Gently pry the screwdriver to release the bracket from the headrail. Take care not to damage the headrail.

As you release the brackets, support the headrail to keep it from falling.



## Step 4 – Operating the Shade

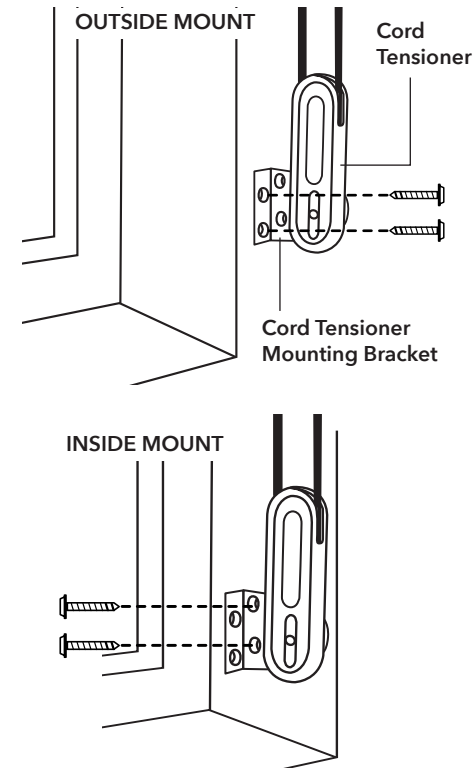
### Cord Tensioner Installation

Your window shade has arrived with the cord tensioner positioned near the head rail to comply with current child safety standards. The cord tensioner must be mounted and secured before the window shade will operate correctly.

The tension device reduces the hazards of strangulation and entanglement of young children by limiting access to the control cord.

*The cord tensioner must be installed to make the shade fully operational.*

*Please read the instructions included in the cord tensioner mounting hardware packet prior to installation.*



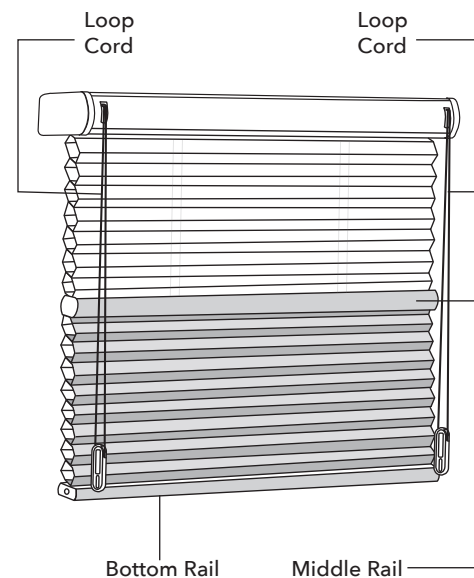
### Operating the Shade

The right cord loop operates the middle rail. The left cord loop operates the bottom rail.

Pulling down on the back cord will lower the shade. Pulling down on the front cord will raise the shade.

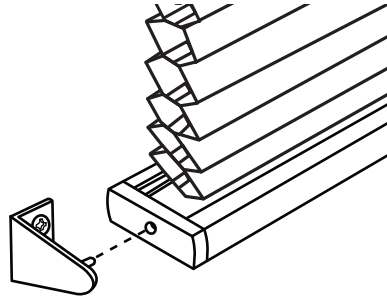
Do not lift the bottom rail with your hands. Also, be careful not to place objects on the window sill that will interfere with operating the shade or cause it to hang unevenly.

**NOTE:** *The cord tensioner must be installed to make the shade fully operable.*



### Hold Down Bracket (optional)

Optional Hold Down Brackets are mounted with the supplied screws. With the shade at its proper drop, place the pin of each Hold Down into the hole in each End Cap and make sure the pins are level and aligned. Mark the screw holes with a pencil. Raise the shade, then screw the Hold Down Bracket into the mounting surface.



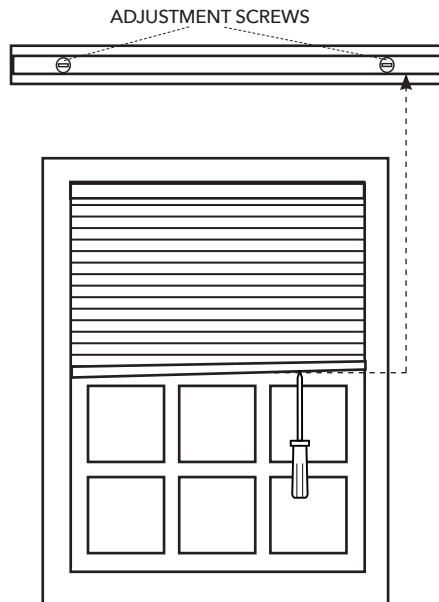
### Level the Bottom Rail

Honeycomb Shades use a system that allows easy leveling of the bottom rail. It is designed to make slight adjustments (Less than 1") to level the moving rails of your shade. It is not designed to make length adjustments.

Use a flat head screwdriver or a coin (a quarter works the best) to turn the adjustment screw to raise or lower that side of the bottom rail. The adjustment screw is on the underside of the bottom rail.

One quarter turn of the screw will move the bottom rail up or down approximately  $\frac{1}{4}$ ".

Over-turning the adjustment screw (more than 1" of adjustment) can cause the cord to tangle or wedge inside the rail. The screw should turn easily - Do Not Force.



### Care & Cleaning

Minimal care and cleaning is needed to maintain the beauty of your shades.

**To Vacuum:** Use brush or dust head attachment.

**To Dust:** Use soft, clean cloth.

### Safety First. Style Second To None™

Great style should never come at the cost of safety. Every Smith & Noble window treatment conforms strictly to today's safety standards, including permanent tie-down devices and built-in cord stops. To protect young children and pets, there's no better way to eliminate risk than to use one of our Motivia motorized products.



---

## Warranty Service

The enjoyment of your window coverings should be everlasting, which is why our products come with a limited lifetime warranty. The warranty applies to the original owner, requires a proof of purchase and covers defects in material or craftsmanship. Shades or blinds must have been properly installed. We reserve the right to determine if your window covering warrants a repair or a replacement. In need of warranty service? Call us at 800.248.8888 and we'll arrange for a repair or replacement ASAP.

---