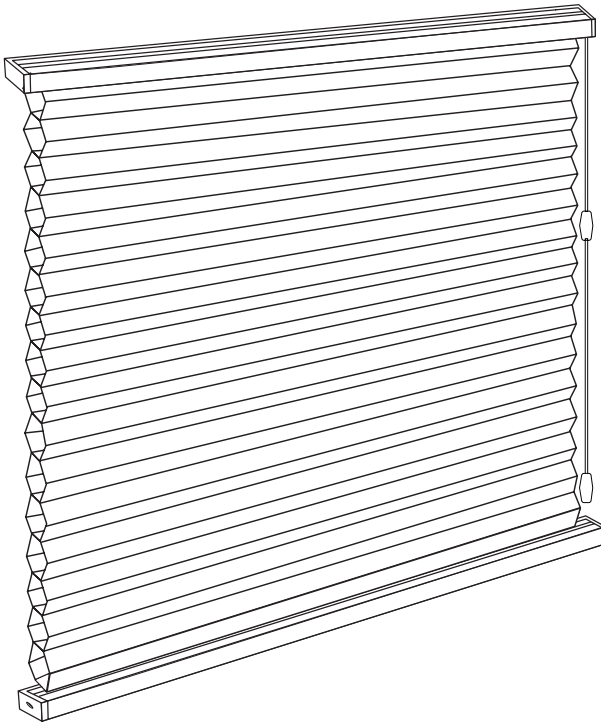


SMITH & NOBLE

STEP BY STEP INSTALLATION INSTRUCTIONS

Honeycomb Shades



Standard Control,
Top Down/Bottom Up &
Standard 2-on-1

Everything You Need

A Smooth Set-Up

We want you to love your new window coverings and that includes having a smooth installation experience. If you encounter any difficulties or questions, please reach out to us for help. It's why we're here. Call us at 800.248.8888 or visit www.smithandnoble.com/knowhow for more info on installation.

We recommend you hold on to all packaging until your window coverings are fully installed. Should something go wrong (we strongly doubt it), we want any potential returns to be a painless as possible.

Customer Service Hours

Monday – Friday: 6am – 7pm PT

Saturday – Sunday: 7am – 4pm PT

smithandnoble.com



Table of Contents

<i>Step 1 -</i>	Getting Started	3
<i>Overview -</i>	Standard Control, Top Down/Bottom Up & 2-on-1	4
<i>Step 2 -</i>	Mounting the Brackets	5 - 6
	Inside Mount, Outside Mount, Side Mount, Extension Brackets	
<i>Step 3 -</i>	Hanging the Shade	7
	Breakaway Cord Connector	7
<i>Step 4 -</i>	Operating the Shade	8
<i>Step 5 -</i>	(Optional) Hold Down Brackets	9
	Level the Bottom Rail	9
	Care & Cleaning	10
	Safety	10
	Warranty	Back Cover

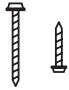
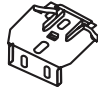

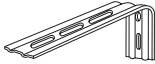

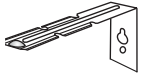
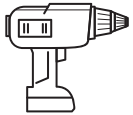
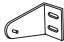
Getting Started

First, make sure you have all the parts and tools required to install your shades.

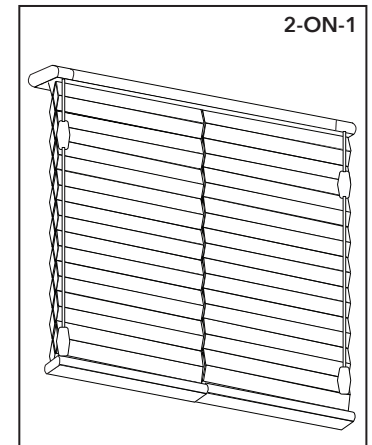
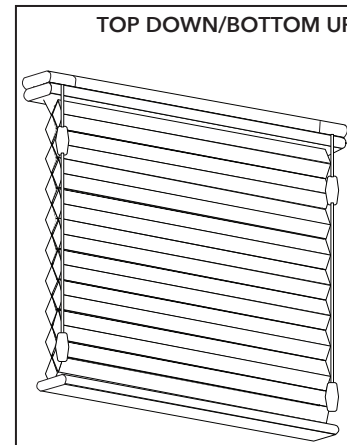
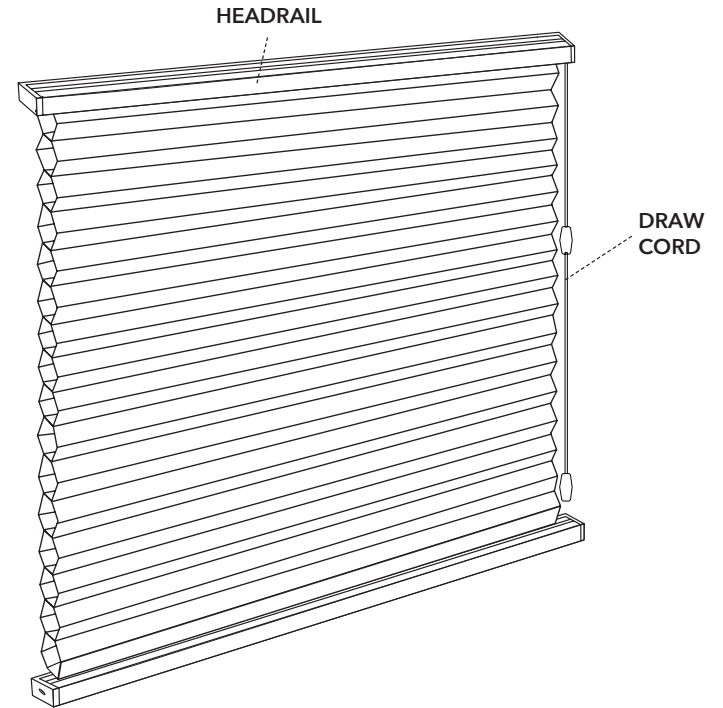
ALL THE HARDWARE YOU'LL NEED: Pencil, screw-driver, ¼" nut driver, level, and a drill with a 1/16" drill bit.

Locate wooden studs where you'll want to attach the brackets; if you need to mount your shades to wallboard or plaster, use a secure fastener designed for hollow wall applications. For metal surfaces, pre-drill holes and use the included screws. For concrete, stone, brick, or tile surfaces, use a masonry drill and appropriate plugs, anchors, or screws.

It's important when selecting a fastener to make sure it's designed to support the weight of the shade. Follow the fastener manufacturer's instruction from there on out.

 <p>SCREWS</p>	 <p>MOUNTING BRACKETS</p>
 <p>LEVEL (NOT INCLUDED)</p>	 <p>STANDARD EXTENSION BRACKET (OPTIONAL)</p>
 <p>SCREW DRIVER & PENCIL (NOT INCLUDED)</p>	 <p>SIDE MOUNT BRACKET (OPTIONAL)</p>
 <p>POWER DRILL (NOT INCLUDED)</p>	 <p>HOLD DOWN BRACKET (OPTIONAL)</p>

Standard Control,
Top Down/Bottom Up &
Standard 2-on-1



Step 2 – Mounting Brackets

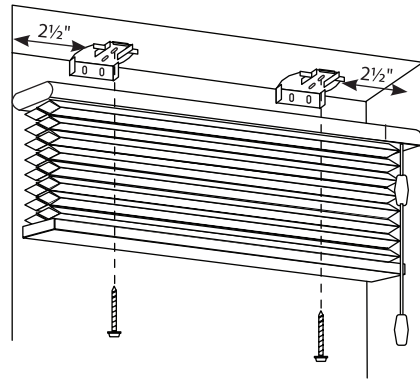
Inside Mount

Hold the shade inside the window frame so that the front edge of the shade and the front edge of the window line up. Don't forget to keep it centered (you'll want the spaces between the ends of the headrail and window edges to be equal). End brackets should be located 2½" in from each end.

Attach the two brackets flat against the top window sill frame. Use the top two bracket holes.

BRACKET QTY INSIDE MOUNT	BRACKET QTY OUTSIDE MOUNT	SHADE WIDTH
2	2	up to 40"
3	4*	40⅞"–72"
4	5*	72⅞"–84"
5	6*	84⅞"–120"

*It is recommended to use a second bracket on shades over 40" wide located next to the end bracket at the cord lock.



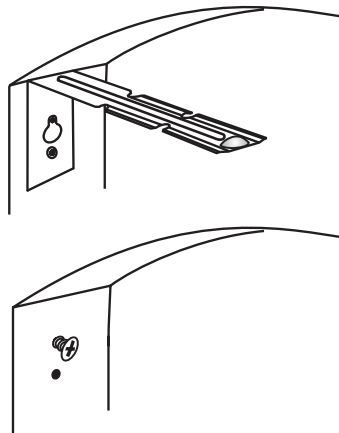
Side Mount (optional)

Line the bracket top with the desired height of the top of the headrail.

Mark holes for screws. Remove brackets and drill holes. Insert screws for keyhole slots only. Approximately ⅛" of the screw should be left protruding.

Pull the cord lock assembly partially out of the headrail and slide the bracket on as shown. Push the cord lock assembly and bracket back all the way into the rail.

Remove the end cap from the opposite end of the headrail. Slide the remaining side mount bracket onto the headrail. Replace the end cap before sliding the bracket all the way into the headrail.

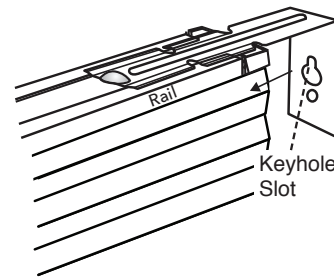


Step 2 – Mounting Brackets

Side Mount (optional) con't

Hook one bracket onto the screw in the window frame, using the keyhole slot. Bring the other end bracket over the screw at the other side of the frame. Slide down, flexing bracket inward until the screw engages in the keyhole slot.

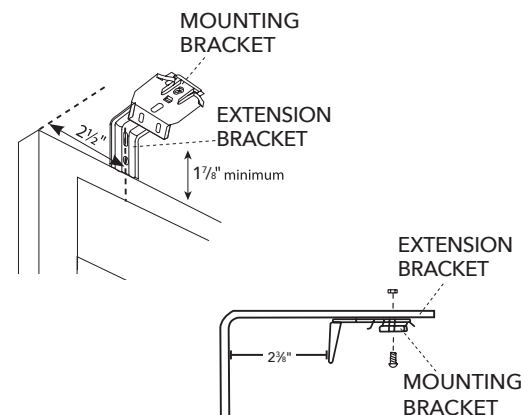
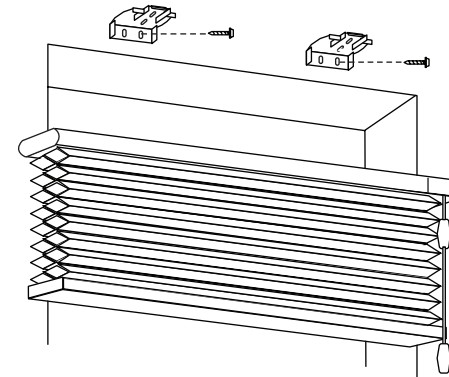
Make sure both brackets are slipped down all the way in the keyhole slot so that the screw is in the top portion of the keyhole slot. Pull fabric forward. Install a screw in the bottom hole of each bracket. Tighten all screws.



Outside Mount

First, hold the shade above the window so that it's perfectly centered. Using a pencil, mark where the ends of the headrail hit the window frame or the wall. Notes on accuracy: brackets should be evenly spaced, level with one another, and not too close to the headrail's edges and operating mechanism.

Next, using the screws provided, mount the brackets to the window frame or wall above the window with the screws provided. Use the rear bracket holes. The bracket requires a minimum surface of ¾" high.



Extension Brackets (optional)

Optional Extension Brackets are used to project the back of the shade up to 2⅞" from the mounting surface. Attach the Mounting Bracket to the Extension Bracket with the nut and bolt provided.

Step 3 – Hanging the Shade

Inserting the Headrail

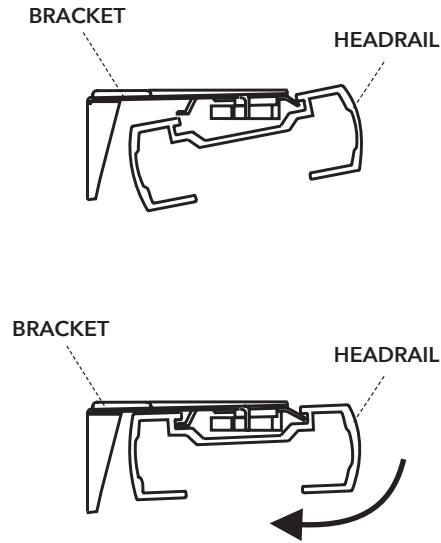
Unwind the cord from the shade.

1. Hold the shade up near the brackets and insert the front clip of the bracket into the front groove of the rail.

2. Make sure the shade is centered in the window opening at the desired height.

3. Push the rail back and up until the back clips of the bracket are inserted into the back groove of the rail.

To remove the shade, reverse the procedure.

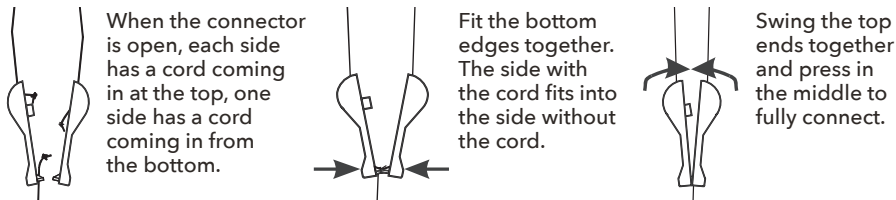
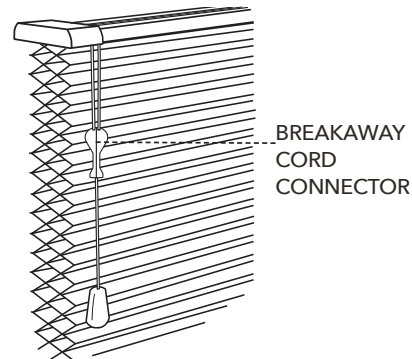


Breakaway Cord Connector

Keep cords out of the reach of young children. Move cribs and furniture away from blind cords.

This shade was built with a cord connector which was designed to break apart when force is applied.

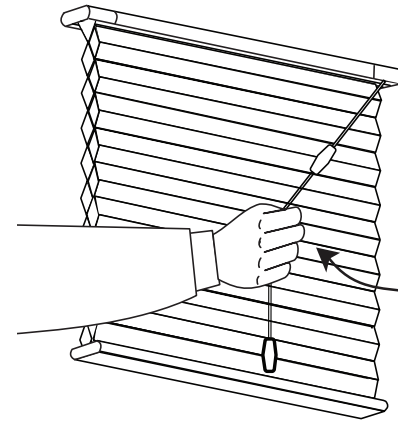
If your cord connector should happen to break apart, follow the instructions below to reassemble.



Step 4 – Operating the Shade

Standard Control

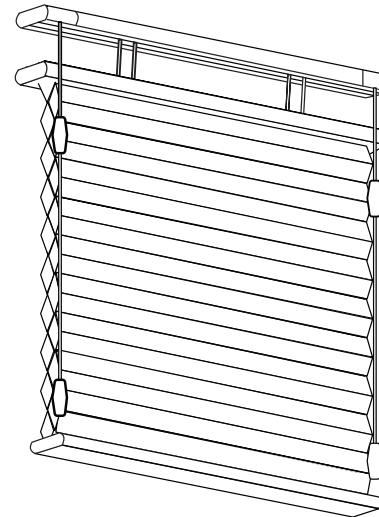
Opening and closing your new Smith & Noble shades is entirely hassle-free. To lower it, pull the cord down and toward the center of the shade. To lock it into position, move the cord past the outside edge and then release. To raise it, pull straight down on the cord until it's at your desired height then move cord past edge to lock. And remember to always keep the draw cord wrapped around the cord cleat when not in use (that's what you attach to the wall next to your shade).



Top Down/Bottom Up Control

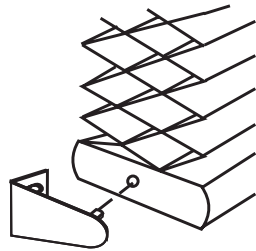
First, lower the bottom rail of the shade to the window sill by releasing the cord on the left side of the shade. Then, using the cord on the right side of the shade, lower the center rail to the desired position.

To raise the shade, pull the right cord down until the center rail of the shade meets the headrail. Pull down on the left cord and lift the bottom rail to the desired position. And remember to always keep the draw cords wrapped around the cord cleat when not in use (that's what you attach to the wall next to your shade).



Hold Down Bracket

Optional Hold Down Brackets are mounted with the supplied screws. With the shade at its proper drop, place the pin of each Hold Down into the hole in each End Cap and make sure the pins are level and aligned. Mark the screw holes with a pencil. Raise the shade, then screw the Hold Down Brackets into the mounting surface.



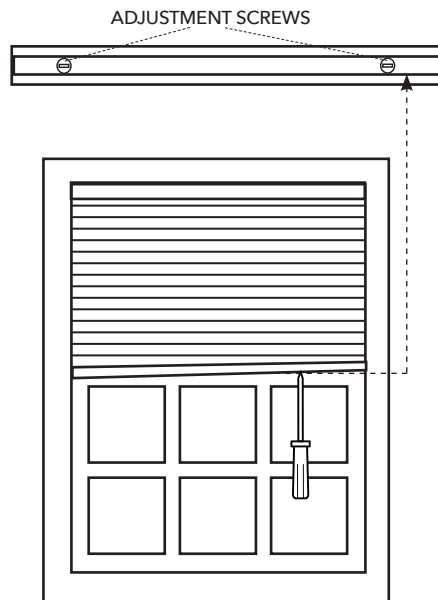
Level the Bottom Rail

Honeycomb Shades use a system that allows easy leveling of the bottom rail. It is designed to make slight adjustments (Less than 1") to level the moving rails of your shade. It is not designed to make length adjustments.

Use a flat head screwdriver or a coin (a quarter works the best) to turn the adjustment screw to raise or lower that side of the bottom rail. The adjustment screw is on the underside of the bottom rail.

One quarter turn of the screw will move the bottom rail up or down approximately $\frac{1}{4}$ ".

Over-turning the adjustment screw (more than 1" of adjustment) can cause the cord to tangle or wedge inside the rail. The screw should turn easily - Do Not Force.



Care & Cleaning

Minimal care and cleaning is needed to maintain the beauty of your shades.

To Vacuum: Use brush or dust head attachment.

To Dust: Use soft, clean cloth.

Safety is Everything

We believe that great style should never come at the cost of safety. We strongly recommend using cord cleats on all standard shades to keep draw cords out of reach. Mount the cord cleat at a safe height, taking into account furniture or other objects upon which a child may climb. Then, after each use of the shade, simply wrap the excess cord around the cleat. It's fast, easy and safe. To obtain a free cord cleat call us at 800.248.8888 or visit smithandnoble.com/childsafety.



Warranty Service

The enjoyment of your window coverings should be everlasting, which is why our products come with a lifetime warranty. The warranty applies to the original owner, requires a proof of purchase and covers defects in material or craftsmanship. Shades or blinds must have been properly installed. We reserve the right to determine if your window covering warrants a repair or a replacement. In need of warranty service? Call us at 800.248.8888 and we'll arrange for a repair or replacement ASAP.
