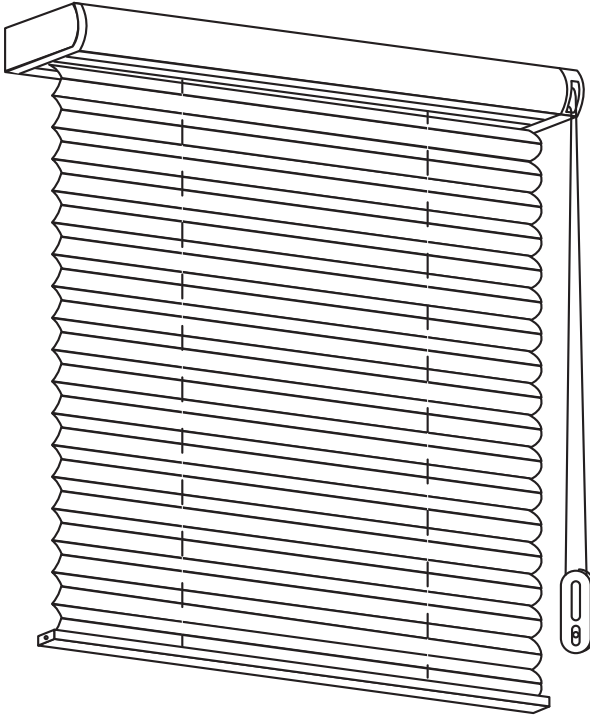


SMITH & NOBLE

STEP BY STEP INSTALLATION INSTRUCTIONS

Pleated Shades



Loop Control

Everything You Need

A Smooth Set-Up

We want you to love your new window coverings and that includes having a smooth installation experience. If you encounter any difficulties or questions, please reach out to us for help. It's why we're here. Call us at 800.248.8888 or visit www.smithandnoble.com/knowhow for more info on installation.

We recommend you hold on to all packaging until your window coverings are fully installed. Should something go wrong (we strongly doubt it), we want any potential returns to be a painless as possible.

Customer Service Hours

Monday – Friday: 6am – 7pm PT

Saturday – Sunday: 7am – 4pm PT

smithandnoble.com



Table of Contents

<i>Step 1</i> -	Getting Started	3
<i>Overview</i> -	Loop Control	4
<i>Step 2</i> -	Mounting the Brackets	5 - 6
<i>Step 3</i> -	Hanging the Shade	7
<i>Step 3</i> -	Removing the Shade	7
<i>Step 4</i> -	Installing Cord Tensioner	8
<i>Step 5</i> -	Hold Down Brackets (optional)	8
<i>Step 6</i> -	Operating the Shade	9
	Care & Cleaning	10
	Safety	10
	Warranty	Back Cover

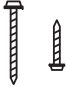
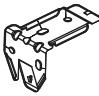

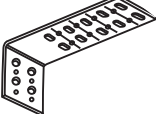
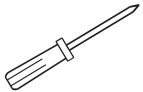

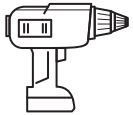

Getting Started

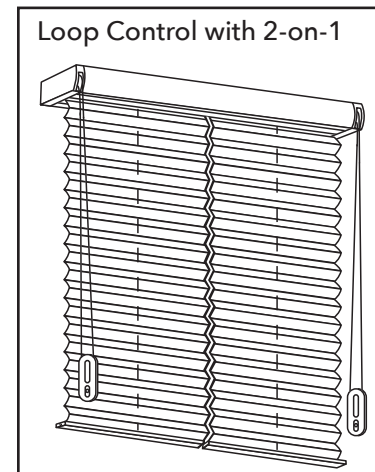
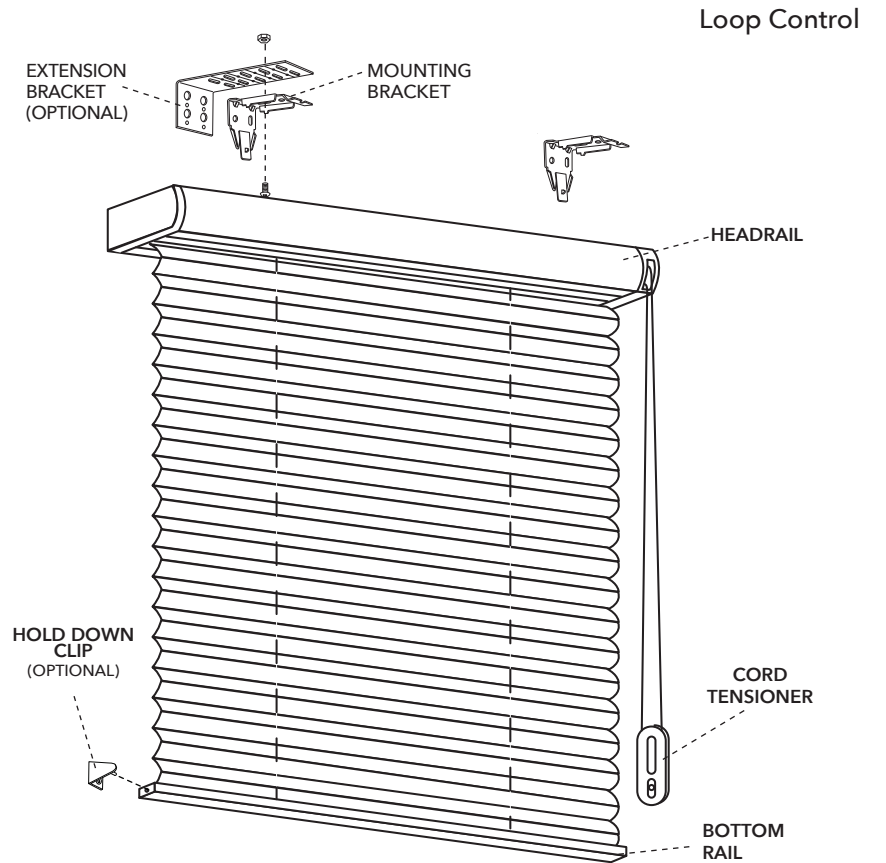
First, make sure you have all the parts and tools required to install your shades.

ALL THE HARDWARE YOU'LL NEED: Pencil, screw-driver, ¼" nut driver, level, and a drill with a ⅜" drill bit.

Locate wooden studs where you'll want to attach the brackets; if you need to mount your shades to wallboard or plaster, use a secure fastener designed for hollow wall applications. For metal surfaces, pre-drill holes and use the included screws. For concrete, stone, brick, or tile surfaces, use a masonry drill and appropriate plugs, anchors, or screws.

It's important when selecting a fastener to make sure it's designed to support the weight of the shade. Follow the fastener manufacturer's instruction from there on out.

 HEX HEAD SCREWS	 MOUNTING BRACKETS
 HOLD DOWN BRACKET (OPTIONAL)	 EXTENSION BRACKET (OPTIONAL)
 SCREW DRIVER (NOT INCLUDED)	 PENCIL (NOT INCLUDED)
 POWER DRILL (NOT INCLUDED)	 LEVEL (NOT INCLUDED)



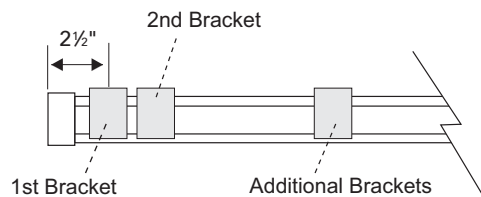
Step 2 – Mounting Brackets

Mounting Brackets

Shades are shipped with the required number of brackets for proper installation. End brackets should be mounted 2"-2½" in from each end. Depending on the width of the shade, additional brackets may be necessary - space them evenly between the two end brackets. When mounting brackets, make sure they are in line and level.

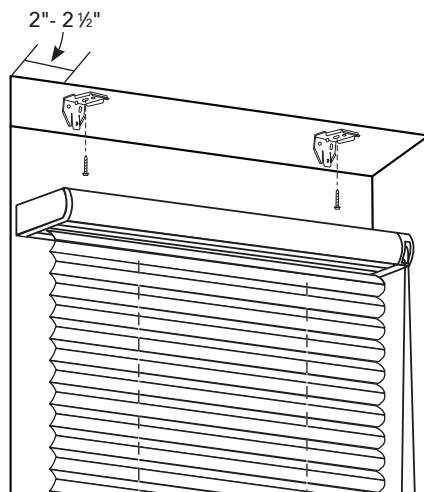
On shades 84" to 96" wide, it is recommended to use a second bracket located next to the end bracket, then any additional brackets after the 2nd.

SHADE WIDTH	BRACKET QTY
up to 40"	2
40⅞"-72"	3
72⅞"-84"	4
84⅞"-120"	5



Inside Mount

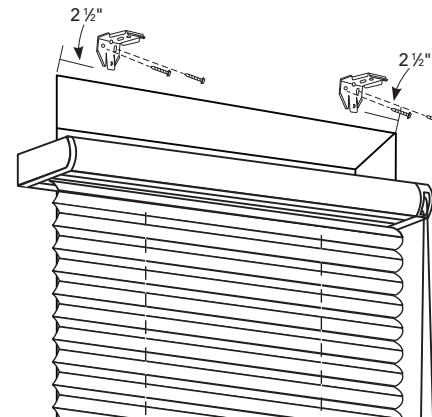
The brackets are mounted flat against the top surface, 2"- 2½" in from edge of frame. Place the screw through the hole closest to the front of the bracket. To fully recess the shade requires a flat surface with a depth of 1". Shallow mounting requires 2" minimum. Make sure brackets are in line with one another and level.



Step 2 – Mounting Brackets

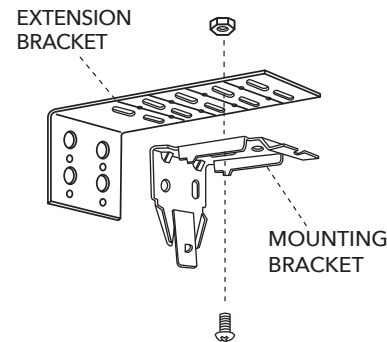
Outside Mount

Center shade over window opening at desired height. Mark the position of the headrail ends on the wall. Attach mounting brackets with two screws flat against the wall, 2"- 2½" in from each side, making sure bracket are aligned with one another. Requires a minimum surface ¾" high.



Extension Brackets (optional)

Optional Extension Brackets are used to project the back of the shade up to 2⅜" from the mounting surface. Attach the Mounting Bracket to the Extension Bracket with the nut and bolt provided.

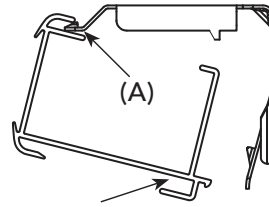


Step 3 – Hanging the Shade

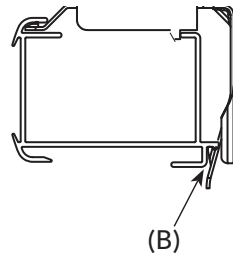
Inserting the Headrail

Position the headrail with the front lip (A) resting on the top hooks of all the brackets. Make sure that no fabric is pinched between the brackets and the headrail.

Push the bottom of the headrail firmly upwards and toward the window until the groove at the bottom of the headrail snaps into place, (B) as shown.



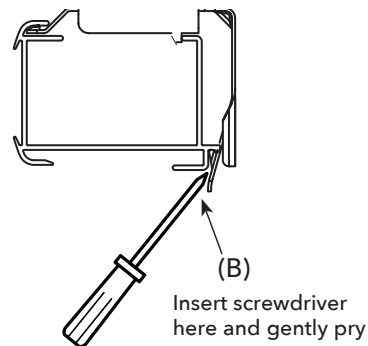
Push up and toward the window



Removing the Shade

Figure (B) - To remove a shade, insert a screwdriver between the headrail and the bottom back of the bracket (tab which extends out slightly from each bracket). Gently pry the screwdriver to release the bracket from the headrail. Take care not to damage the headrail.

As you release the brackets, support the headrail to keep it from falling.



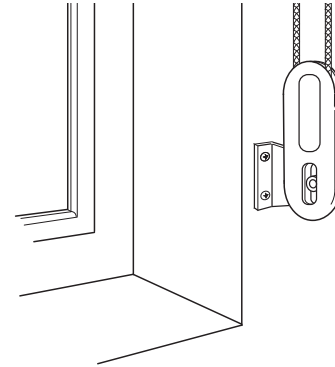
Step 4 – Cord Tension Device

Installing Cord Tensioner

Your window shade has arrived with the cord tensioner positioned near the head rail to comply with current child safety standards. The cord tensioner must be mounted and secured before the window shade will operate correctly.

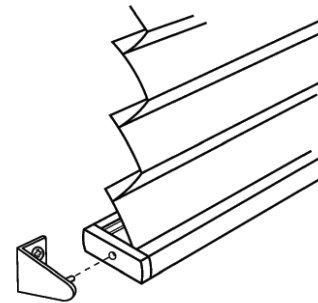
The tension device reduces the hazards of strangulation and entanglement of young children by limiting access to the control cord.

Please read the instructions included in the cord tensioner mounting hardware packet prior to installation.



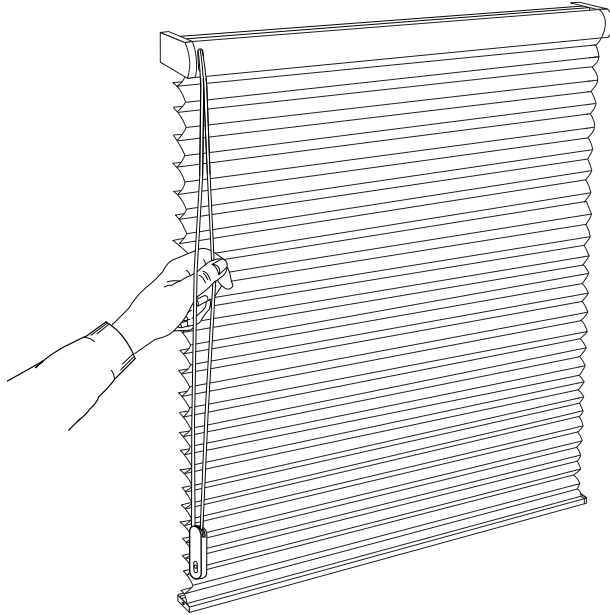
Step 5 – Hold Down Bracket (optional)

Optional Hold Down Brackets are mounted with the supplied screws. With the shade at its proper drop, place the pin of each Hold Down into the hole in each End Cap and mark the screw holes. Make sure the pins are level and aligned. Raise the shade, then screw the Hold Down Bracket into the mounting surface.



Loop Control

Opening and closing your new Smith & Noble shades is entirely hassle-free. To lower shade, pull down on the back of the cord loop. The shade will stop when fully lowered. To raise, pull on the front cord.

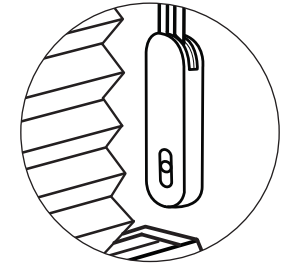


Care & Cleaning

Occasional light vacuuming with a soft bristle attachment or gentle feather dusting is all that is required to keep your shades looking fresh and neat.

Safety is Everything

Great style should never come at the cost of safety. Every Smith & Noble window treatment conforms strictly to today's safety standards, including permanent tie-down devices and built-in cord stops. To protect young children and pets, Loop Control works with a cord tensioner, which must be mounted to your window frame or wall. The shade or blind will not work if the cord tensioner is not mounted.



Warranty Service

The enjoyment of your window coverings should be everlasting, which is why our products come with a limited lifetime warranty. The warranty applies to the original owner, requires a proof of purchase and covers defects in material or craftsmanship. Shades or blinds must have been properly installed. We reserve the right to determine if your window covering warrants a repair or a replacement. In need of warranty service? Call us at 800.248.8888 and we'll arrange for a repair or replacement ASAP.
