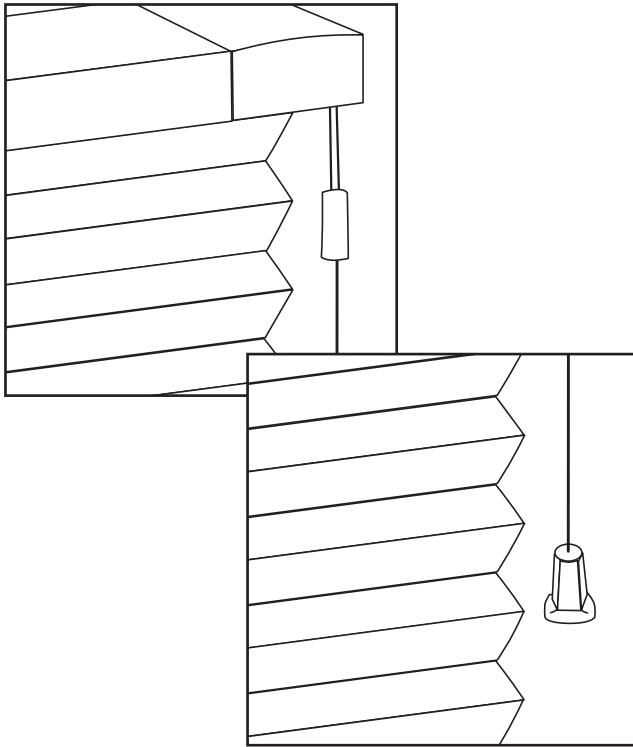


SMITH & NOBLE

STEP BY STEP INSTALLATION INSTRUCTIONS

Pleated Shades



Standard Control,
Top Down/Bottom Up &
Standard 2-on-1

Everything You Need

A Smooth Set-Up

We want you to love your new window coverings and that includes having a smooth installation experience. If you encounter any difficulties or questions, please reach out to us for help. It's why we're here. Call us at 800.248.8888 or visit www.smithandnoble.com/knowhow for more info on installation.

We recommend you hold on to all packaging until your window coverings are fully installed. Should something go wrong (we strongly doubt it), we want any potential returns to be a painless as possible.

Customer Service Hours

Monday – Friday: 6am – 7pm PT

Saturday – Sunday: 7am – 4pm PT

smithandnoble.com



Table of Contents

<i>Step 1</i> -	Getting Started	3
<i>Overview</i> -	Standard Control, Top Down/Bottom Up & 2-on-1	4
<i>Step 2</i> -	Mounting the Brackets	5 - 6
<i>Step 2</i> -	Extension Brackets	7
<i>Step 3</i> -	Hanging the Shade	7
<i>Step 4</i> -	Operating the Shade	8
<i>Step 5</i> -	Removing the Shade	9
<i>Step 6</i> -	Cord Tension Device	9
<i>Optional</i> -	Hold Down Brackets	10
	Care & Cleaning	Back Cover
	Safety	Back Cover
	Warranty	Back Cover

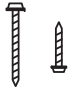
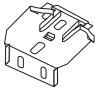

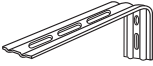


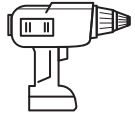

Getting Started

First, make sure you have all the parts and tools required to install your shades.

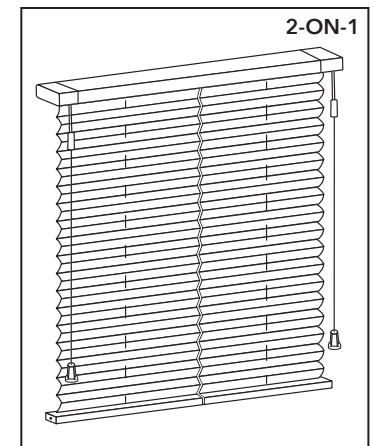
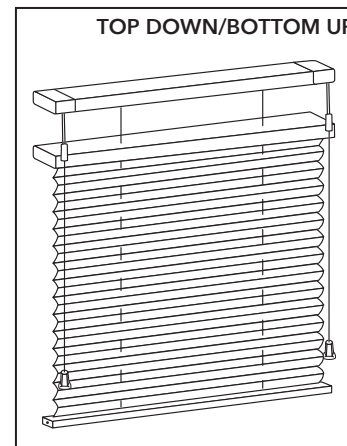
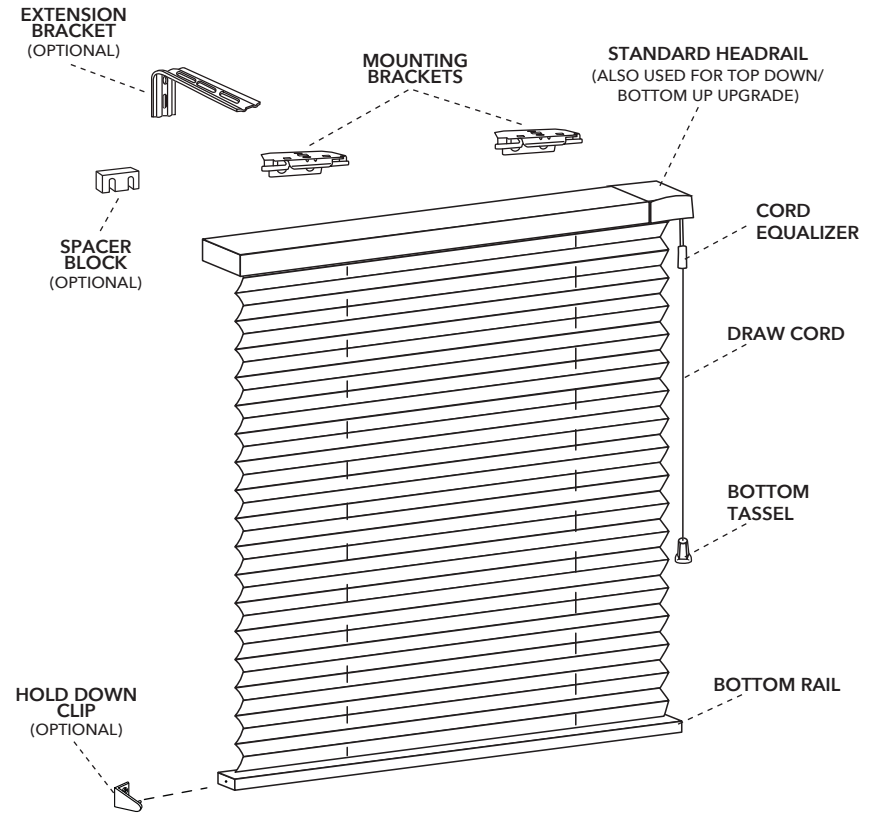
ALL THE HARDWARE YOU'LL NEED: Pencil, screw-driver, ¼" nut driver, level, and a drill with a ⅛" drill bit.

Locate wooden studs where you'll want to attach the brackets; if you need to mount your shades to wallboard or plaster, use a secure fastener designed for hollow wall applications. For metal surfaces, pre-drill holes and use the included screws. For concrete, stone, brick, or tile surfaces, use a masonry drill and appropriate plugs, anchors, or screws.

It's important when selecting a fastener to make sure it's designed to support the weight of the shade. Follow the fastener manufacturer's instruction from there on out.

 <p>HEX HEAD SCREWS</p>	 <p>MOUNTING BRACKETS</p>
 <p>LEVEL (NOT INCLUDED)</p>	 <p>EXTENSION BRACKET (OPTIONAL)</p>
 <p>SCREW DRIVER & PENCIL (NOT INCLUDED)</p>	 <p>SPACER BLOCK (OPTIONAL)</p>
 <p>POWER DRILL (NOT INCLUDED)</p>	 <p>HOLD DOWN CLIP (OPTIONAL)</p>

Standard Control, Top Down/Bottom Up & Standard 2-on-1



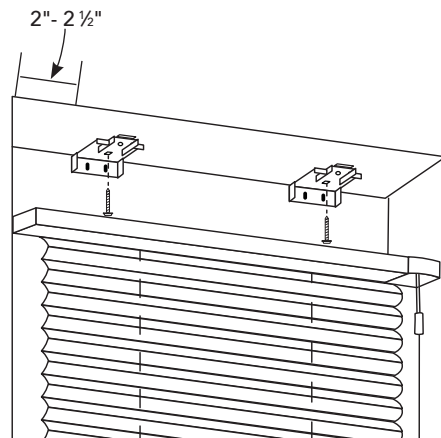
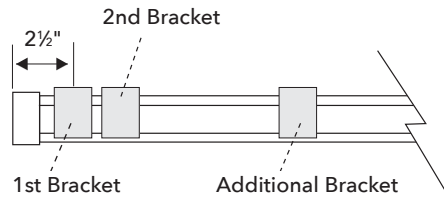
Step 2 – Mounting Brackets

Mounting Brackets

Shades are shipped with the required number of brackets for proper installation. End brackets should be mounted 2"-2½" in from each end. Depending on the width of the shade, additional brackets may be necessary, space them evenly between the two end brackets. When mounting brackets, make sure they are in line and level.

On shades 84" to 96" wide, it is recommended to use a second bracket located next to the end bracket at the cord lock.

SHADE WIDTH	BRACKET QTY
up to 40"	2
40⅞"–72"	3
72⅞"–84"	4
84⅞"–120"	5



Inside Mount

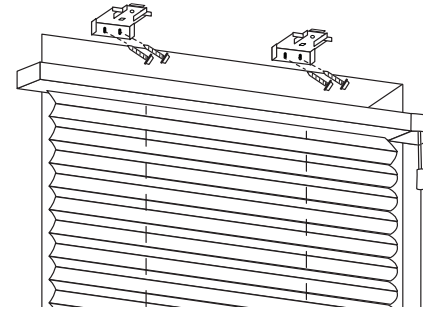
The brackets are mounted flat against the top surface.

Place the screw through the hole closest to the front of the bracket. To fully recess the shade requires a flat surface with a depth of 2"-2½". Shallow mounting requires ½" minimum.

Step 2 – Mounting Brackets

Outside Mount

The brackets are mounted with two screws through the back end of the bracket flat against the window molding or the wall above the window. The bracket requires a minimum surface ¾" high.



Side Mount (optional)

Line the bracket top with the desired height of the top of the headrail.

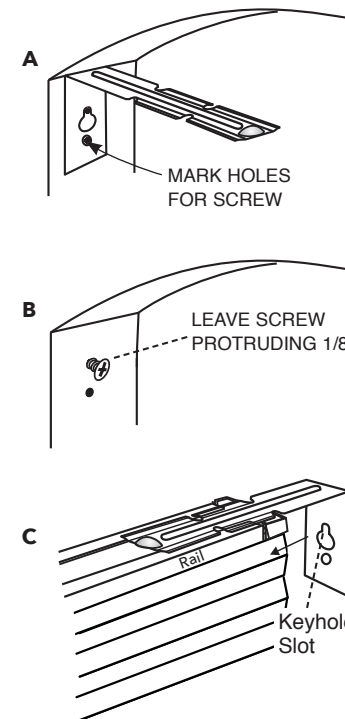
Mark holes for screws A. Remove brackets and drill holes. Insert screws for key-hole slots only. Approximately ⅛" of the screw should be left protruding B.

Pull the cord lock assembly partially out of the headrail and slide the bracket on as shown C. Push the cord lock assembly and bracket back all the way into the rail.

Remove the end cap from the opposite end of the headrail. Slide the remaining side mount bracket onto the headrail. Replace the end cap before sliding the bracket all the way into the headrail.

Hook one bracket onto the screw in the window frame, using the keyhole slot. Bring the other end bracket over the screw at the other side of the frame. Slide down, flexing bracket inward until the screw engages in the keyhole slot.

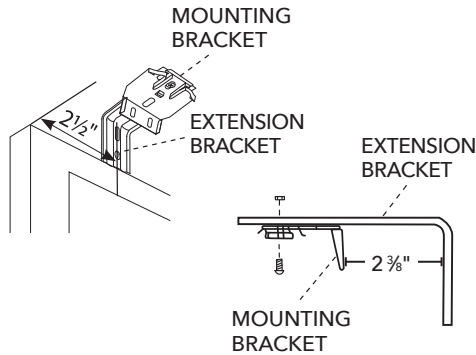
Make sure both brackets are slipped down all the way in the keyhole slots so that the screw is in the top portion of the slot. Install a screw in the bottom hole of each bracket. Tighten all screws.



Step 2 – Extension Brackets (Optional)

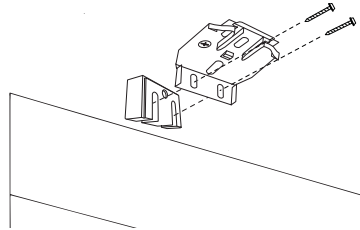
Extension Brackets (optional)

Optional Extension Brackets are used to project the back of the shade up to 2½" from the mounting surface. Attach the Mounting Bracket to the Extension Bracket with the nut and bolt provided.



Spacer Blocks (optional)

Optional Spacer Blocks will project the bracket from the mounting surface.



Step 3 – Hanging the Shade

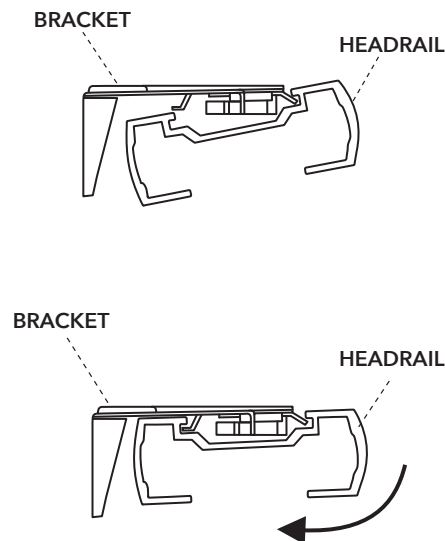
Inserting the Headrail

Unwind the cord from the shade. Hold the shade up near the brackets and insert the front clip of the bracket into the front groove of the rail.

Make sure the shade is centered in the window opening.

Push the rail back and up until the back clips of the bracket are inserted into the back groove of the rail.

To remove the shade, reverse the procedure.

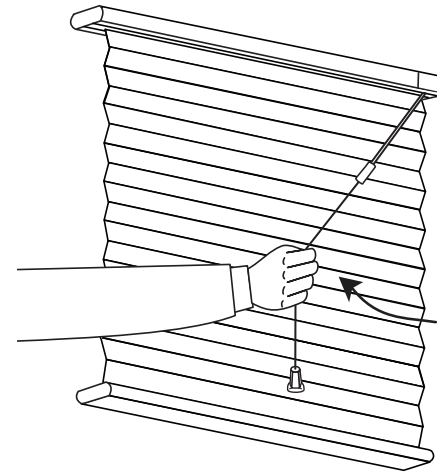


Step 4 – Operating the Shade

Standard Control

To lower or release shade, pull the cord inward toward the center of the shade.

To raise or lock shade, pull the cord straight down and outward toward the edge of the shade.



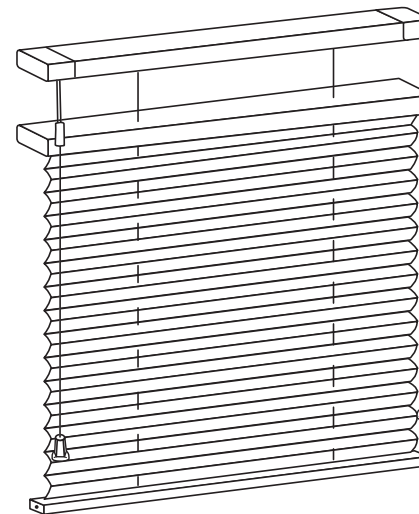
Top Down/Bottom Up Control

The right cord operates the middle rail and the left cord operates the bottom rail.

TO RAISE or lock either the middle rail or bottom rail of the shade, pull the cord down and inward to the center of the shade.

NOTE: When raising the middle rail all of the way to the headrail, you should raise the bottom rail a couple of inches. This will prevent pinching the equalizer between the rails.

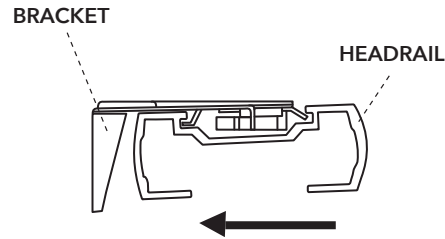
TO LOWER or release either the middle rail or bottom rail of the shade, pull the cord directly downward in the vertical position to release the lock.



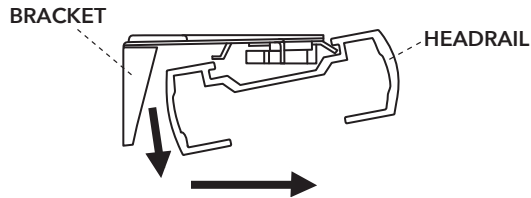
Step 5 – Removing the Shade

Removing the Shade

With the shade raised, push the headrail back towards the back of the bracket.



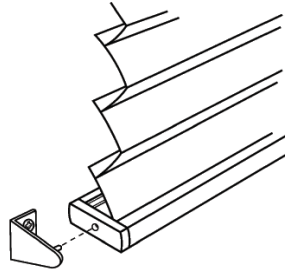
Rotate the back of the headrail down and pull it forward.



Optional

Hold Down Bracket (optional)

Optional Hold Down Brackets are mounted with the supplied screws. With the shade at its proper drop, place the pin of each Hold Down into the hole in each End Cap and make sure the pins are level and aligned. Mark the screw holes with a pencil. Raise the shade, then screw the Hold Down Brackets into the mounting surface.



Care & Cleaning and Safety

Care & Cleaning

Occasional light vacuuming with a soft bristle attachment or gentle feather dusting is all that is required to keep your shades looking fresh and neat.

Safety is Everything

Great style should never come at the cost of safety. Every Smith & Noble window treatment conforms strictly to today's safety standards, including permanent tie-down devices and built-in cord stops. To protect young children and pets, excess cords should be wrapped securely around a cord cleat, as shown at right, to prevent possible injury. To obtain an additional cord cleat, call Smith & Noble Customer Service at 800.780.8889.



Warranty Service

The enjoyment of your window coverings should be everlasting, which is why our products come with a limited lifetime warranty. The warranty applies to the original owner, requires a proof of purchase and covers defects in material or craftsmanship. Shades or blinds must have been properly installed. We reserve the right to determine if your window covering warrants a repair or a replacement. In need of warranty service? Call us at 800.248.8888 and we'll arrange for a repair or replacement ASAP.