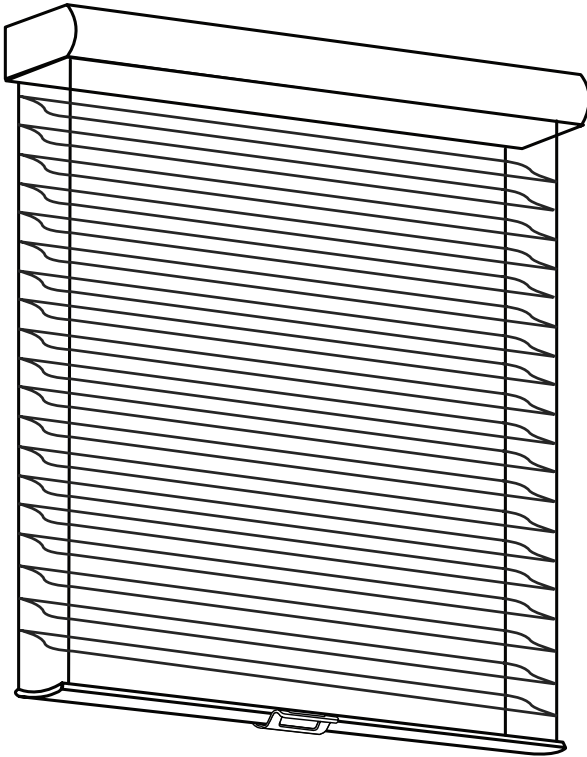


SMITH & NOBLE

STEP BY STEP INSTALLATION INSTRUCTIONS

Sheer Shadings



Cordless Control

Everything You Need

A Smooth Set-Up

We want you to love your new window coverings and that includes having a smooth installation experience. If you encounter any difficulties or questions, please reach out to us for help. It's why we're here. Call us at 800.248.8888 or visit www.smithandnoble.com/knowhow for more info on installation.

We recommend you hold on to all packaging until your window coverings are fully installed. Should something go wrong (we strongly doubt it), we want any potential returns to be a painless as possible.

Customer Service Hours

Monday – Friday: 6am – 7pm PT

Saturday – Sunday: 7am – 4pm PT

smithandnoble.com



Table of Contents

| | | |
|-------------------|---|------------|
| <i>Step 1 -</i> | Getting Started | 3 |
| <i>Overview -</i> | Cordless Control | 4 |
| <i>Step 2 -</i> | Mounting the Brackets | 5 - 6 |
| <i>Step 3 -</i> | Hanging & Operating the Shade | 7 |
| | Removing Headrail | 7 |
| <i>Optional -</i> | Attaching Hold Down Brackets | 8 |
| | Skew Adjustment | 9 |
| | Tension Adjustment | 9 |
| | Apply End Cap Label | 10 |
| | Expandable Pole | 10 |
| | Care & Cleaning Instructions | 10 |
| | Safety | 10 |
| | Troubleshooting | Back Cover |
| | Warranty | Back Cover |

Getting Started

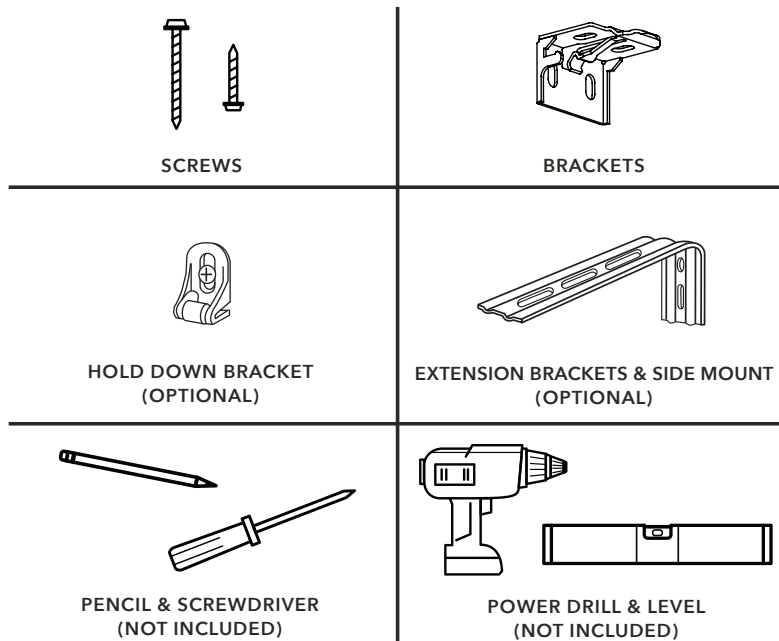
First, make sure you have all the parts and tools required to install your shades.

ALL THE HARDWARE YOU'LL NEED:

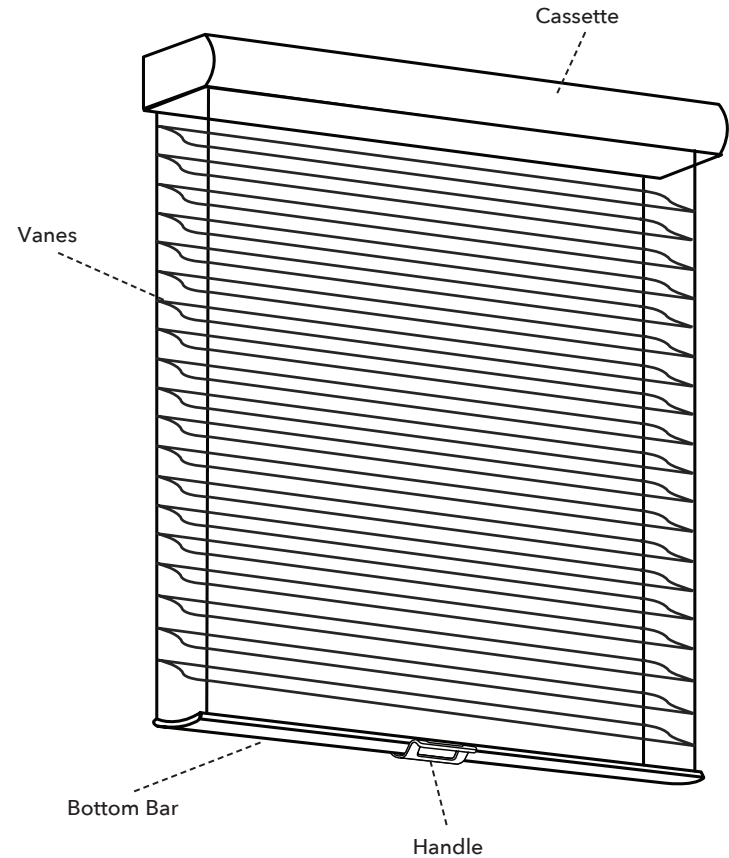
Pencil, screw-driver, ¼" nut driver, level, and a drill with a ⅛" drill bit.

Then find wooden studs where you'll want to attach the brackets; if you need to mount your shades to wallboard or plaster, use a secure fastener designed for hollow wall applications. For metal surfaces, pre-drill holes and use the included screws. For concrete, stone, brick, or tile surfaces, use a masonry drill and appropriate plugs, anchors, or screws.

It's important when selecting a fastener to make sure it's designed to support the weight of the shade. Follow the fastener manufacturer's instruction from there on out.



Cordless Control



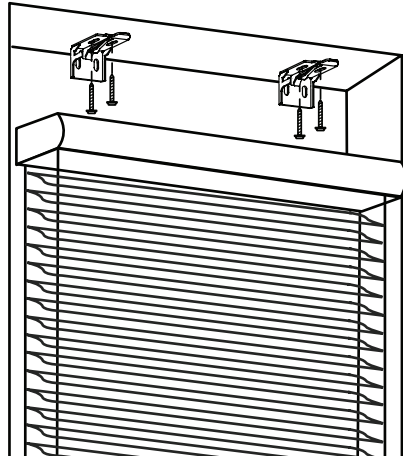
| BRACKET QTY | SHADE WIDTH |
|-------------|---------------|
| 2 | up to 40" |
| 3 | 40 1/8" – 72" |
| 4 | 72 1/8" – 84" |

Step 2 – Mounting Brackets

Inside Mount

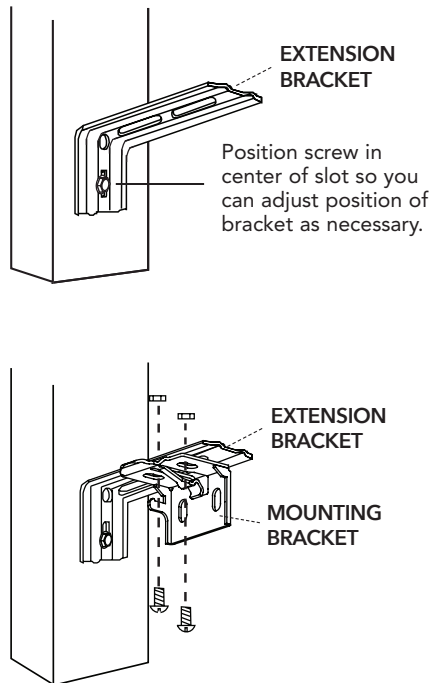
Mount the brackets to the top of the window frame and 2" in from the edge of the window frame. Make sure the brackets are aligned with one another. For a flush mount, the front edge of the bracket should be positioned 2 1/8" in from the front edge of the window frame.

If more brackets are required space them equally between the two existing brackets, making sure they are all level with one another.



Side Mount with Extension Brackets (optional)

Measure from window sill up to desired mounting position on each side of the window frame. Mark position. Mount Extension Brackets on each side of window frame as shown. Make sure to confirm that headrail will sit perfectly level. Once Extension Brackets are installed and properly positioned, attach the Mounting Brackets using the nuts and bolts provided.

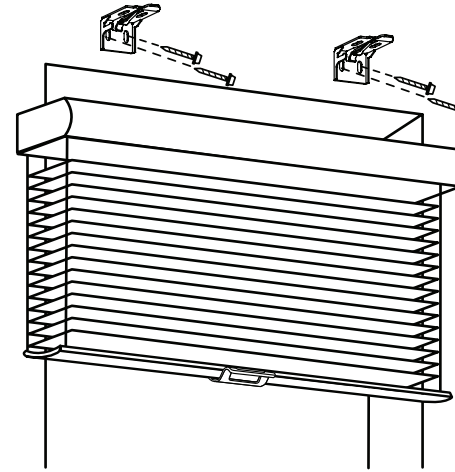


Step 2 – Mounting Brackets

Outside Mount

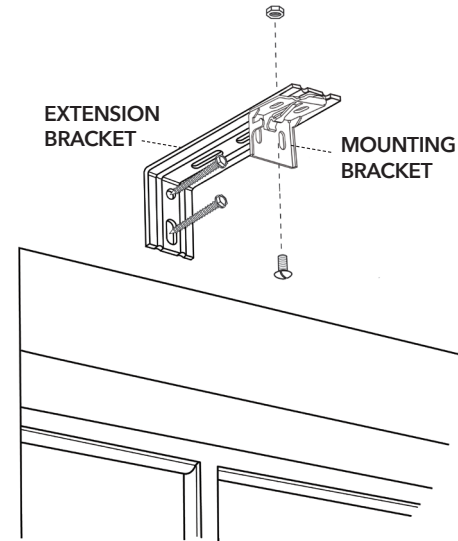
Center the shading over the window opening at the desired height. Mark the position of the ends of the headrail on the wall. Attach the mounting brackets to the wall, 2" in from the end, where your marks are on the wall. Make sure the mounting brackets are level with one another.

If more brackets are required space them equally between the two existing brackets, making sure they are all level with one another.



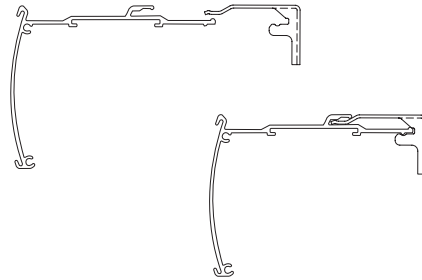
Extension Bracket (optional)

Optional Extension Brackets are used to project the back of the shade up to 2 1/2" from the mounting surface. Attach the mounting bracket to the extension bracket with the nut and bolt provided.



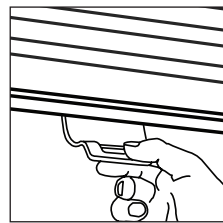
Hang the Headrail

With brackets installed, place the top of the headrail flat against the base of the mounting brackets. Push the headrail straight back into the brackets until it's fully engaged. The headrail will snap into place.

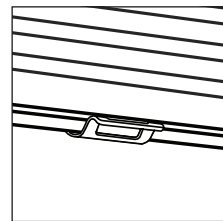


Operating Your Shade

To Lower Shading: Pull down on the bottom rail handle until the shading reaches the desired length. The handle will retract when released.



To Open Vanes: Lower the shading all the way down and continue pulling down on the handle until the vanes open.

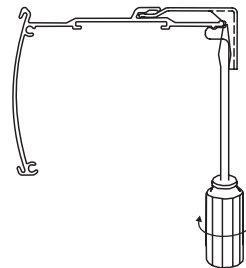


To Raise Shading: Pull down on the handle slightly (about 1/4") and then release. Note: on inside mounted shades you may need to pull the bottom rail away from the sill to pull down enough to release the lock.

Note: To reposition the shade, it must be raised several inches first and then pulled down to the new position.

Removing Headrail

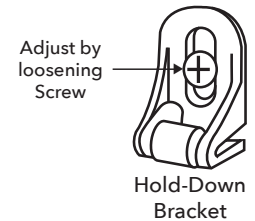
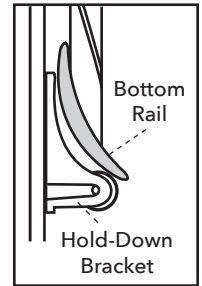
To remove the shading, partially lower the shading and insert a flat head screwdriver as shown. Twist the screwdriver until the headrail disengages from the bracket.



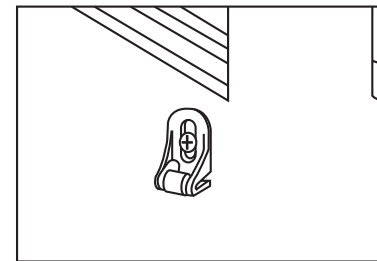
Attaching Hold Down Brackets

Lower the shading, keeping the vanes closed.

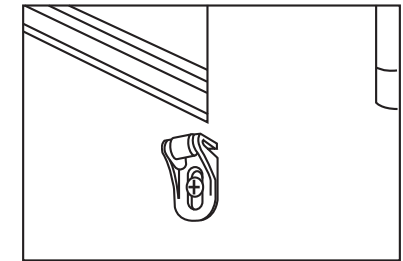
- Place the magnetic hold-down bracket onto the bottom rail just inside the end cap, oriented as shown.
- Hold the bracket while opening and closing the vanes (it may be necessary to have someone assist you). Adjust the bracket to the best overall position.
- Mark the screw location using the mounting options. The screw should be placed in the middle of the slot. This will allow for adjustment.
- Drill the screw holes using a 3/32" drill bit.
IMPORTANT: Use drywall anchors when mounting into drywall.
- Attach the hold-down brackets to the mounting surface using the screws provided.
- If necessary, adjust bracket height by loosening the screw and sliding the bracket up or down.



Outside Mount

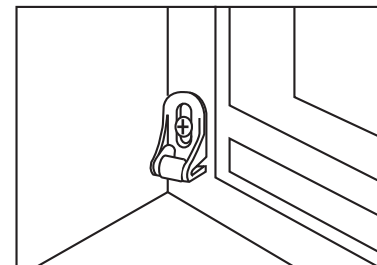


Preferred

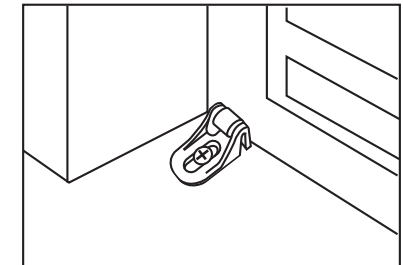


Alternate

Inside Mount



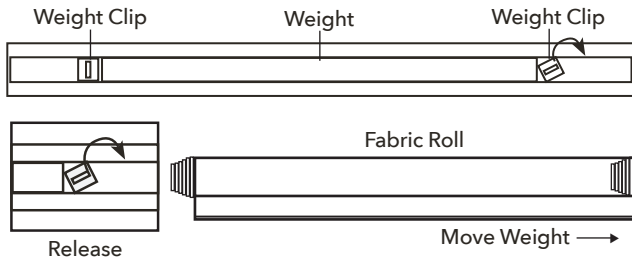
Preferred



Alternate

Skew Adjustment (If Necessary)

If the fabric is moving to one side as the shading is raised (skewing), first check that the installation brackets are level. Shim to level, if necessary. If the brackets are level it may be necessary to adjust the bottom rail weight.



There is a weight on either side of the handle. Release the weight clip on the side of the shade where the fabric is gathering. To release the weight clip, insert a flat blade screwdriver into the weight clip and turn clockwise.

Move the weight in 1" increments toward the side where the fabric is gathering.

Secure the weight clips in position by turning them counterclockwise after making the adjustment.

Test and, if necessary, adjust again.

If these suggestions don't work, then please give us a call or visit our website.

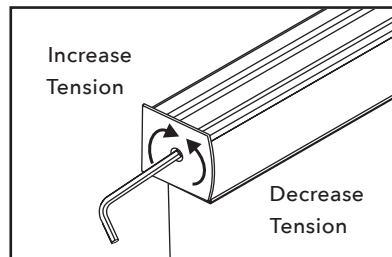
Tension Adjustment (If Necessary)

If the shading does not go all the way up increase the spring tension.

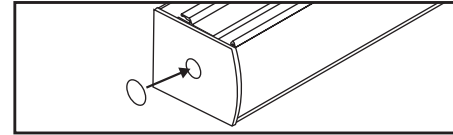
If the shading goes up too quickly, decrease the tension.

Insert a 3/16" hex key through the hole in the left end cap and into the lifting spring.

Turning the hex key clockwise will increase the tension. Turning the hex key counter clockwise will decrease the tension.

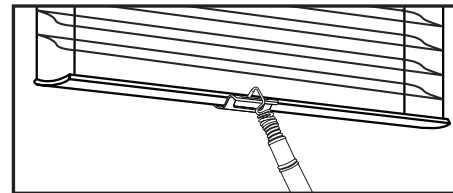


Apply End Cap Label



When any necessary tension adjustments are complete, apply the included headrail label over the hole in the end cap.

Expandable Pole



TO LOWER & RAISE
Insert pole hook into slot on handle and pull gently.

For hard to reach Cordless shades use expandable pole to raise and lower shades.

Care & Cleaning

Care & Cleaning

Use brush or dust head attachment. Occasional light vacuuming with a soft bristle attachment or gentle feather dusting is all that is required to keep your shades looking fresh and neat.

Safety

Safety is Everything

We believe that great style should never come at the cost of safety. To protect young children and pets in your home, choose a cordless product because it eliminates the dangers posed by cords. We strongly recommend using cord cleats on all standard shades to keep draw cords out of reach. **To obtain a free cord cleat** call us at 800.248.8888 or visit smithandnoble.com/childsafety.

Troubleshooting

| PROBLEM | SOLUTION |
|--|---|
| The shading fabric does not roll up evenly | Make sure the mounting brackets are aligned and level with one another. |
| The shading will not raise | If hold down clips were used, make sure they have been released. |

if these suggestions don't work, then please give us a call or visit our website.

Warranty Service

The enjoyment of your window coverings should be everlasting, which is why our products come with a limited lifetime warranty. The warranty applies to the original owner, requires a proof of purchase and covers defects in material or craftsmanship. Shades or blinds must have been properly installed. We reserve the right to determine if your window covering warrants a repair or a replacement. In need of warranty service? Call us at 800.248.8888 and we'll arrange for a repair or replacement ASAP.