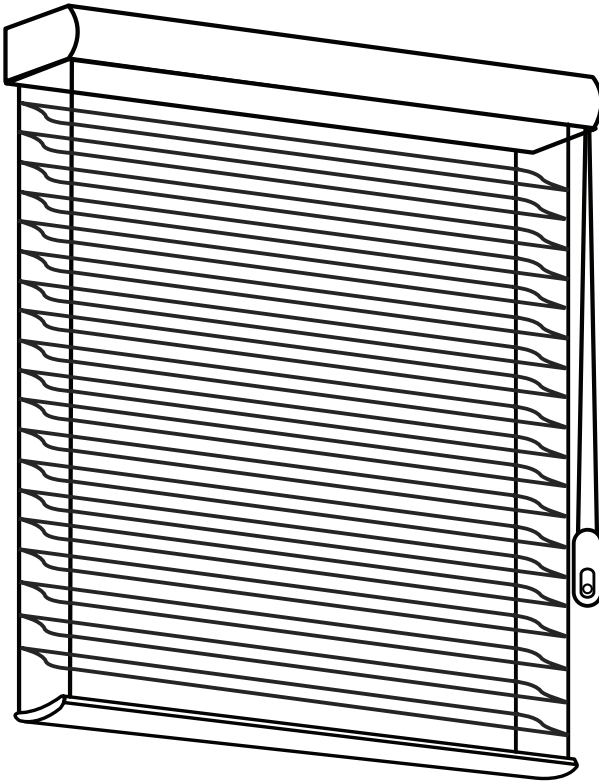


SMITH & NOBLE

STEP BY STEP INSTALLATION INSTRUCTIONS

Sheer Shadings



Loop Control

Everything You Need

A Smooth Set-Up

We want you to love your new window coverings and that includes having a smooth installation experience. If you encounter any difficulties or questions, please reach out to us for help. It's why we're here. Call us at 800.248.8888 or visit www.smithandnoble.com/knowhow for more info on installation.

We recommend you hold on to all packaging until your window coverings are fully installed. Should something go wrong (we strongly doubt it), we want any potential returns to be a painless as possible.

Customer Service Hours

Monday – Friday: 6am – 6pm PT

Saturday – Sunday: 7am – 4pm PT

smithandnoble.com



Table of Contents

<i>Step 1 -</i>	Getting Started	3
<i>Overview -</i>	Loop Control	4
<i>Step 2 -</i>	Mounting the Brackets	5 - 6
<i>Step 3 -</i>	Hanging & Operating the Shade	7
	Removing Headrail	7
<i>Optional -</i>	Hold down brackets	8
	Cord Tensioner Installation	9
	Skew Adjustment	9
	Troubleshooting	10
	Care & Cleaning Instructions	10
	Safety	10
	Warranty	Back Cover

Getting Started

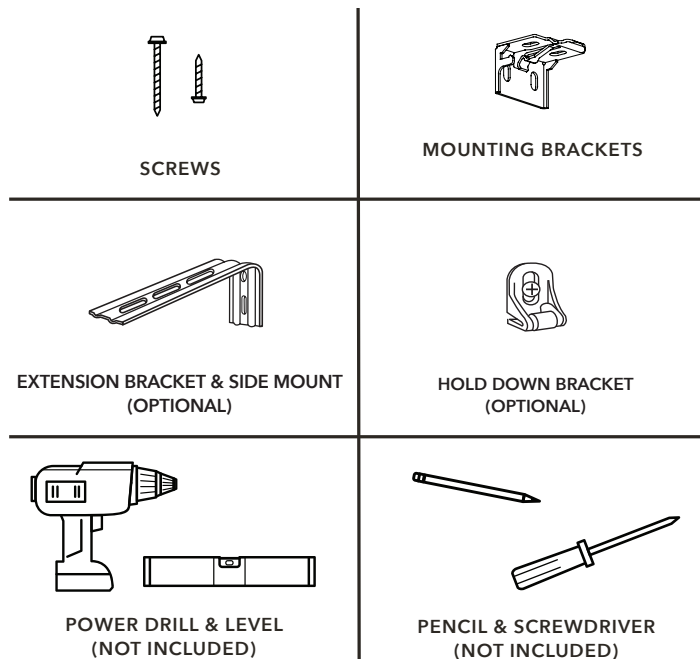
First, make sure you have all the parts and tools required to install your shades.

ALL THE HARDWARE YOU'LL NEED:

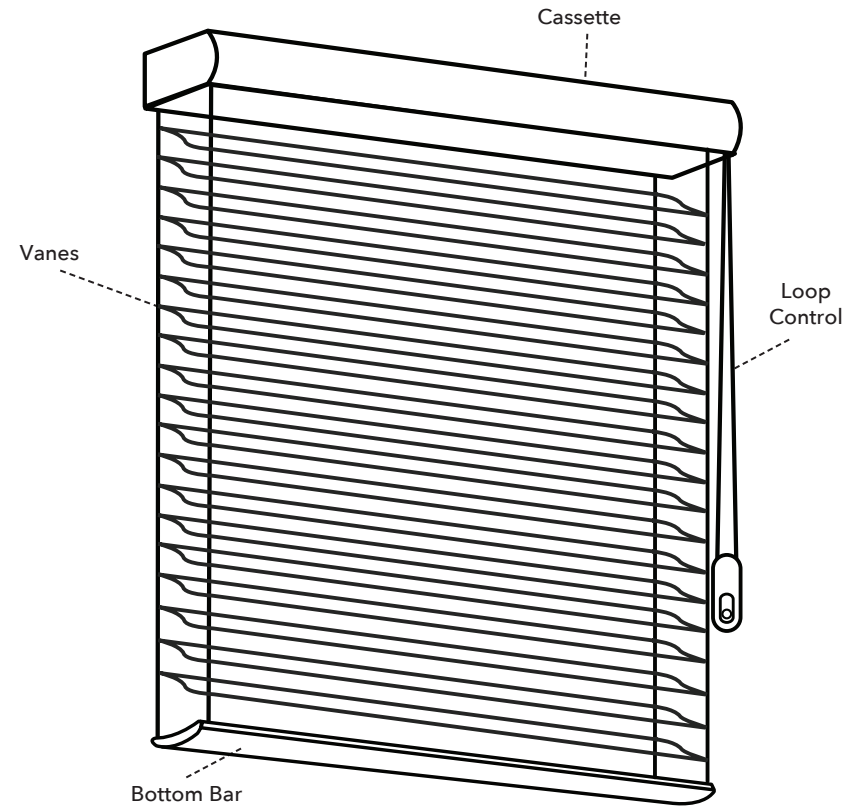
Pencil, screw-driver, ¼" nut driver, level, and a drill with a ⅛" drill bit.

Then find wooden studs where you'll want to attach the brackets; if you need to mount your shades to wallboard or plaster, use a secure fastener designed for hollow wall applications. For metal surfaces, pre-drill holes and use the included screws. For concrete, stone, brick, or tile surfaces, use a masonry drill and appropriate plugs, anchors, or screws.

It's important when selecting a fastener to make sure it's designed to support the weight of the shade. Follow the fastener manufacturer's instruction from there on out.



Loop Control



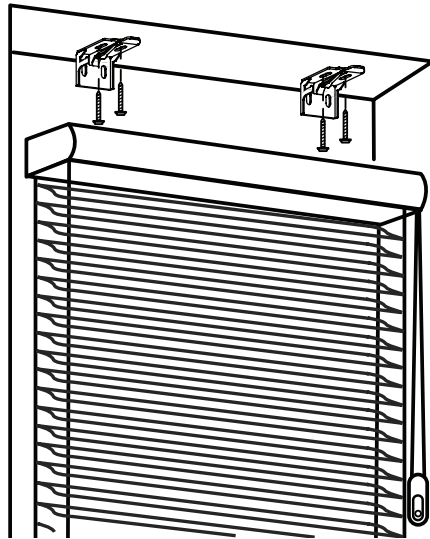
BRACKET QTY	SHADE WIDTH
2	up to 40"
3	40⅛"–72"
4	72⅛"–84"
5	84⅛"–114"

Step 2 – Mounting Brackets

Inside Mount

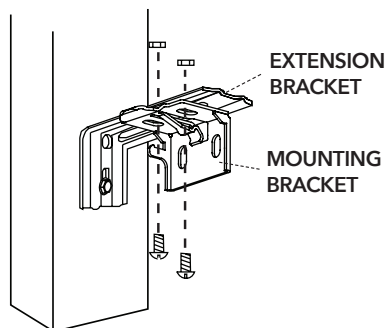
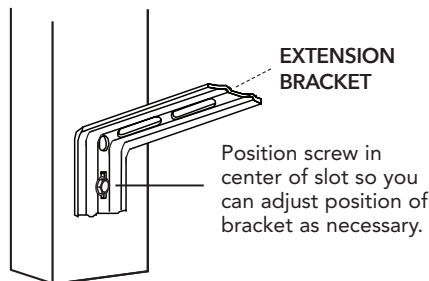
Mount the brackets to the top of the window frame and 2" in from the edge of the window frame. Make sure the brackets are aligned with one another. For a flush mount, the front edge of the bracket should be positioned 2 1/8" in from the front edge of the window frame.

If more brackets are required space them equally between the two existing brackets, making sure they are all level with one another.



Side Mount with Extension Brackets (optional)

Measure from window sill up to desired mounting position on each side of the window frame. Mark position. Mount Extension Brackets on each side of window frame as shown. Make sure to confirm that headrail will sit perfectly level. Once extension brackets are installed and properly positioned, attach the mounting brackets using the nuts and bolts provided.

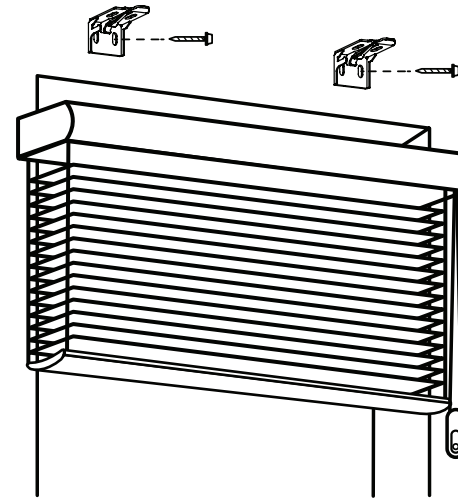


Step 2 – Mounting Brackets

Outside Mount

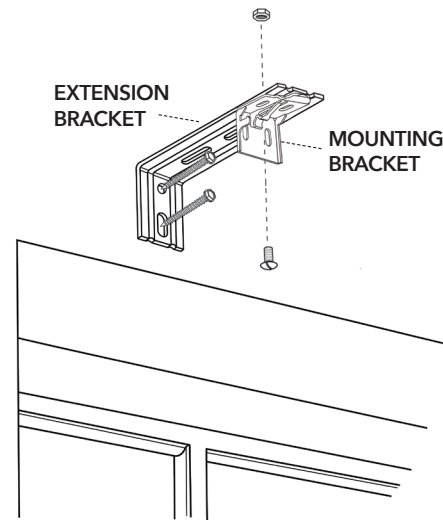
Center the shading over the window opening at the desired height. Mark the position of the ends of the headrail on the wall. Attach the mounting brackets to the wall, 2" in from the end, where your marks are on the wall. Make sure the mounting brackets are level with one another.

If more brackets are required space them equally between the two existing brackets, making sure they are all level with one another.



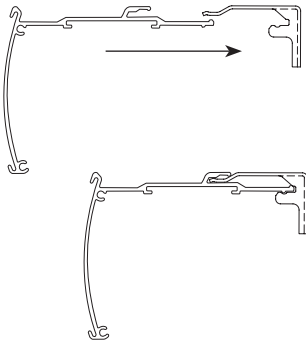
Extension Bracket (optional)

Optional Extension Brackets are used to project the back of the shading up to 2 1/2" from the mounting surface. Attach the mounting bracket to the extension bracket with the nut and bolt provided.



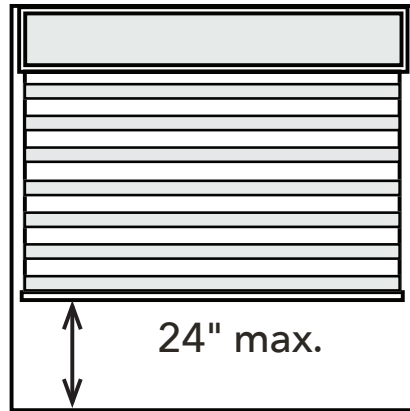
Hanging the Shade

With brackets installed, place the top of the headrail flat against the base of the mounting brackets. Push the headrail straight back into the brackets until it's fully engaged. The headrail will snap into place.



Operating Your Shade

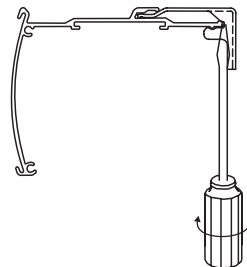
Opening and closing your new Smith & Noble shades is entirely hassle-free. Pulling down on the back cord will lower the shading. When the window shading is completely lowered, pulling down on the back cord will open the vanes. Continued pulling in this direction will raise the fabric with the vanes in the open position. The window shading must only be raised a maximum of 24" in this manner to avoid damaging the fabric.



Pulling down on the front cord will close the vanes and then raise the shading.

Removing Headrail

To remove the shading, partially lower the shading and insert a flat head screwdriver as shown. Twist the screwdriver until the headrail disengages from the bracket.



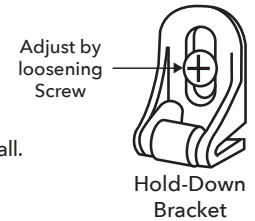
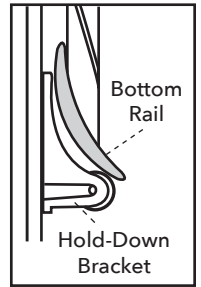
Attaching Hold Down Bracket

Lower the shading, keeping the vanes closed.

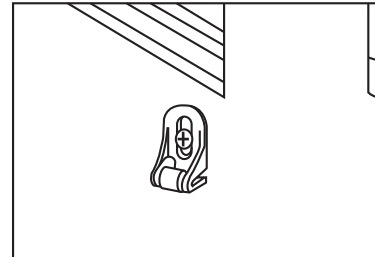
- Place the magnetic hold-down bracket onto the bottom rail just inside the end cap.
- Hold the bracket while opening and closing the vanes (it may be necessary to have someone assist you). Adjust the bracket to the best overall position.
- Mark the screw location using the mounting options. The screw should be placed in the middle of the slot. This will allow for adjustment.
- Drill the screw holes using a 3/32" drill bit.

IMPORTANT: Use drywall anchors when mounting into drywall.

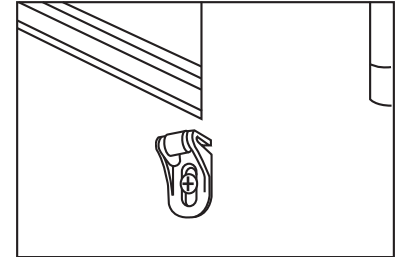
- Attach the hold-down brackets to the mounting surface using the screws provided.
- If necessary, adjust bracket height by loosening the screw and sliding the bracket up or down.



Outside Mount

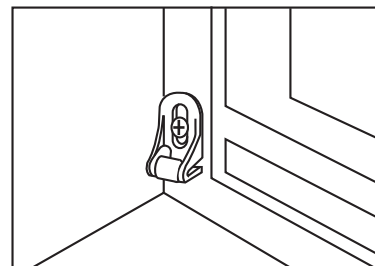


Preferred

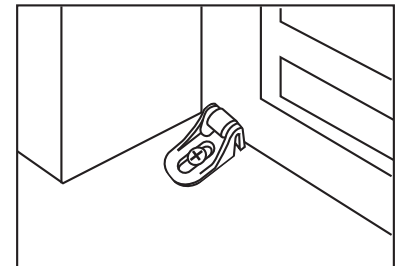


Alternate

Inside Mount



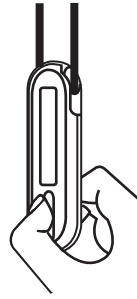
Preferred



Alternate

Cord Tensioner Installation

Your window shade has arrived with the cord tensioner to comply with current child safety standards. The cord tensioner must be mounted and secured before the window shade will operate correctly. To position the tensioner, grasp the screw hole and pull down to release the lock. Pull the cord through the tensioner until the tensioner is at the bottom of the cord loop.

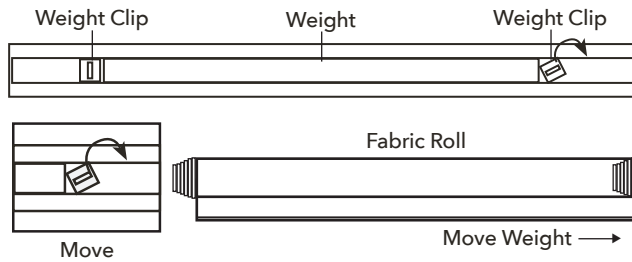


Please see cord tensioner guide on how to install (included separately).

Skew Adjustment

Skew Adjustment

If the fabric is moving to one side as the shade is raised up (skewing), first check that the installation brackets are level. Shim to level, if necessary. If the brackets are level it may be necessary to adjust the bottom rail weight.



- To move the weight clip, insert a flat blade screwdriver into the weight clip and turn clockwise.
- Move the weight in 1" increments toward the side where the fabric is gathering.
- Secure the weight clips in position by turning them counter clockwise after making the adjustment.
- Test and, if necessary, adjust again.

If these suggestions don't work, then please give us a call or visit our website.

PROBLEM	SOLUTION
The shading fabric does not roll up evenly	Make sure the mounting brackets are aligned and level with one another.
The shading will not raise	The shade may be caught on an obstruction such as a window crank or latch; if this is the case feel free to untangle.

If these suggestions don't work, then please give us a call or visit our website.

Care & Cleaning

Care & Cleaning

Use brush or dust head attachment. Occasional light vacuuming with a soft bristle attachment or gentle feather dusting is all that is required to keep your shades looking fresh and neat.

Safety

Safety is Everything

We believe that great style should never come at the cost of safety. To protect young children and pets in your home, choose a cordless product because it eliminates the dangers posed by cords. We strongly recommend using cord cleats on all standard shades to keep draw cords out of reach. To obtain a free cord cleat call us at 800.248.8888 or visit smithandnoble.com/childsafety.



Warranty Service

The enjoyment of your window coverings should be everlasting, which is why our products come with a lifetime warranty. The warranty applies to the original owner, requires a proof of purchase and covers defects in material or craftsmanship. Shades or blinds must have been properly installed. We reserve the right to determine if your window covering warrants a repair or a replacement. In need of warranty service? Call us at 800.248.8888 and we'll arrange for a repair or replacement ASAP.