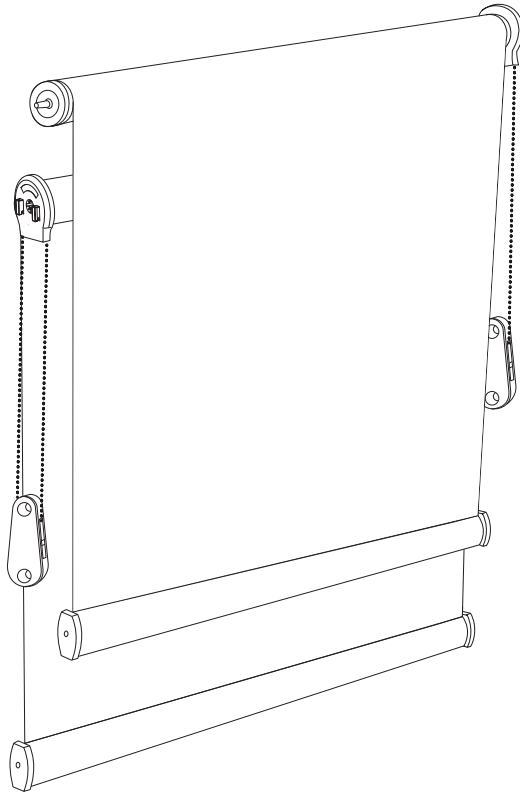


SMITH & NOBLE

STEP BY STEP INSTALLATION INSTRUCTIONS

Solar & Roller Shades



Dual Shade with Loop Control

Everything You Need

A Smooth Set-Up

We want you to love your new window coverings and that includes having a smooth installation experience. If you encounter any difficulties or questions, please reach out to us for help. It's why we're here. Call us at **800.248.8888** or visit www.smithandnoble.com/knowhow for more info on installation.

We recommend you hold on to all packaging until your window coverings are fully installed. Should something go wrong (we strongly doubt it), we want any potential returns to be as painless as possible.

Customer Service Hours

Monday – Friday: 6am – 7pm PT

Saturday – Sunday: 7am – 4pm PT

smithandnoble.com



Table of Contents

<i>Step 1</i> -	Getting Started	3
<i>Overview</i> -	Dual Shade with Loop Control.	4
<i>Step 2</i> -	Mounting the Brackets	5
<i>Step 3</i> -	Hanging the Shade	6
<i>Step 4</i> -	Installing Cord Tensioner	7
<i>Step 5</i> -	Operating the Shade	8
Optional –	Skew Adjustment	9
	Troubleshooting	10
	Care & Cleaning Instructions	10
	Safety	10
Warranty	Back Cover	

Getting Started

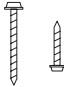
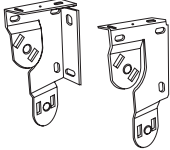
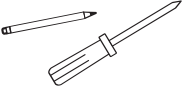
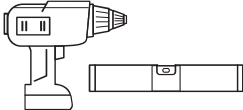
First, make sure you have all the parts and tools required to install your shades.

ALL THE HARDWARE YOU'LL NEED:

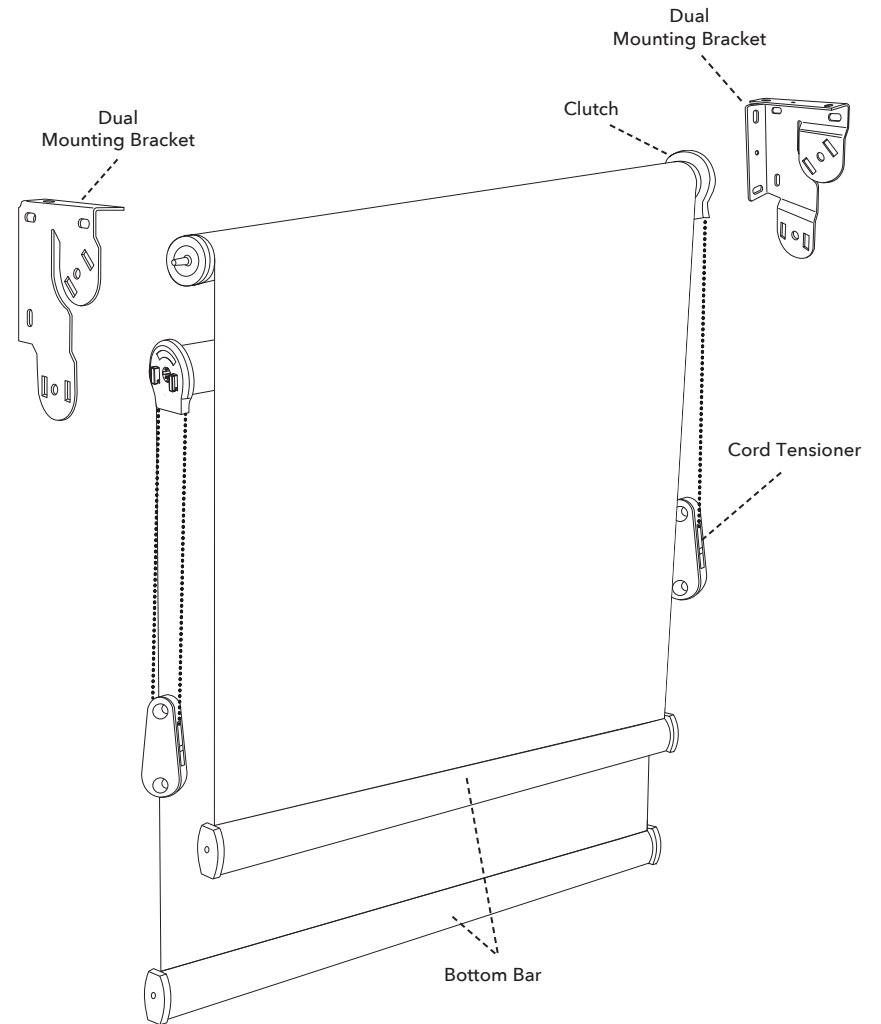
Pencil, screw-driver, ¼" nut driver, level, and a drill with a ¼" drill bit.

Then find wooden studs where you'll want to attach the brackets; if you need to mount your shades to wallboard or plaster, use a secure fastener designed for hollow wall applications. For metal surfaces, pre-drill holes and use the included screws. For concrete, stone, brick, or tile surfaces, use a masonry drill and appropriate plugs, anchors, or screws.

It's important when selecting a fastener to make sure it's designed to support the weight of the shade. Follow the fastener manufacturer's instruction from there on out.

 <p>SCREWS</p>	 <p>DUAL SHADE MOUNTING BRACKETS</p>
 <p>PENCIL & SCREWDRIVER (NOT INCLUDED)</p>	 <p>POWER DRILL & LEVEL (NOT INCLUDED)</p>

Dual Shade with Loop Control - No Headrail

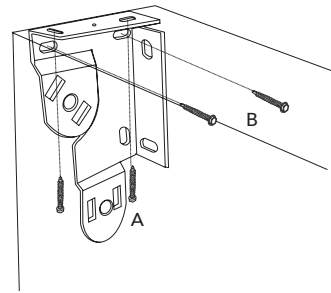


Step 2 – Mounting Brackets

Inside Mount

The installation brackets are always mounted so that the short legs face in. Brackets must be in line and level. Shim brackets on inside mounts if necessary. The roller must be level for the shade to operate properly.

Attach each bracket using two screws either up through the top (A) or through the side (B).



No Headrail Brackets

Step 3 – Hanging the Shade

Hanging Shades

Once the brackets are secured and level, the fabric roll can be inserted. Make sure your hands are clean to avoid soiling the fabric.

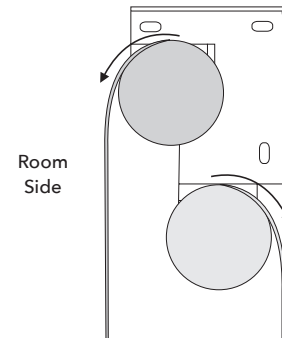
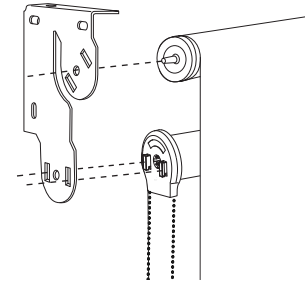
Be sure the clutch and roller end plug are inserted into the roller. Hold the shade with the bottom of the clutch facing the floor, and the beaded cord hanging straight down. Be sure the shade is fully rolled on the tube.

Insert the spring loaded pin end into the round hole of the bracket.

Push the clutch end toward the pin end to compress the spring. The pin should compress half way in for best fit. Line up the hooks on the clutch with the two slots in the bracket. Allow the spring to release and let the hooks go into the slots.

Once the two hooks are through the slots, gently pull down on the clutch until the hooks lock securely to the bracket.

Make sure that the fabric on the lower shade rolls off the back of the roller (standard roll) and that the fabric on the upper front shade rolls off the front of the roller (reverse roll).



Step 4 – Installing Cord Tensioner

Installing Cord Tensioner

Your window shade has arrived with a cord tensioner to comply with current child safety standards. The cord tensioner must be mounted and secured before the window shade will operate correctly.

Before doing anything, you must first slide the tension device to the bottom of the bead chain.

While holding the tension device in one hand, pull the plunger away from the bead chain with the other hand. Lift the bead chain out of the bead locking groove and slide the tension device to the bottom of the chain loop.

Pull the tension device down until the bead chain is fully tensioned (plunger will be at the top) and then move the tension device up approximately $\frac{1}{8}$ ".

Mark the screw hole locations on the wall with a pencil.

INSIDE MOUNT

If mounting into wood, pre-drill screw holes and then install the tension device using the 2 large screws provided.

If not securing into wood, use appropriate anchors for the substrate and follow anchor manufacturer's instructions.

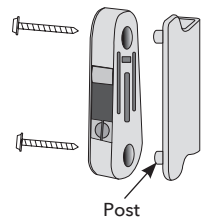
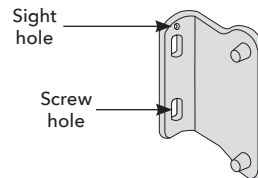
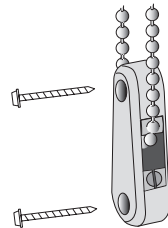
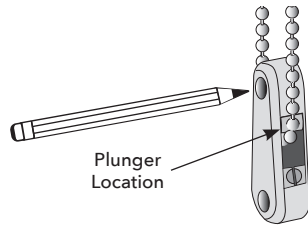
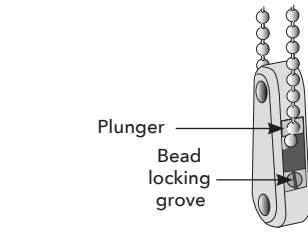
OUTSIDE MOUNT

Align the mounting bracket sight holes with the pencil marks.

If mounting into wood, pre-drill screw holes and then install the mounting bracket using the 2 large screws provided.

If not securing into wood, use appropriate anchors for the substrate and follow anchor manufacturer's instructions.

Press the tension device onto the mounting bracket posts. Carefully install the 2 small screws provided, through the tension device into the mounting bracket using a phillips head screwdriver. **DO NOT OVER-TIGHTEN.**

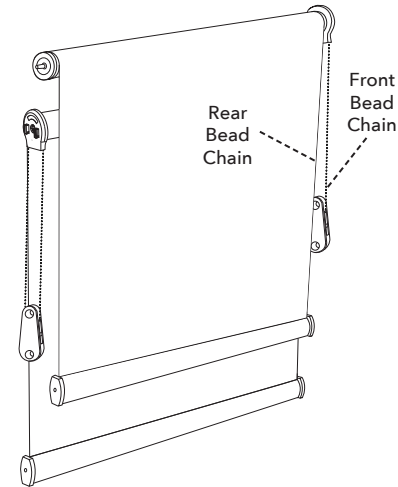


Step 5 – Operating the Shade

Loop Control

Opening and closing your new Smith & Noble shades is entirely hassle-free. On the back shade, pull the rear bead chain to lower the shade and, pull the front bead chain to raise.

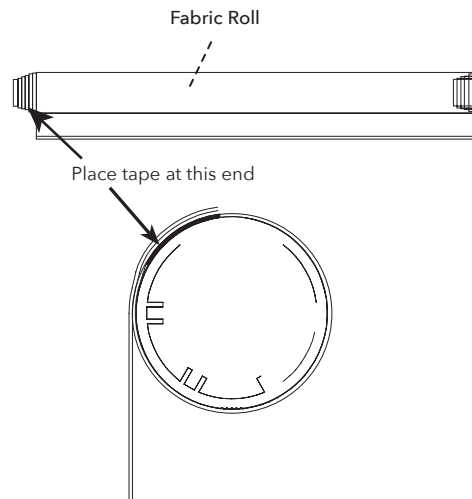
On the front shade, pull the front bead chain to lower the shade and pull the back bead chain to raise.



Skew Adjustment

If the shade does not raise evenly, first make sure the mounting brackets are mounted level with each other.

If the shade is level and it still skews, operate the shade to the full down position. Prepare a strip of masking tape approximately 5" long. On the side of the shade opposite of the skewing direction, and as close to the end of the roller as possible, lift the fabric toward the back of the shade using your fingers and slide the tape with the sticky side facing the roller up as far as possible. The tape is to be running parallel to the roller.



Roll the shade up and check for skewing. If the shade is still skewing, add another strip of tape on top of the first one. If the shade is now skewing in the opposite direction, tear off about 1" of tape from the last strip installed. The tape is to be torn from the end closest to the center of the shade.

If these suggestions don't work, then please give us a call or visit our website.

PROBLEM	SOLUTION
The shade fabric does not roll up evenly	Make sure the mounting brackets are aligned and level with one another.
The shade will not raise	The shade may be caught on an obstruction such as a window crank or latch; if this is the case feel free to untangle.

If these suggestions don't work, then please give us a call or visit our website.

Care & Cleaning/Safety

Care & Cleaning

Use brush or dust head attachment. Occasional light vacuuming with a soft bristle attachment or gentle feather dusting is all that is required to keep your shades looking fresh and neat.

Safety First. Style Second To None™.

Great style should never come at the cost of safety. Every Smith & Noble window treatment conforms strictly to today's safety standards, including permanent tie-down devices and built-in cord stops. To protect young children and pets, Loop Control works with a cord tensioner, which must be mounted to your window frame or wall. The shade or blind will not work if the cord tensioner is not mounted.



Child Safety

Warranty Service

The enjoyment of your window coverings should be everlasting, which is why our products come with a limited lifetime warranty. The warranty applies to the original owner, requires a proof of purchase and covers defects in material or craftsmanship. Shades or blinds must have been properly installed. We reserve the right to determine if your window covering warrants a repair or a replacement. In need of warranty service? Call us at **800.248.8888** and we'll arrange for a repair or replacement ASAP.
